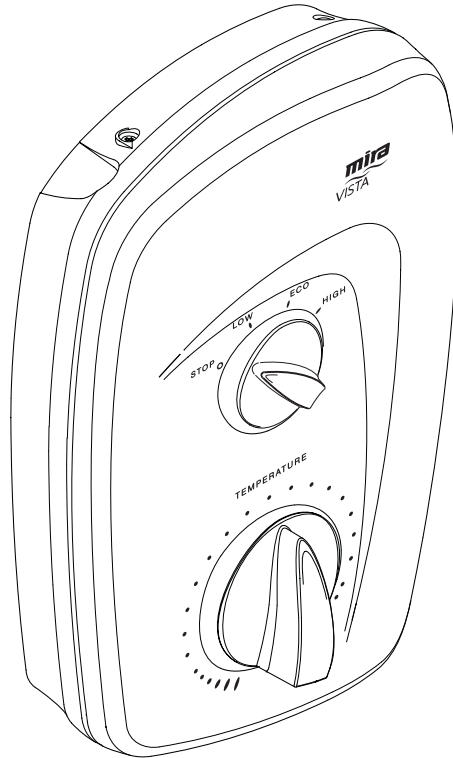


mira VISTA



MIRA VISTA

ELECTRIC SHOWER

Installation and User Guide

These instructions are to be left with the user

CONTENTS

| | |
|---|-----------|
| Introduction | 3 |
| Important Safety Information | 4 |
| Pack Contents | 6 |
| Specifications | 7 |
| Dimensions..... | 7 |
| Wiring Diagram..... | 7 |
| Plumbing | 8 |
| Electrical..... | 8 |
| Standards and Approvals | 8 |
| Flow Rate Graph | 8 |
| Installation Requirements | 9 |
| Plumbing | 9 |
| Electrical..... | 11 |
| Installation | 12 |
| Commissioning | 15 |
| Operation | 16 |
| Fault Diagnosis | 18 |
| Maintenance | 22 |
| Cleaning | 22 |
| Cleaning the Inlet Filter | 22 |
| Spare Parts | 23 |
| Customer service | 24 |

If you experience any difficulty with the installation or operation of your new shower control, then please refer to “**Fault Diagnosis**”, before contacting Kohler Mira Limited. Our telephone and fax numbers can be found on the back cover of this guide.

INTRODUCTION

Thank you for purchasing a quality Mira Vista Electric Shower. To enjoy the full potential of your new shower, please take time to read this guide thoroughly, and keep it handy for future reference.

Products manufactured by Kohler Mira Ltd are designed to be safe provided, that they are installed used and maintained in good working order, in accordance with our instructions and recommendations.

Follow all warnings, cautions and instructions contained in this guide, and on or inside the shower.

The Mira Vista electric showers have separate controls for power selection and for temperature/flow adjustment. A unique flow regulator stabilises any temperature changes caused by water pressure fluctuations, which can result from taps being turned on or off or toilets being flushed.

When this shower has reached the end of its serviceable life, it should be disposed of in a safe manner, in accordance with current local authority recycling, or waste disposal policy.

Products covered by this guide:

Mira Vista 8.5 kW 240 V AC (7.8 kW 230 V AC) heater. Available in a white finish.

Mira Vista 9.5 kW 240 V AC (8.7 kW 230 V AC) heater. Available in a white finish.

Guarantee

For domestic installations, Mira Showers guarantee the Mira Vista against any defect in materials or workmanship for a period of two years from the date of purchase (shower fittings for one year).

For non-domestic installations, Mira Showers guarantee the Mira Vista against any defect in materials or workmanship for a period of one year from the date of purchase.

For terms and conditions refer to the back cover of this guide.

Recommended Usage

| | |
|------------------|---|
| Domestic | ✓ |
| Light Commercial | x |
| Heavy Commercial | x |
| Healthcare | x |

Design Registration

| | |
|----------------------------|--|
| Design Registration | |
| 000165071-0011/0012 | |

IMPORTANT SAFETY INFORMATION

WARNING

TO REDUCE THE RISK OF FIRE, ELECTRIC SHOCK OR INJURY:

1. Installation of this shower must be carried out in accordance with these instructions, and must be conducted by competent personnel.
2. Isolate the electrical and water supplies before commencing installation. The electricity must be switched off at the consumer unit and the appropriate circuit fuse removed, if applicable.
3. The electrical installation must comply with BS 7671 (commonly referred to as the IEE Wiring Regulations) and all relevant building regulations, or any particular regulation or practice specified by the local electricity supply company.
4. The plumbing installation must comply with all national or local water regulations and all relevant building regulations, or any particular regulation or practice specified by the local water supply company.
5. This shower is intended to be permanently connected to the fixed electrical wiring of the mains system. A separate supply must be provided from the consumer unit to the shower.
6. This shower must be provided with means for disconnection that is incorporated into the fixed wiring in accordance with the relevant local wiring regulations. The isolating switch must be local to the appliance and may be a ceiling mounted pullcord type or a wall mounted switch fitted in an appropriate zone area.
7. In accordance with BS7671 a 30mA Residual Current Device (RCD) **must** be fitted. This may be part of the consumer unit or a separate unit.
8. This shower must be earthed. Ensure any supplementary bonding complies with the relevant regulations.
9. Ensure all electrical connections are tight, to prevent overheating.
10. This shower must not be fitted where it may be exposed to freezing conditions. Ensure that any pipe-work that could become frozen is properly insulated.
11. This shower is not suitable for areas with high humidity or temperature (i.e. steam rooms and saunas).
12. Mains connections are exposed when the cover is removed, only a competent person should remove the front cover. We recommend any maintenance work is carried out by a Mira Service Engineer or suitably qualified tradesperson. There are no user serviceable parts inside the shower.
13. **DO NOT** switch on if water leaks from the main enclosure. Isolate the electrical supply to the shower immediately.
14. **DO NOT** switch on if there is a possibility that the water in the shower is frozen.
15. The outlet must not be connected to any tap, outlet control or showerhead other than those specified for use with this shower. Only Kohler Mira recommended accessories should be used.

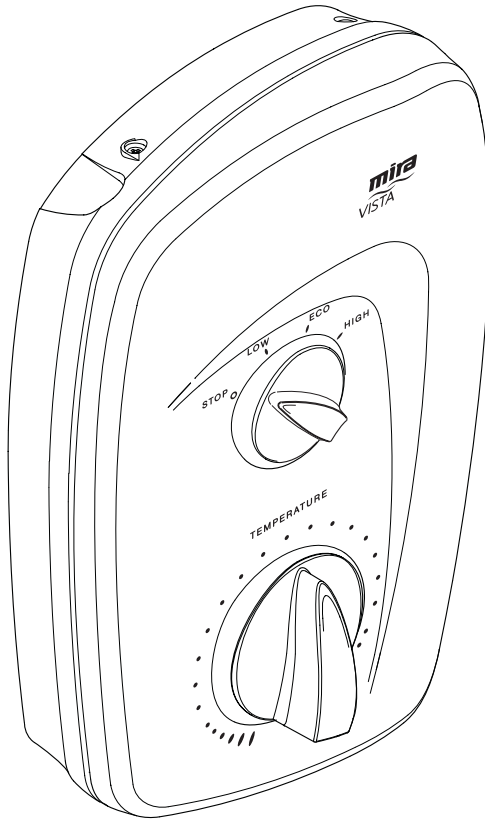
16. Electric showers can deliver scalding temperatures if not operated, installed or maintained in accordance with the instructions, warnings and cautions contained in this guide and on or inside the shower.
17. Rapid or excessive operation of the shower controls may result in high or unstable outlet water temperatures. Operate controls gradually and allow 10-15 seconds to stabilise checking the temperature before entering the shower.
18. This shower is not intended for use by persons (including children) with reduced physical, sensory or mental capabilities, or lack of experience and knowledge, unless they have been given supervision or instruction concerning the use of the shower by a person responsible for their safety.
19. Children should be supervised to ensure that they do not play with the shower.
20. Always switch off the shower at the electrical isolating switch when not in use.
21. The showerhead must be de-scaled regularly.
22. **DO NOT** allow the handset to spray water directly on to the shower. Eg. When cleaning shower control.
23. If the shower is not to be used for a long period, the water supply to the shower must be isolated. If the shower or pipe-work is at risk of freezing during this period, they should also be drained of water.

If any of the following conditions occur, isolate the electricity and water supplies and refer to “To contact us”, on the back page of this guide.

- If the cover is not correctly fitted and water has entered the shower case
- If the case is damaged
- If the shower begins to make an odd noise, smell or smoke
- If the shower shows signs of a distinct change in performance indicating a need for maintenance
- If the shower is frozen

PACK CONTENTS

Tick the appropriate boxes to familiarise yourself with the part names and to confirm that the parts are included.



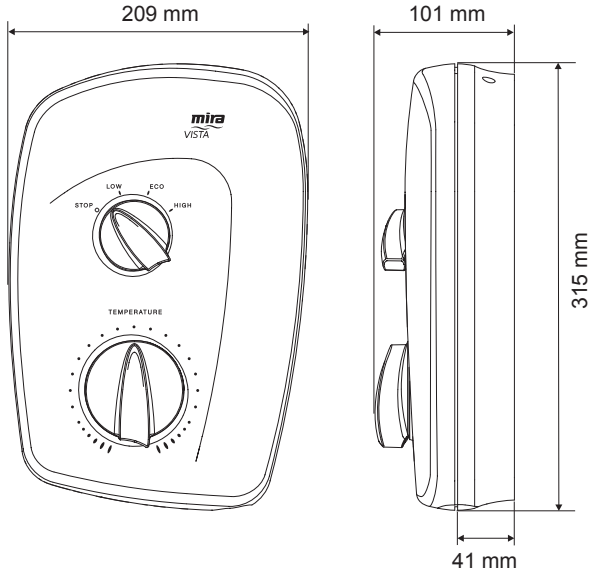
1 x Mira Vista Electric Shower

Documentation

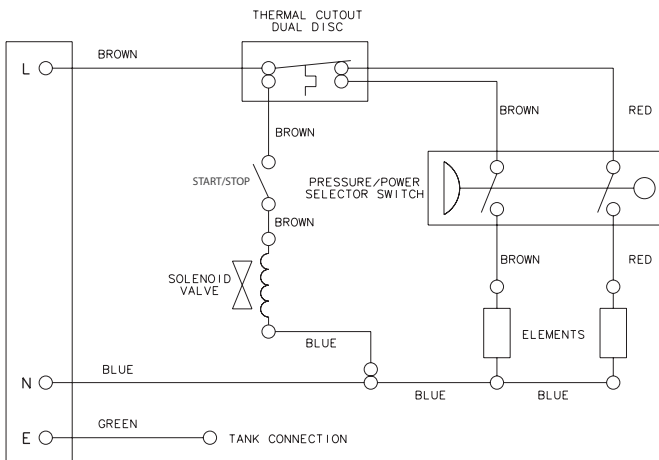
1 x Guarantee Brochure

SPECIFICATIONS

Dimensions



Wiring Diagram



Plumbing

1. Minimum maintained inlet pressure for satisfactory operation: 70 kPa (0.7 bar).
2. Maximum static inlet pressure: 1000 kPa (10 bar).
3. Minimum static pressure to keep the flow valve closed: 50 kPa (0.5 bar).

Electrical

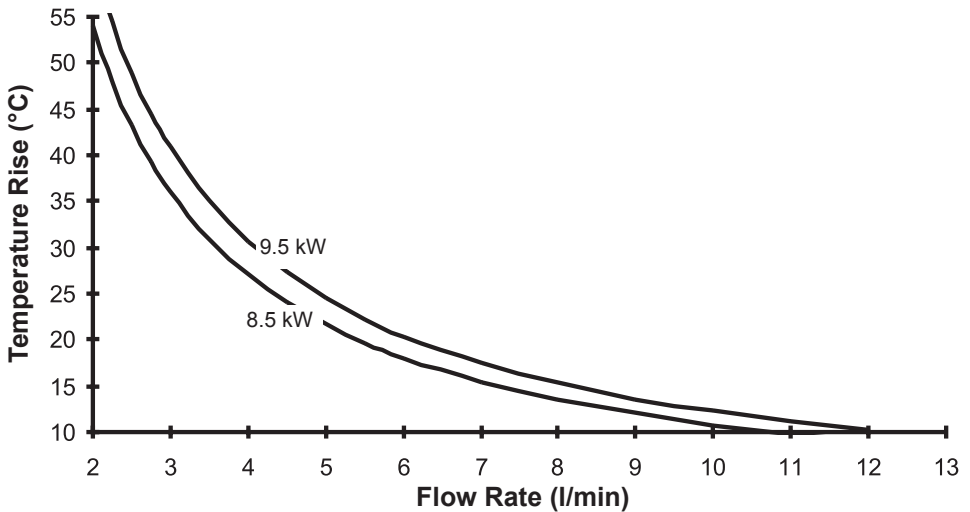
1. The appliance requires a 40 Amp fuse.
2. The terminal block will accept cable up to 16 mm².
3. The Mira Vista is suitable for installation within zone 1 and is rated IPX4.

Standards and Approvals

1. This Mira Vista shower complies with all the relevant directives for CE marking.

Flow Rate Graph

1. These curves are for the specified outputs at 240 V.
2. All appliance heating elements have a manufacturing tolerance. Flow rates may be above or below those shown on the flow rate graph.
3. The left-hand axis shows temperature rise.
Temperature rise = (Showering temperature) - (Supply water temperature)



Example: For the Mira Vista 8.5 kW on full power setting with an incoming water supply at 10°C and a showering temperature at 42°C, the temperature rise is 32°C. The flow rate is therefore, 4 l/min.

INSTALLATION REQUIREMENTS

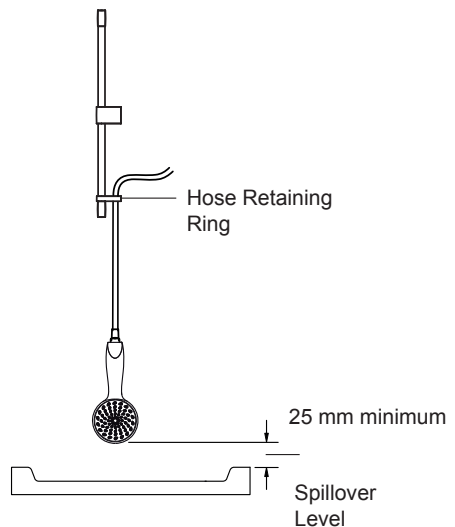
Plumbing

1. The Mira Vista 8.5 kW and 9.5 kW electric shower is designed to operate with a **minimum maintained inlet pressure of 70 kPa (0.7 bar)** up to a **maximum static inlet pressure of 1000 kPa (10 bar)**.
2. The appliance is normally connected to the cold water mains-fed supply. However, the water supply can be taken from a cold water storage cistern, provided there is a minimum maintained inlet head of water of 7 metres (the vertical distance from the base of the cold water storage cistern to the shower fitting handset). To reduce pressure losses and fluctuations, the cistern-fed water supply must be independent from other supply draw-offs, and should avoid long horizontal pipe runs and use swept bends rather than 90° elbows. For further advice please refer to the back cover of this guide for Mira Showers contact telephone and fax numbers.
3. The appliance is suitable for installation within the shower area. It is fitted with a pressure relief device and must be positioned over a water catchment area with the controls at a convenient height for the user. The shower fitting should be positioned so that it discharges down the centre line of the bath, or across the opening of a shower cubicle, and must be directed away from the appliance.
4. The appliance is fitted with an inlet connector assembly that is designed to accept plumbing supplies from the top or bottom. The water supply can be fed with 15 mm pipe or 10 mm microbore pipe, suitably adapted into the inlet connector assembly. If 10 mm microbore is used, then an allowance for increased pressure loss must be made to ensure that the minimum maintained inlet pressure is achieved.
5. **Do not** fit the appliance to the wall and tile up to the case. The appliance must be fitted onto a finished flat and even wall surface. Otherwise, difficulty may be encountered when fitting the cover, and subsequent operation of the unit could be impaired (small pillars moulded on to the back of the case allow air circulation).
6. Use only the inlet connector assembly supplied with the appliance. **Do not** use any other types of fitting.
7. Refrain from applying excessive force when making any connections. Always provide mechanical support when making the plumbing connections.
8. This appliance is not designed to be plumbed directly from the rear. For a rear-entry supply, add an elbow to the supply pipe and connect it as a rising or falling supply.
9. **Do not install the appliance in a position where it may become frozen.** The shower unit must not be fitted where it may be exposed to freezing conditions. The shower unit must not be used if you suspect it may be frozen.

10. We recommend that a non-restrictive (free-flowing) isolating valve is fitted in the cold water supply pipe to allow the complete maintenance of the appliance. **Do not** use a valve with a loose washer plate (jumper) as this can lead to a build up of static pressure.
11. To avoid damage to the case when soldered fittings are used, pre-solder the pipework and fittings before connecting them to the inlet stub.
12. Supply pipework **MUST** be flushed to clear debris before connecting the appliance.
13. The appliance is fitted with a 1/2" BSP male outlet thread, to accept a Mira Vista shower hose.
14. When installed in very hard water areas (above 200 ppm temporary hardness) your installer may advise the installation of a water treatment device, to reduce the effects of limescale formation. Appliance malfunction due to excessive limescale formation is not covered by the manufacturer's guarantee. Your local water company will be able to advise on the hardness of water in your area.

15. A hose retaining ring is supplied to prevent the handset from dropping below the spillover level of the bath or shower, which could lead to contamination from back-siphonage. The supplied hose retaining ring should meet the majority of user requirements for shower installations with flexible outlet fittings. However, there will be occasions when the hose retaining ring will not provide a suitable solution. In these instances an outlet double checkvalve **must** be fitted. This will increase the required supply pressure typically by 10 kPa (0.1 bar).

Double checkvalves, fitted in the inlet supply to the appliance, cause a pressure build-up, which could exceed the maximum static inlet pressure for the appliance.



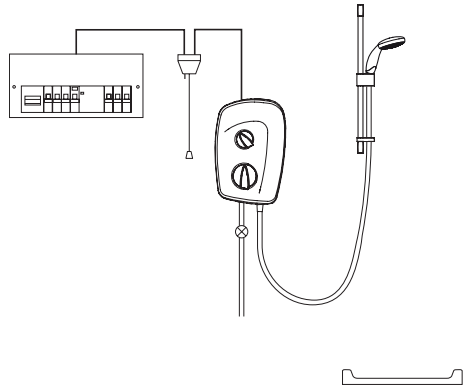
16. Avoid layouts where the shower hose will be sharply kinked. This may reduce the life of the hose.

Electrical

1. In a domestic installation, the rating of the electricity supply company fuse and the consumer unit must be adequate for the additional demand. This is a high-power appliance, and it is essential to contact your electricity supply company to ensure that the supply is adequate for the appliance. Voltage drop due to local heavy demand will reduce the performance of the shower.
2. The appliance **must be earthed** by connecting the supply-cable earth conductor to the earth terminal.

Supplementary bonding: Within the bathroom or shower room, all accessible conductive parts of electrical equipment and extraneous conductive parts that are likely to introduce earth potential, must be electrically bonded to earth using a minimum cable size of 4.0 mm² if the cable is not mechanically protected (2.5 mm² if mechanically protected).

3. The minimum cable size (cross-sectional area) must conform to BS 7671.
4. To obtain full advantage of the power provided by this unit, use the shortest possible cable route from the consumer unit to the shower.
5. A 30 mA residual current device (RCD) **must** be fitted. This may be part of the consumer unit or a separate unit.
6. A separate, permanently connected supply must be taken from the consumer unit to the appliance through a double-pole switch, which has a minimum 3 mm contact separation. The switch can be a ceiling mounted pull-cord type within the shower room, or a wall mounted switch in an adjacent room.
7. **DO NOT** twist the individual cable cores of the live and neutral conductors, as this will prevent them from entering the terminal block.
8. **DO NOT** exert strain on the terminal block.
9. **DO NOT** turn-on the electrical supply until the plumbing has been completed.



Plumbing and Electrical Schematic

INSTALLATION

Warning! Isolate the electrical and water supplies before installing the shower.

1. Remove the three screws that hold the cover on the shower and remove the cover.
2. Decide on a suitable position for the appliance (minimum distance of 200 mm from the ceiling to allow for cover fit and removal). The position of the appliance and the shower fittings must provide a minimum gap of 25 mm between the spill-over level of the shower tray/bath and the handset. This is to prevent backsiphonage
3. Place the shower in the required position on the wall and mark the positions of the **three** fixing holes in the shower case. Ensure that there are sufficient lengths of supply pipe and electrical cable to reach the connection points.
4. Remove the shower and drill three holes to suit appropriate fixing screws and wall plugs.

Caution! Do not drill into cables or pipes in the wall.

5. Thoroughly flush the supply pipe.

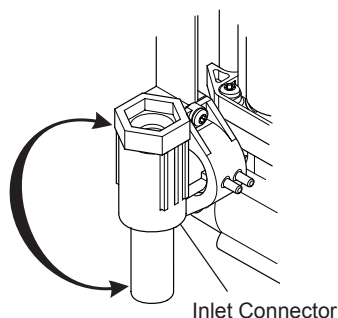
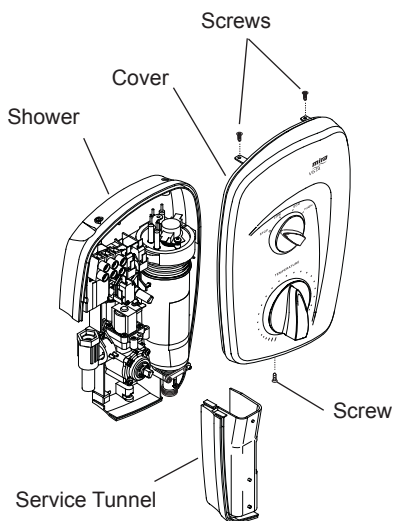
6. On the shower, turn both knobs to the full anti-clockwise position.

7. Remove the service tunnel from the shower.

8. Determine the direction of the incoming water supply: falling (entering the shower from the top), or rising (entering the shower from the bottom).

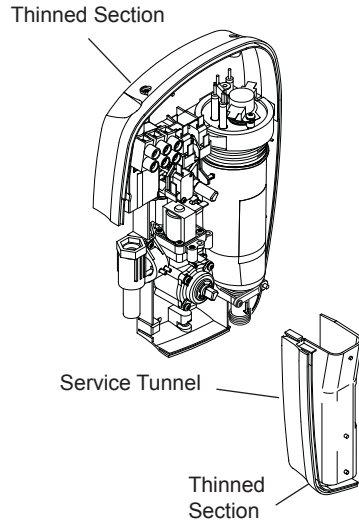
Do not use an incoming supply entering the shower directly from the back. Add an elbow to the supply pipe and connect it as a rising or falling supply.

9. Rotate the inlet connector to suit the direction of the incoming water supply.

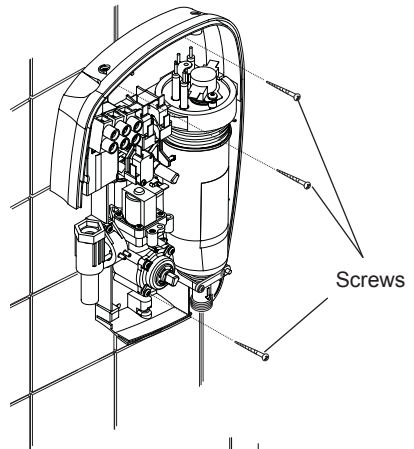


10. The case has thinned sections that can be removed to allow entry of the supply pipe and electrical cables. Remove the top thinned section of the case for a falling supply, or remove the bottom thinned section of the service tunnel for a rising supply.

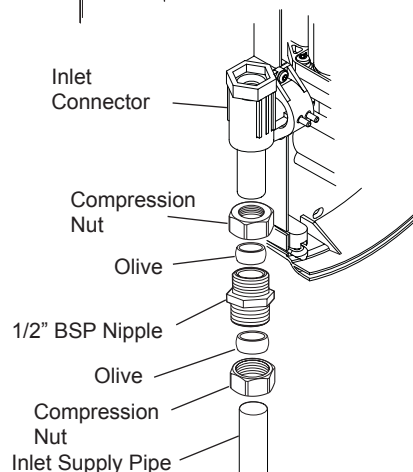
11. Do not remove any case sections if the electrical cables enter from the back.



12. Secure the shower to the wall.



13. Connect the inlet supply pipe to the inlet connector using a 1/2" BSP nipple with compression nuts and olives (shown) or a push-fit connector.



14. Bring the electrical cables into the case.

15. Strip back sufficient of the outer cable insulation to enable routing to terminal block.

16. Fit an earth sleeve to the earth wire.

17. Loosen the screws in the terminal block and insert the bare wires into the clamps.

L (Live) = Brown wire

⊕ E (Earth) = Green sleeved wire

N (Neutral) = Blue wire

Note! Do not twist the cores of the wires or strain the cables to make them reach the terminal block.

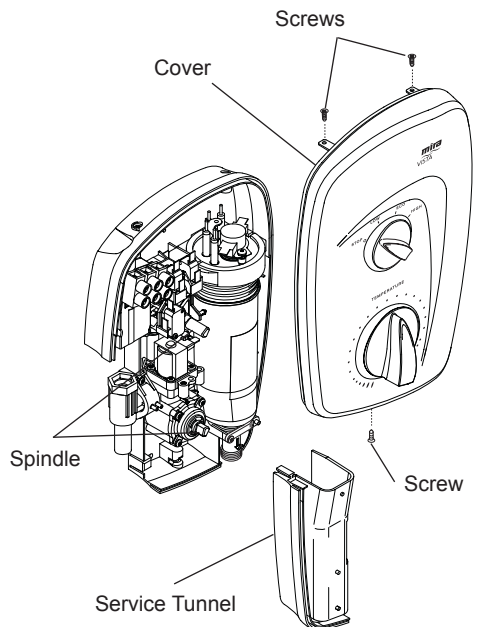
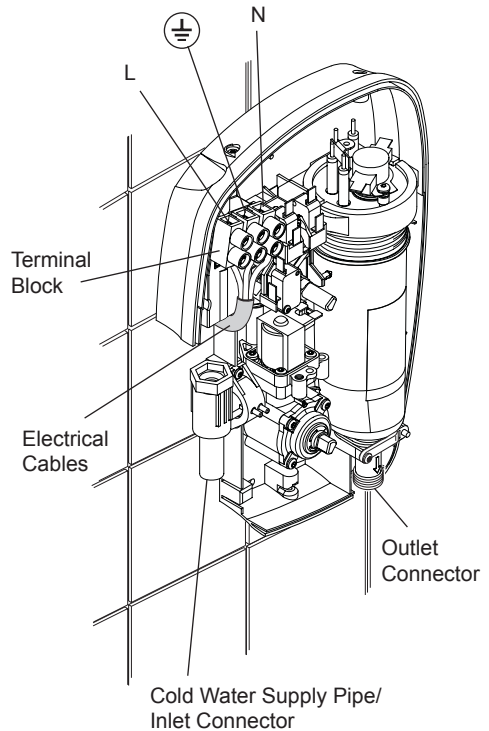
18. Connect the conductors firmly into the terminal block. Make sure that the bare cores of each conductor are securely trapped within each conductor clamp.

19. If necessary, fit an earth bonding clamp to the supply pipe and ensure that the bonding complies with the relevant regulations in force at the time of installation.

20. Replace the service tunnel.

21. Replace the cover. If the cover does not fit easily, rotate the knobs slightly so that they fit onto the spindles. Do not force the cover.

22. Tighten the three cover screws.



COMMISSIONING

If you are unsure how electric showers work, please read through the **Operation** section before continuing.

1. Make sure that the **TOP** control knob is in the '**STOP**' position and that the electrical supply has been isolated.
2. Turn the **BOTTOM** control knob fully anticlockwise to the full cold position.
3. Turn the water supply fully on at the isolating valve, check that water is not leaking from the bottom of the case.
4. Switch on the electrical supply at the double pole switch.
5. Turn the **TOP** control knob to the '**LOW**' position. Check that water flows freely from the shower within a few seconds. If not, refer to the **Maintenance** section. The water from the handset will be at full force and at a cool temperature.
6. Turn the **BOTTOM** knob slowly clockwise. As the knob is rotated the flow will be reduced and the temperature will remain cool - this shows that the flow regulator assembly is operating correctly. Return the knob anticlockwise to full cold position.
7. Turn the **TOP** knob to the '**ECO**' position. The temperature of the water should rise slightly. Allow a few seconds for the warm water to reach the handset - this shows that the '**ECO**' power setting is operating correctly.
8. Turn the **TOP** knob to the '**HIGH**' position. The temperature of the water will rise further - this shows that the full power setting is operating correctly.
9. Set the shower temperature by rotating the **BOTTOM** knob as necessary. Turn the knob clockwise for hotter water and anticlockwise for cooler water.
Note! When the temperature is changed the flow rate will change.
10. When the required temperature is reached, turn to the **STOP** position to stop the flow. Water may continue to flow from the handset for a few moments during shut-down, as water is purged from the tank. Isolate the power at the double pole switch.
11. A small amount of water may be retained in the shower fitting after the shower control has been turned off. This may drain over a few minutes.
Note! A slight hissing sound may be heard from the appliance during operation. High mains water pressure and high shower temperatures will effect the tone. This is quite normal when the shower is in use.

OPERATION

Advice to Users

Note! Read the **Important Safety Information** section first.

Warning! The spray plate holes must be kept clear. Lack of regular spray plate cleaning will lead to poor performance and cause early failure of the appliance. See the shower fittings User Guide for more information.

1. Electric showers work by taking in cold water and passing it over the heating elements contained in the tank inside the shower.
2. The showering temperature is adjusted by turning the temperature control knob, which varies the flow of cold water across the elements. The slower the rate of flow, the warmer the water, and vice versa. The holes in the spray plate of the shower handset should always be kept clean to maintain a consistent flow and stable shower temperatures.
3. The appliance is designed to stabilise temperature changes caused by water pressure fluctuations. These fluctuations can be caused by taps being turned on or off, or toilets being flushed. Under such conditions, average shower temperatures will be held within a 6°C range, provided that the minimum required pressure is maintained.
4. Seasonal changes in the temperature of the incoming cold water supply and/or fluctuations in mains electrical voltage will effect the temperature of the water. Adjust the temperature knob as necessary to compensate.
5. The shower requires a minimum maintained/running pressure of 70 kPa (0.7 bar) to operate. At pressures above 70 kPa (0.7 bar), the shower will minimise the temperature fluctuations caused when other draw-off points are used. If the flow rate drops below an acceptable level, the heating element inside the shower will turn off, resulting in a cold shower.
6. If the water temperature reaches an unsafe level, the thermal switch assembly turns off the heating elements. As the water temperature falls the elements will be turned on. The switch will cycle on/off/on if the flow rate is not increased and the temperature of the shower reduced.
7. Check the shower temperature before entering the shower. The previous user may have selected a **different** temperature setting.
8. When the shower is first turned on, or the temperature setting is changed, there will be a slight delay before the water temperature changes.

Operation Instructions

To turn the shower on

1. Switch on the electrical supply at the double pole switch.
2. Turn the power knob to **High**. Wait 15-20 seconds for warm water to reach the handset.

For electrical economy, set the power knob to **ECO**. This setting will provide sufficient power when the supply water temperature is warmer, such as in the summer.

For an unheated shower, set the power knob to **Low**.

To set the shower temperature

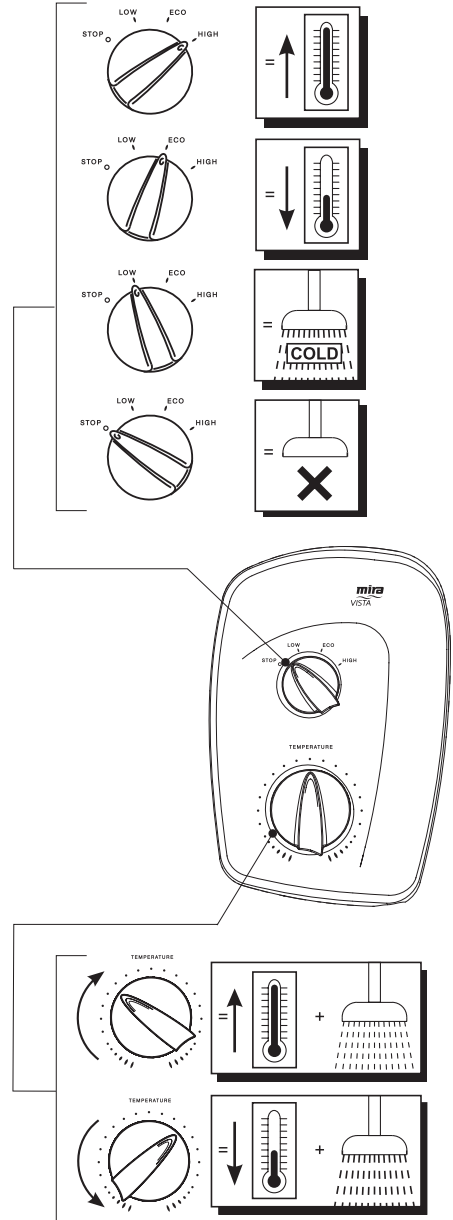
1. Set the shower temperature by rotating the temperature knob as necessary. Turn the knob clockwise for hotter water and anticlockwise for cooler water. Wait 10–15 seconds for the adjusted temperature to reach the handset.

Note! It is normal for the flow rate to change when the temperature is changed.

Note! If the water temperature cycles between hot and cold, the temperature is set too high. This is causing the thermal switch to turn off the heating element to reduce the water temperature. Turn the temperature knob anticlockwise to reduce the water temperature.

To turn the shower off

1. Turn the power knob to **Stop**.
Note! A small amount of water may continue to flow from the handset for a few moments.
2. **Switch off** the electrical supply at the double pole switch.



FAULT DIAGNOSIS

The troubleshooting information tabled below gives you details on probable causes and remedies should difficulties be encountered whilst the shower is in operation.

Warning! There are no user serviceable components beneath the cover of the appliance.

ONLY A COMPETENT TRADESPERSON SHOULD REMOVE THE FRONT COVER!

| Malfunction | Cause | Remedy |
|--|--|---|
| Shower is too hot during the summer. | The incoming water is warmer in the summer, so the shower power setting is too high. | Turn the power knob to ECO and adjust the temperature knob until the desired temperature is reached. |
| Shower is too hot. | The handset sprayplate is blocked. | Regularly clean the handset sprayplate. Refer to the Maintenance section of the handset manual. |
| Turning the temperature knob does not affect the water temperature. | The handset sprayplate is blocked. | Remove and clean the handset sprayplate. Refer to the Maintenance section of the handset manual. If the fault persists, contact the shower installer. |
| The water continues to flow when the double pole switch is turned off. | Broken diaphragm. | Contact your installer to replace the flow valve assembly. |
| No water or very low flow rate. | The handset sprayplate is blocked. The incoming water supply stop valves, or the appliance isolating valve, is closed. The hose or handset is blocked. | Clean the handset sprayplate. Refer to the Maintenance section of the handset manual. Open the stop/isolating valve completely. Clear the blockage or replace the hose or handset. |

| Malfunction | Cause | Remedy |
|---|--|--|
| | <p>The power is off at the double pole switch.</p> <p>The fuse is blown or the MCB/RCD has been tripped, indicating a possible electrical fault.</p> | <p>Switch on the power at the double pole switch.</p> <p>Renew the fuse or reset the MCB/RCD. If the fault persists, contact the shower installer.</p> |
| <p>No hot water from shower, with the knobs in any position.</p> | <p>Other water outlets are being used during showering, causing the water pressure to drop below the minimum required.</p> <p>The water pressure is below the minimum required.</p> <p>Failure of pressure switch, micro switch or thermal switch.</p> | <p>Make sure the other water outlets, such as the washing machine or dishwasher, are not in use during showering.</p> <p>Make sure that the incoming water supply stop and the isolating valve are completely open. If the fault persists, contact the shower installer.</p> <p>Contact installer to replace faulty parts.</p> |
| <p>Temperature cycles between hot and cold.</p> | <p>The temperature is set too high. This is causing the thermal switch to turn off the heating element to reduce the water temperature.</p> | <p>Turn the temperature knob anticlockwise to reduce the water temperature.</p> |
| <p>ALL OF THE FOLLOWING REMEDIES MUST ONLY BE PERFORMED BY A COMPETENT TRADESPERSON!</p> | | |
| <p>No hot water from shower, with the knobs in any position.</p> | <p>Insufficient water supply pressure.</p> <p>Failure of the pressure switch, microswitch or thermal switch.</p> <p>An internal wiring connection has failed.</p> <p>One of the heater tank elements has failed.</p> <p>Switch assembly diaphragm fault, water dripping from the unit.</p> | <p>Contact the local water authority.</p> <p>Check the continuity of the switches, using a suitable continuity measuring device.</p> <p>Replace the switches as necessary.</p> <p>Check the integrity of the internal wiring.</p> <p>Replace the heater tank.</p> <p>Replace switch assembly.</p> |

| Malfunction | Cause | Remedy |
|---|---|---|
| Shower temperature cycles between hot and cold. | The temperature is set too high. This is causing the thermal switch to turn off the heating element to reduce the water temperature. | Turn the temperature knob anticlockwise to reduce the water temperature. DO NOT TAMPER with the thermal switch. |
| Turning the temperature knob does not affect the water temperature. | The flow regulator is faulty. The handset sprayplate is blocked. | Replace the flow regulator. Remove and clean the handset sprayplate. Refer to the shower fittings User Guide. If the fault persists, contact Customer Services. |
| No water or very low flow rate. | <p>The handset sprayplate is blocked.</p> <p>The incoming water supply stop valves, or the appliance isolating valve, is closed.</p> <p>The hose or handset is blocked.</p> <p>Insufficient water supply pressure.</p> <p>The heater tank is excessively scaled.</p> <p>The pilot valve is faulty.</p> <p>The inlet filter is blocked.</p> <p>The power is not turned on at the double pole switch.</p> <p>The fuse is blown or the MCB/RCD has been tripped, indicating a possible electrical fault; for example, heater tank element failure.</p> | <p>Regularly clean the handset sprayplate. Refer to the Maintenance section of the handset manual.</p> <p>Open the stop/isolating valve completely.</p> <p>Clear the blockage or replace the hose or handset.</p> <p>Contact the local water authority.</p> <p>Replace the heater tank.</p> <p>Replace the flow regulator assembly.</p> <p>Clean the inlet filter. See the Maintenance: Cleaning the Inlet Filter section.</p> <p>Switch on the power at the double pole switch.</p> <p>Renew the fuse or reset the MCB/RCD. If the fault persists, contact Customer Services. Replace the heater tank.</p> |

| Malfunction | Cause | Remedy |
|--|--|---|
| <p>Water leaks from the bottom of the case near the outlet, and there is no flow from the handset.</p> | <p>The pressure relief valve in the tank has been triggered, (the shower has a pressure relief valve assembly that works to reduce the damage if the outlet is blocked or the unit is frozen).</p> <p>When the relief valve operates a small rubber ball is ejected.</p> | <p>Resolve the blocked outlet, and replace the tank assembly.</p> |
| <p>The water cannot be turned off.</p> | <p>The pilot valve is faulty.</p> <p>Broken diaphragm.</p> <p>The supply pressure is below the minimum requirement.</p> | <p>Replace the flow regulator assembly.</p> <p>Replace the flow regulator assembly.</p> <p>Contact the local water authority.</p> <p>Check the static water pressure. Note that the static pressure may fall below minimum requirement when other appliances are drawing water; for example, the dishwasher or washing machine.</p> |

MAINTENANCE

Any maintenance must be carried out by a qualified tradesperson, following the instructions provided. Before replacing any parts, ensure that the underlying cause of the malfunction has been resolved.

Warning! There are no user-serviceable components beneath the cover of the appliance. Only a competent tradesperson should remove the cover.

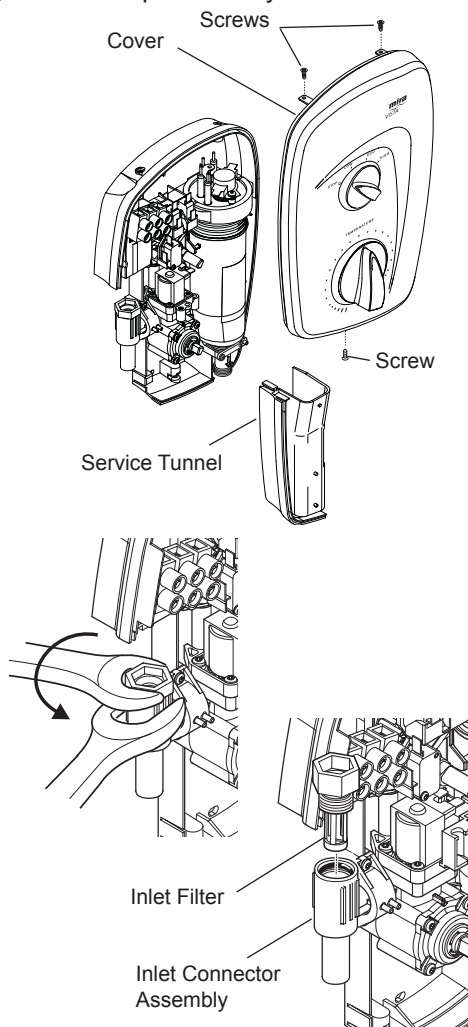
Cleaning

Many household and industrial cleaners contain abrasives and chemical substances that can damage the finish of your shower. Only clean the shower and fittings with a mild washing-up detergent or soap solution, and then wipe them dry with a soft cloth.

Cleaning the Inlet Filter

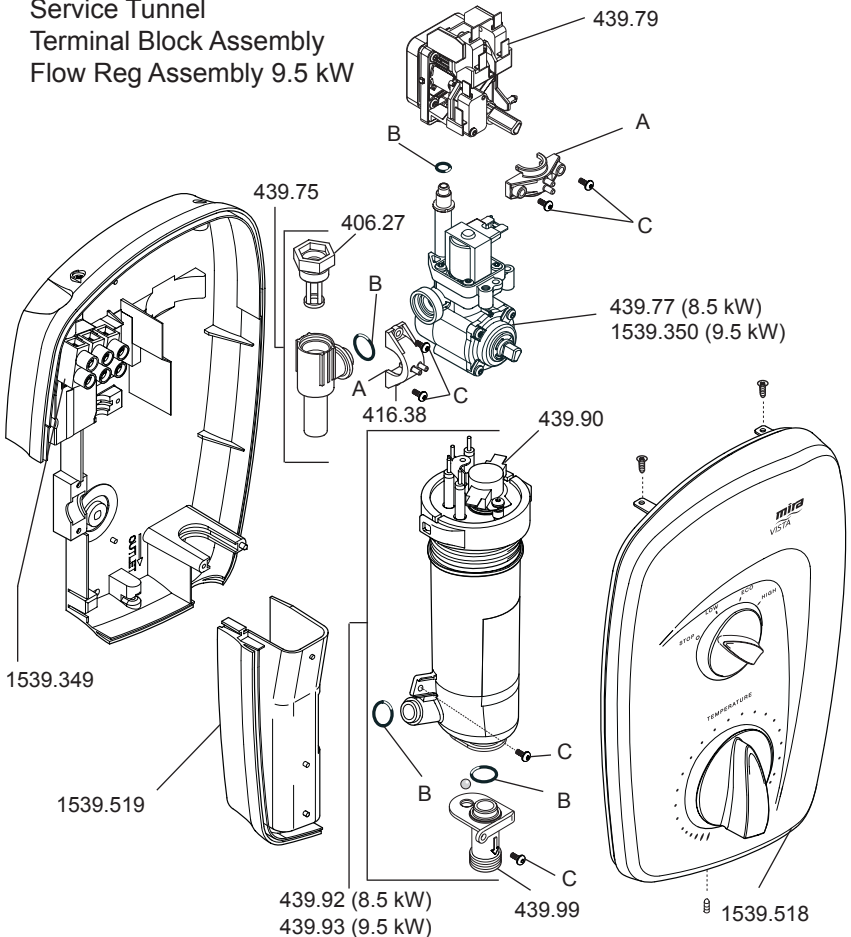
Warning! Isolate the electrical and water supplies before removing the cover.

1. Remove the three screws that hold the cover on the shower and remove the cover.
2. Remove the service tunnel from the shower.
3. Use a suitable spanner to remove the filter from the inlet connector assembly. Hold a wrench across the flats of the inlet connector assembly to prevent damage to the connector, whilst removing the strainer.
4. Remove the inlet filter.
5. Clean the inlet filter with a stiff brush. If necessary, use a kettle descalant in accordance with the manufacturer's instructions.
6. Refit the components in reverse order.



SPARE PARTS

- 406.27 Filter
- 416.38 Inlet Connector Clamp
- 439.75 Inlet Connector Assembly
- 439.76 Clamp Bracket Pack (components identified 'A')
- 439.77 Flow Reg Assembly 8.5 kW
- 439.79 Switch Assembly, Rotary
- 439.88 Seal Pack (components identified 'B')
- 439.89 Screw Pack (components identified 'C')
- 439.90 Thermal Trip Assembly
- 439.92 Heater Tank Assembly 8.5 kW
- 439.93 Heater Tank Assembly 9.5 kW
- 439.99 Tank Outlet and Ball
- 1539.518 Cover Assembly
- 1539.519 Service Tunnel
- 1539.349 Terminal Block Assembly
- 1539.350 Flow Reg Assembly 9.5 kW



CUSTOMER SERVICE

Guarantee

Your product has the benefit of our manufacturer's guarantee which starts from the date of purchase.

To activate this guarantee, please return your completed registration card, visit our website or free phone 0800 0731248 within 30 days of purchase (UK only).

Within the guarantee period we will resolve defects in materials or workmanship, free of charge, by repairing or replacing parts or product as we may choose.

If you have not previously activated the guarantee, you will be required to do so prior to the provision of assistance. If you do not activate your guarantee our Engineer will be entitled to charge full payment for the visit (Call out fee plus parts).

This guarantee is in addition to your statutory rights and is subject to the following conditions:

- The product must be installed and maintained in accordance with the instructions given in this user guide.
- Servicing must only be undertaken by us or our appointed representative. **Note!** if a service visit is required the product must be fully installed and connected to services.
- Repair under this guarantee does not extend the original expiry date. The guarantee on any replacement parts or product ends at the original expiry date.
- For shower fittings or consumable items we reserve the right to supply replacement parts only.

The guarantee does not cover:

- Call out charges for non product faults (such as damage or performance issues arising from incorrect installation, improper use, lack of maintenance, build up of limescale, frost damage, corrosion, system debris or blocked filters) or where no fault has been found with the product.
- Water or electrical supply, waste and isolation issues.
- Compensation for loss of use of the product or consequential loss of any kind.
- Damage or defects caused if the product is repaired or modified by persons not authorised by us or our appointed representative.
- Routine maintenance or replacement parts to comply with the requirements of the TMV 2 or TMV 3 healthcare schemes.

What to do if something goes wrong

If your product does not function correctly when you first use it, contact your installer to check that it is installed and commissioned in accordance with the instructions in this manual. Should this not resolve the issue, contact our Customer Services Team who will offer you or your installer advice and if applicable arrange for a Service Technician to call. If the performance of your product declines, check in this manual to see if simple home maintenance is required. If you require further assistance call our Customer Services Team.

Extended Guarantees

A selection of protection plans are available that enable you to cover repair bills for the life of your policy (excludes Eire). Ring 01922 471763 for more details.

Helpdesk Service

Our dedicated Customer Services Team is comprehensively trained and can offer help and advice, spare parts, accessories or a service visit. We will need you to have your model name or number, power rating (if applicable) and date of purchase. As part of our quality and training programme calls may be recorded or monitored.

Mira Showers Website (www.mirashowers.co.uk)

From our website you can register your guarantee, download additional user guides, diagnose faults, purchase our full range of accessories and popular spares, refer to our FAQ's and request a service visit.

Spares and Accessories

We maintain extensive stocks of genuine spares and accessories and aim to provide support throughout the product's expected life. Payment can be made by phone at time of order using most major Credit or Debit cards and we aim to despatch orders within two working days. Items purchased from us are guaranteed for 12 months from date of purchase. For safety reasons spares exposed to mains voltages should only be fitted by competent persons.

Returns – items can be returned within one month of date of purchase, providing that they are in good condition and the packaging is unopened. Please obtain authorisation from our Customer Services Team before return. We reserve the right to apply a 15% restocking charge.

Service / Repairs

We have a nationwide team of Service Technicians who can carry out all service or repair work to your product within the guarantee period and beyond. You have the assurance of a fully trained Mira Technician, genuine Mira spare parts and a 12 month guarantee on any chargeable work done.

Payment should be made directly to the Service Technician who will accept most major Credit or Debit cards.

To Contact Us

UK

Telephone: 0844 571 5000

www.mirashowers.co.uk

E-mail: technical@mirashowers.com

Fax: 01242 282595

By Post: Mira Customer Services Dept, Cromwell Road, Cheltenham, Gloucestershire, GL52 5EP

Eire

Telephone: 01 459 1344

E-mail: sales@modernplant.ie

Fax: Dublin 01 459 2329

By Post: Modern Plant Ltd (Dublin),

Otter House, Naas Road, Clondalkin, Dublin 22

Mira is a registered trade mark of
Kohler Mira Limited.

The company reserves the right to alter
product specifications without notice.



mira
SHOWERS