



ALWAYS read these installation instructions before installing this product. You must observe the instructions inside this booklet



ALWAYS attach this grab rail to a surface using fixings matched to the grab rail, the type of surface and the loading conditions to be applied

ALWAYS read the installation and end user care instructions



ALWAYS match the fixing to the holes in the grab rail
ALWAYS use all fixing holes
ALWAYS have grab rails installed by a trained and experienced skilled craftsman



NEVER install countersunk head fixings
NEVER add countersinks to any holes on the grab rails
NEVER make fixing holes larger
NEVER misuse the rail - it is an aid to manual movement only



NO! making fixing holes larger will reduce the strength of the grab rail and invalidate any warranty or stated weight capacity



DO NOT place matches or cigarettes on or near this product.
The following materials are used in this product:
PVC, Aluminium, Stainless Steel (some models)



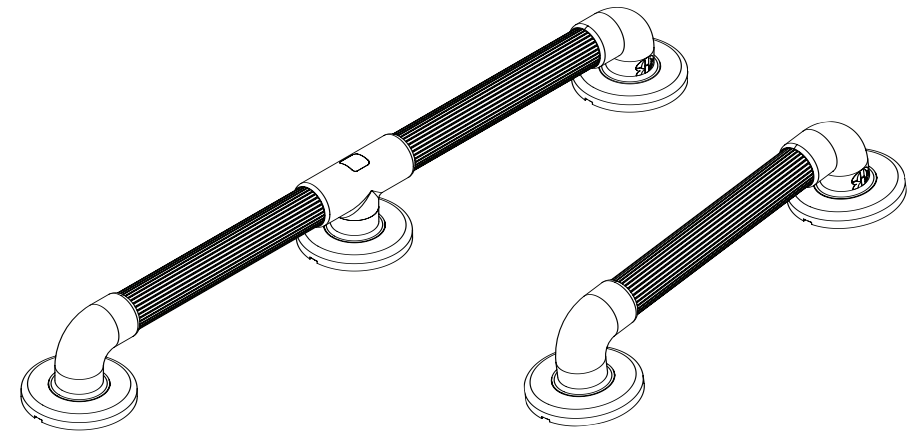
AKW MediCare
PARTNERS IN CARE

US

UK

Heavy Duty Grab Bar

Installation and user care instructions



Plastic Fluted 1900 series

Available in lengths:
12"/ 305mm, 16"/ 407mm, 18"/457mm, 24"/ 610mm,
30"/ 813mm, 36"/ 914mm, 42"/ 1067mm
Reg.Des.App



IMPORTANT SAFETY NOTICE



This product is rated to 190kg / 419lb
ONLY when installed and fully maintained
according to these instructions.

The measurements throughout these installation and user care instructions have been converted from metric to its equivalent in imperial, therefore all dimensions are approximate and subject to manufacturing tolerances. AKW MediCare does not make any warranty, expressed or implied, or accept any liability in connection with this information or its use. This information is furnished upon the condition that the person receiving it shall make his/her own tests to determine the suitability thereof for his/her particular purpose.

For further details on this and other AKW products please contact your distributor- see details on outer packaging

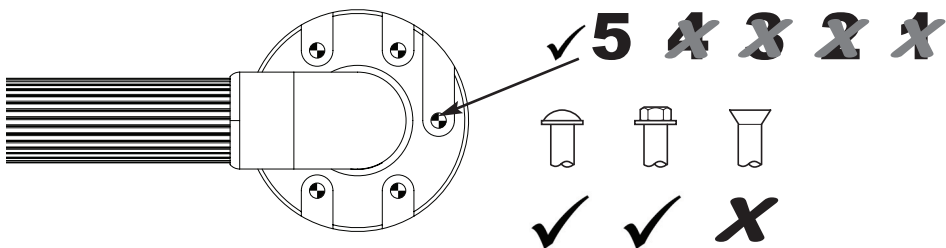
Colour: White RAL 9016 (Optional: Rail Only in High Contrast Blue to RAL 5005)

Internal Building use only

Installer: Please ensure that this information is left with the end user of this product.

Installation Instructions

Follow these guidelines when installing an AKW Heavy Duty Grab Rail:



Wall surface and supporting structure must be adequate to support load - test suitability of wall and fixings before use. Solid brick, concrete block or timber reinforcement is essential.

All fixing holes (4 or 5, according to type) in all mounting brackets must be used with 5mm (³/₁₆in) or No. 10 Gauge steel or stainless steel fixings.

Do-not over-tighten fixings. Use fixings adequate for load.

Do not use fixings with Countersunk heads.

Each fixing must be capable of withstanding 35kg pull-out force.

If you are unsure of which type of fixing to use consult a fixing manufacturer, stating the type and construction of surface, spacing and size of fixings.

Plastic Grab Rails are recommended for all internal applications.

All AKW MediCare Grab Rails are designed and tested to meet the requirements of BS EN 12182 and meet ADA / ABA requirements.

The above recommendations are suggested to promote optimum product life.

Rails may be installed in other locations but optimum product life may not be achieved.

AKW MediCare are unable to specify the type of fixing to be used simply due to the vast number of possible types and conditions of surfaces to which the grab rail can be attached.

Plastic Grab Rail Product Specification / Data Sheet

This product is designed for a single location installation.

Maximum weight capacities* :

Plastic Fluted 1900 series HD	190kg / 419lb or 30 stone
-------------------------------	---------------------------

**Applied for less than 30 minutes in any 60 minute period.
Weight Capacity refers to the grab bar only. Fixings and retention in the mounting surface are the responsibility of the installer.*

Standard operating temperature range :

+5°C to +35°C.

Materials of Construction:

Brackets:	PVC-U
Bracket covers:	PVC-U
Rails:	PVC-U, Inserts of Aluminium Some rail brackets include stainless steel fixings

User Care Instructions

AKW plastic grab rails are designed for general domestic use as an aid to the movement of a person about a normal dwelling place.

They are intended to be used to provide gripping or handle positions around doorways, stairwells, showers, baths and other similar applications.

The grab rail must only be used for the tasks it is intended to perform.

Do not use it to tie objects or hang items from it or secure items to it.

This may have serious detrimental effects on its performance and safety.

Grab rails should be checked as part of a planned maintenance programme, and any rails showing evidence of damage or misuse must be replaced.

Keeping your AKW Grab Rail clean

This product should be cleaned periodically using normal domestic bathroom cleaning materials.

After cleaning **always rinse with water then wipe thoroughly with a damp cloth to remove any cleaning material residues** before drying off.

Do not use strong or concentrated acidic, alkaline or other cleaning materials as these may discolour or otherwise damage the product.

AKW **do not approve or recommend autoclave cleaning** due to the damage this can cause to the special engineering plastics used in the construction of this product.

Disinfecting

Where disinfecting is necessary, standard procedures for disinfecting equipment should be used with due care and attention taken of the warnings concerning possible effects of aggressive chemicals on plastics.

Packaging

This grab rail is supplied in a polypropylene (PP) bag to keep the product unsoiled until installation; it may also be bulk-packed in a cardboard box.

Both are suitable for recycling operations and should be disposed of in accordance with local recycling regulations.