

Domestic Hot & Cold Single Basin Taps

Installation & User Care Instructions



READ ALL INSTRUCTIONS CAREFULLY BEFORE INSTALLATION AND LEAVE WITH THE END USER FOR FUTURE REFERENCE

Important notes

This product must be installed in compliance with Water Bylaw Regulations. Isolating and non-return valves should be fitted (not supplied). If you are unsure, please obtain the advice of a professional plumber before attempting any work. Minimum working pressure is 0.2 bar.

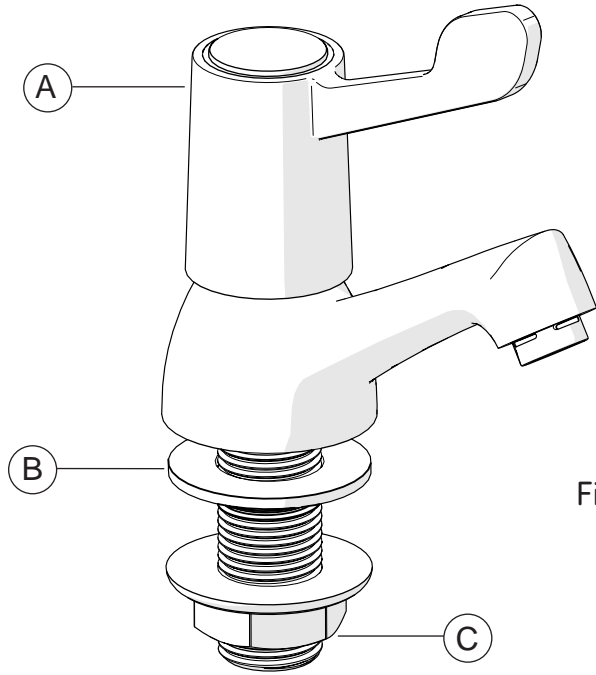


Fig.1

PARTS PROVIDED

Ref	Description	Qty
A	Tap	2
B	Washer gasket	2
C	Back Nut	2

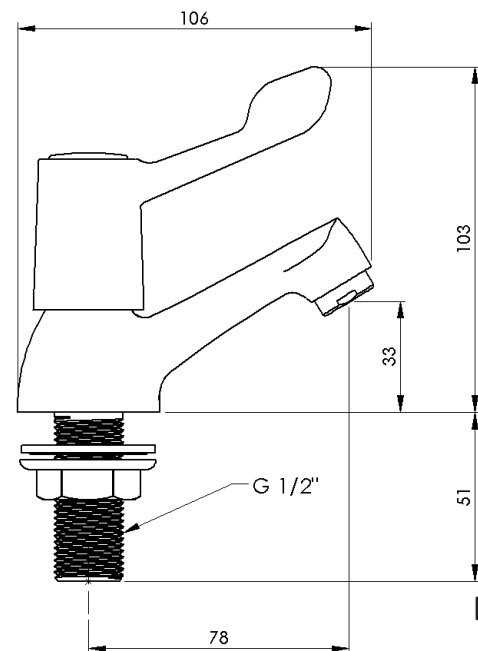


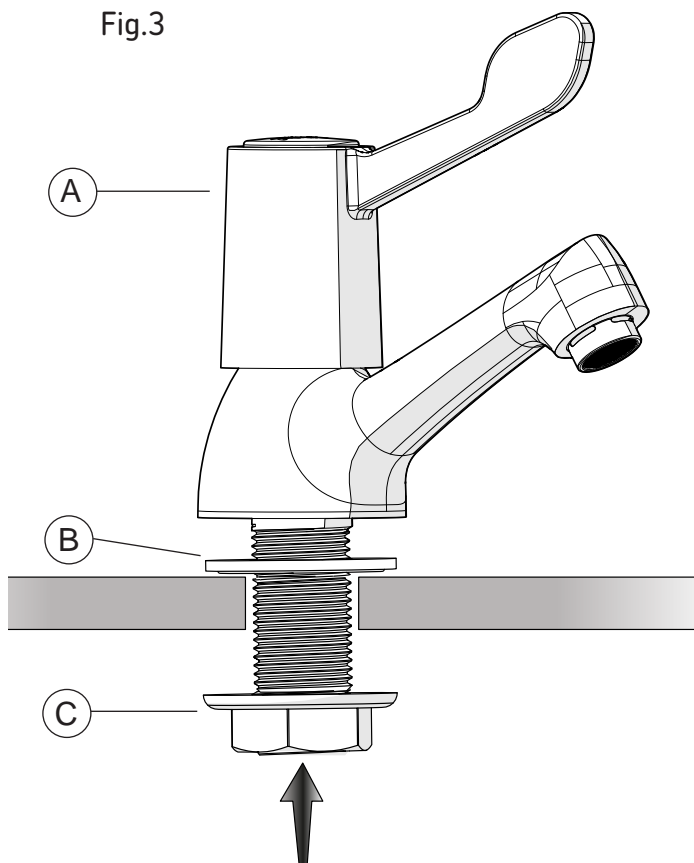
Fig.2

Flow rate for tap (Reference values only.)

Dynamic pressure	0.2 - 0.5 bar	1 - 2 bar	3 - 5 bar
Full cold/hot water	7.6 - 15 L/min	18.5 - 26.5 L/min	32 - 41 L/min

Assembly

Fig.3



1. Check the water use requirements under local regulations.
2. Remove the back nut (C) leaving the washer gasket (B) on the tap tail adjacent to the tap body.
3. Place the tap (A) together with washer gasket (B) on the fitting surface of the basin.
Note, the hot tap indicated by the red index ring is normally fitted on the left when viewed from the front.
4. Position the tap as required. Whilst holding the tap in place, screw the back nut (C) onto the tap tail (A) and tighten. Do not over-tighten as this may damage the mounting surface.
5. Repeat steps 2-4 for the other tap.
6. Connect the water supply to the taps.

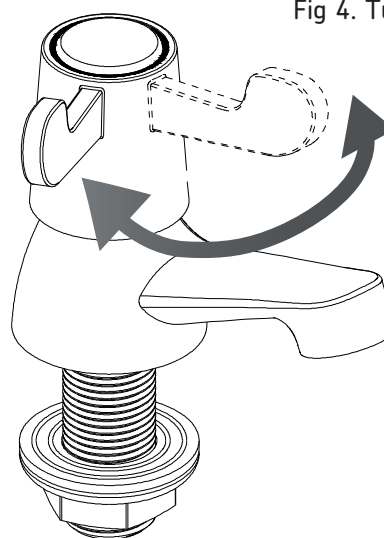
Commissioning

Open isolating valves and check for leaks.
Turn cold tap on.
Allow a few minutes of running and then repeat for the hot water.
Turn off and check for further leaks.

Cleaning and Care

Clean using warm, soapy water only.
Do not use scourers or abrasive cleaners which may affect the surface finish.
Never use corrosive acidic or alkaline cleaning materials on fittings or surfaces.
Always flush cleaning materials away with copious amounts of water and wipe down to dry.

Fig 4. Turn for on and off.



AKW guarantees your product with a lifetime guarantee from the date of purchase. Lifetime guarantee applies only to manufacturing defects, faulty materials, or poor workmanship. This guarantee excludes general wear and tear through usage and does not apply to surface finishes or any damage caused by inappropriate cleaning. Do not use scourers or abrasive cleaners which may affect the surface finish as this will invalidate your guarantee. This lifetime guarantee also excludes any accidental damage, inappropriate use or damage that results from any modifications, repairs or lack of maintenance including the build-up of lime scale, waterborne debris, or surface damage from water freezing. This does not cover any damage caused by not following these installation instructions. For installation issues always contact your local installer first. Installer may resolve any present issues or choose to contact AKW. Within this period, AKW will decide to repair or replace as applicable. Work is to be undertaken only by AKW or our approved agents with prior agreement. Failure to install this AKW product in accordance with supplied instructions or the making of unauthorised modifications will invalidate any warranty and will affect product safety. This guarantee is in addition to your statutory and other legal rights, and becomes effective from the date of purchase. To validate the guarantee, you must retain proof of purchase. None of the foregoing affects your statutory rights.