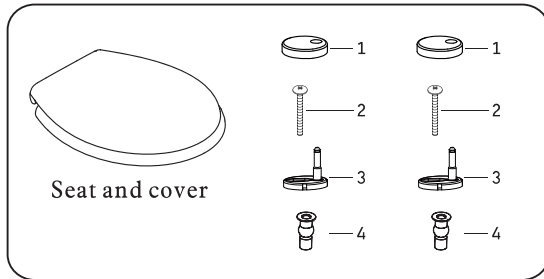


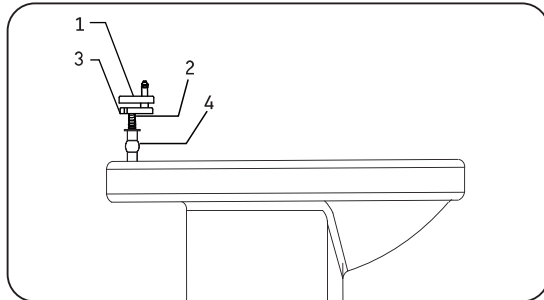
标记	日期	变更内容	设计	文本编号	版本版次
1				文本编号	1.0
2				版本版次	1
3				页次	2014-05-13

Installation Instruction

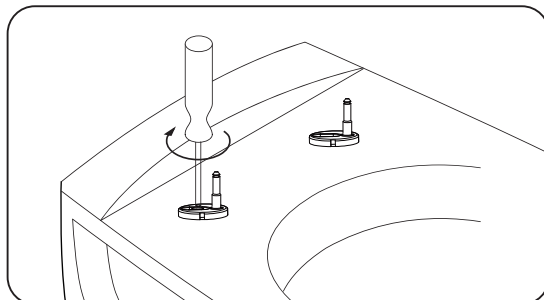
Option 1 : Top fixing



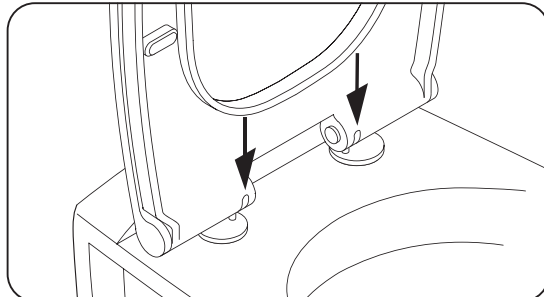
Hinge set.



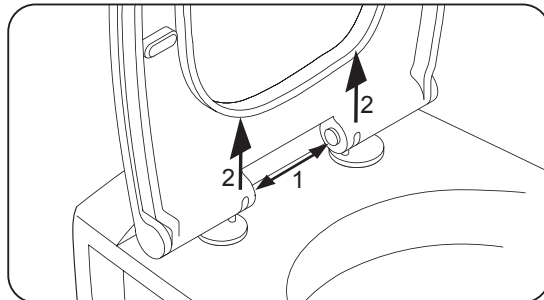
❶ Insert the hinges into the toilet.



❷ Tighten the screws of the hinges.

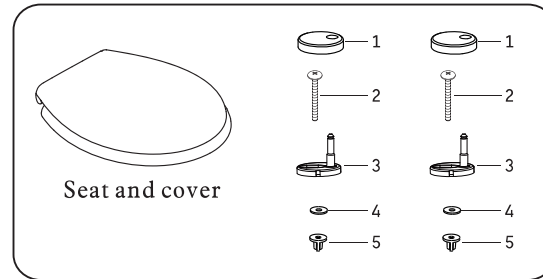


❸ Clip on the toilet seat and cover.

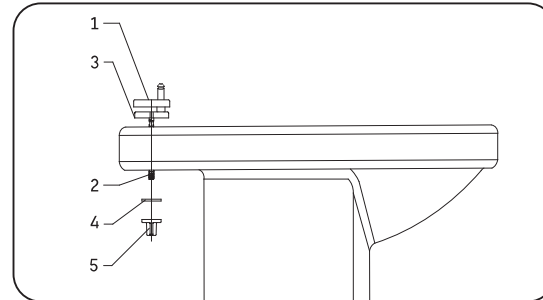


❹ Press 2 buttons to release seat for cleaning

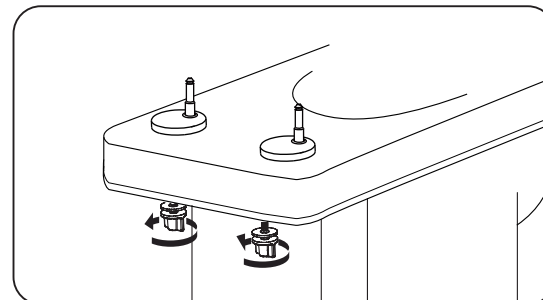
Option 2 : Bottom fixing



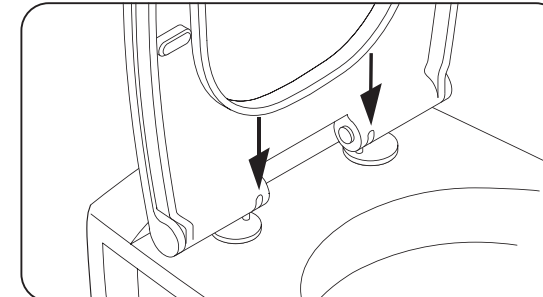
Hinge set.



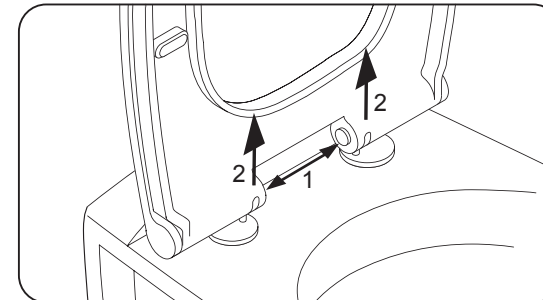
❶ Insert the hinges into the toilet.



❷ Tighten the screws of the hinges.



❸ Clip on the toilet seat and cover.



❹ Press 2 buttons to release seat for cleaning

Cleaning Instructions

- Use only water to clean up.
- Use only a soft cloth.
- Dry seat after washing.
- Do not use any abrasive cleaners or scourers.

Remarks

- Hinges should be adjusted to suit the holes in pan before tightening.
- As seat is self or slow closing, do not use force to close the seat or cover (For soft close seat only).

7101-340

图纸为面视图

技术
要求
: BST 产品编号: 通用上下锁安装说明书
料号: 7101-340
规格: A4
材质: 双胶纸 (80g)

其他要求:

此框架代表A4纸

电子档图纸比例 1:1

核准 Approved by:

审核 Audit BY:

设计: Made by: