

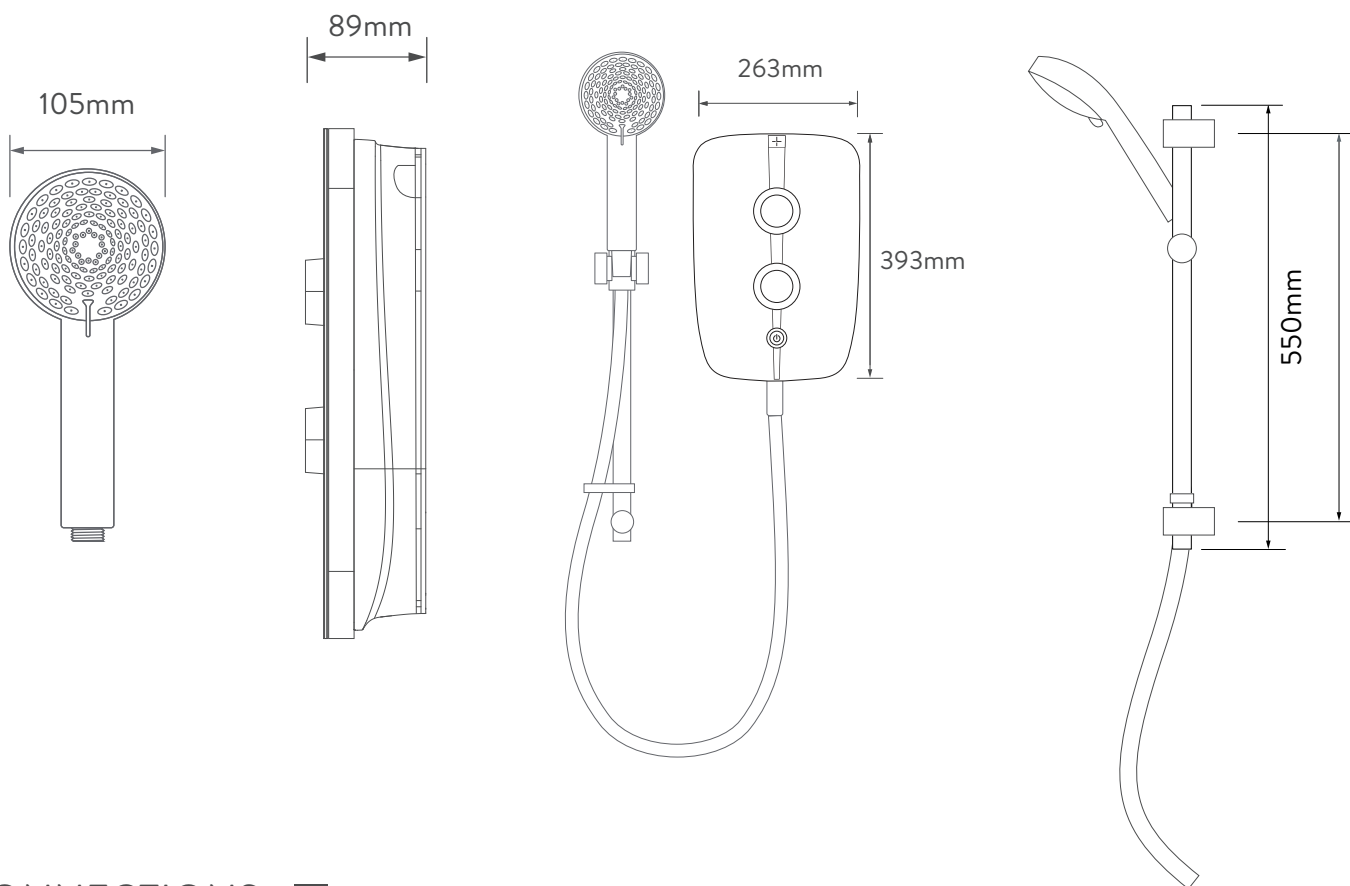
AQUALISA®

LUMI+™ ELECTRIC SHOWER

8.5KW LMEP8501
9.5KW LMEP9501
10.5KW LMEP10501

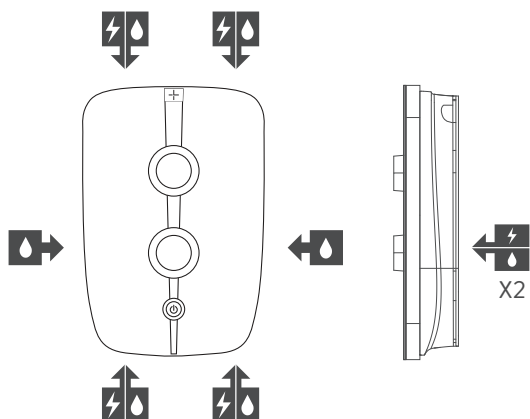
ELECTRIC 8.5KW / 9.5KW / 10.5KW WITH ADJUSTABLE HEAD
MIRROR FASCIA WITH ILLUMINATION

DIMENSIONAL DRAWINGS



CONNECTIONS

 ELECTRICAL
 WATER



The company reserves the right to alter, change or modify the product or product specifications without prior warning.
Please refer to the installation guides for technical information.

AQUALISA®

LUMI+™ ELECTRIC SHOWER

8.5KW LMPE8501
9.5KW LMPE9501
10.5KW LMPE10501

ELECTRIC 8.5KW / 9.5KW / 10.5KW WITH ADJUSTABLE HEAD
MIRROR FASCIA WITH ILLUMINATION

TECHNICAL SPECIFICATIONS

Power	8.5KW / 9.5KW / 10.5KW
Minimum pressure	0.085 MPa (0.85 bar) Recommended: 1 bar
Maximum pressure	1.0 MPa (10 bar)
Recommended maximum pressure	3 bar
Water entry points	Right hand side and left hand side: top, bottom, side and rear
Cable entry points	Right hand side and left hand side: top, bottom and rear
Inlet fitting connections	15mm compression or push fit elbow
Outlet fitting connections	1/2" BSP thread
Electric requirements	Supply voltage 230 – 240V, MCB rating : 8.5KW and 9.5KW - 40A 10.5KW - 45/50A
Water system	Mains cold system
Features	Lighting/illumination features
	Push button start/stop
	Gel hanger
	Rotary controls (power control rotary control)
	Safety features: phased shut down, over temperature protection
	Low pressure indicator
	Smooth satin hose - 1500mm x 11mm
105mm handset, 5 spray patterns	
Colour	Mirror with illumination
Guarantee period	Shower unit – 2 years
	Shower head and kit – 2 years
Approvals	CE Marking
	BEAB
	European Water Label
	ERP Directive
	WRAS