

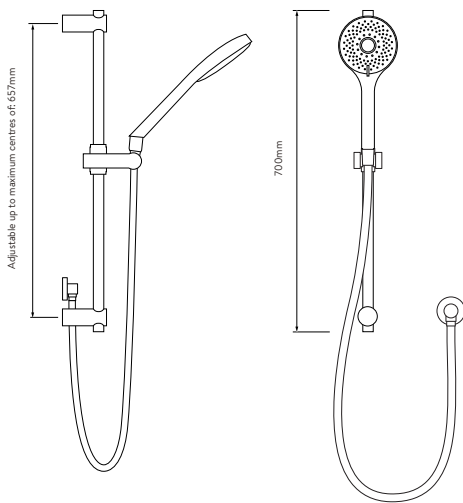
# AQUALISA OPTIC Q™

WITH ADJUSTABLE HEAD - HP/COMBI

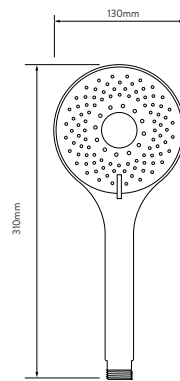
OPQ.A1.BV.20

## DIMENSIONAL DRAWINGS

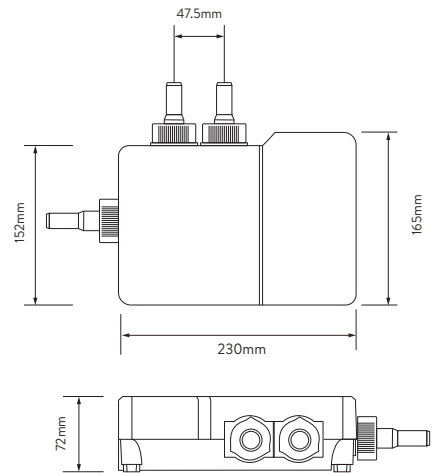
SHOWER RAIL KIT



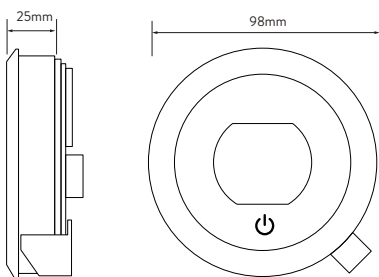
SHOWER HEAD



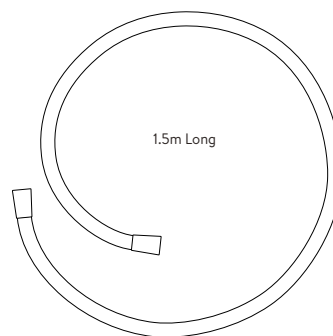
AQUALISA SMARTVALVE™



CONTROLLER



SHOWER HOSE



# AQUALISA

## OPTIC Q™

WITH ADJUSTABLE HEAD - HP/COMBI

OPQ.A1.BV.20

### TECHNICAL SPECIFICATIONS

|   |   |
|---|---|
| Minimum pressure requirements                     | 1 bar   |
| Maximum pressure requirements                     | 7 bar   |
| Aqualisa SmartValve™ inlet fitting connections    | 15mm push fit fittings, valve inlet centres 48mm, inlet supply positions – hot right, cold left                                 |
| Aqualisa SmartValve™ outlet fitting connection    | 15mm push fit   |
| Permissible Aqualisa SmartValve™ siting locations | Loft, airing cupboard, under bath   |
| Supply temperature                                | Cold inlet temperature 1°C (minimum)<br>Cold inlet temperature 15°C (maximum)<br>Hot inlet temperature 65°C (maximum)           |
| Water system                                      | HP / Combi / Boosted gravity  |
| Features  | Proximity sensor (to wake controller up)  |
|   | Large rotary temperature ring   |
|   | Digital display system  |
|   | User definable shower profiles / experiences (available via the Aqualisa app)   |
|   | Warm and ready indicator  |
|   | Optical on off switch   |
|   | Unique Q™ lever control   |
|   | Magnetically damped Q™ lever  |
|   | 130mm Vita™ shower head with 3 spray patterns   |
|   | Wi-Fi & App compatible – control your product with your smart phone and smart home device e.g. Alexa                            |
|   | App functions include start/stop, set your flow and temperature, shower timer, user dashboard, usage tracker and help & support |
|   | Aqualisa SmartValve™  |
|   | Optional wireless rechargeable remote control   |
| Guarantee period                                  | 5-year guarantee - shower unit  |
|   | 2-year guarantee - shower head and kit  |
| Approvals   | CE Marking  |
|   | BEAB  |