

# N2 CSHXTVO C

## 1901 Shower Range 1901 Exposed Concentric Chrome Top Outlet Shower Valve Only



### Features:

- 15mm inlet connections
- Easy replacement with adjustable inlets so you can use on existing pipework centres between 136mm and 158mm
- Thermostatic cartridge with preset temperature stop at 42°C
- Supplied with 2 x 8L/min flow regulators
- Top outlet

### Product Certifications:



WRAS Cert. Number: 2207907  
WRAS Expiry Date: 31/07/2027



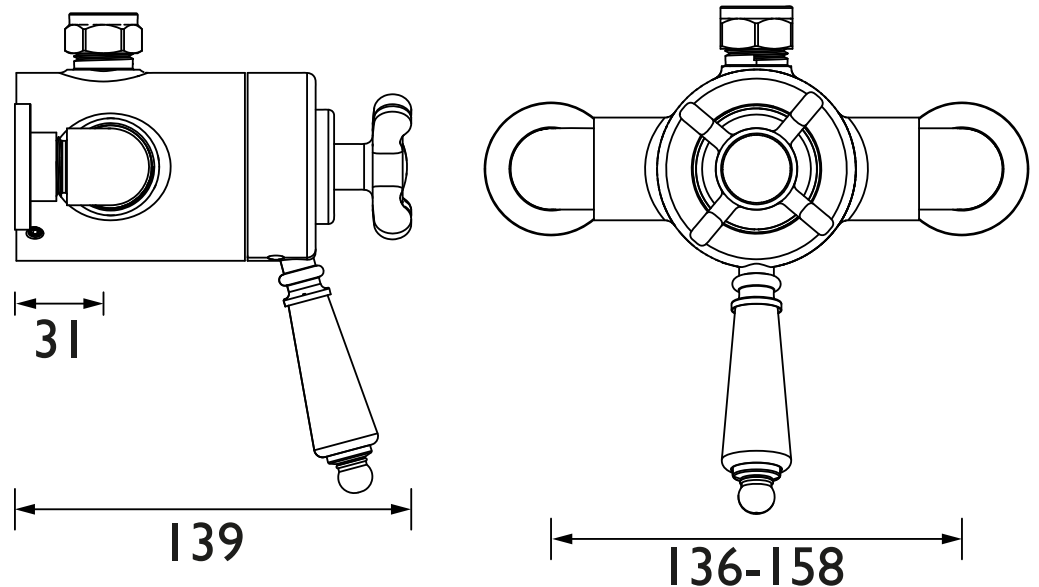
For more products, visit our website:  
<http://www.bristan.com>



### Specification

Finish/Colour:	Chrome
Main Construction Material:	Brass
No of Controls:	2
Shower Type:	Exposed
Shower Head Type:	None
Valve/Cartridge Type:	Concentric Cartridge
Maximum Hot Water Supply Temperature °C:	65
Maximum Dynamic Pressure (bar):	5
Plumbing System Suitability:	Suitable for all plumbing systems
Minimum Dynamic Pressure (bar):	Min: 0.2 bar, Max: 5 bar
Connection Inlet:	15mm Compression
Connection Outlet:	15mm Compression
Isolation Valve Included:	No
Check Valve Included:	No

### Dimensions (measurements in mm)



### Flow Rates (l/min)

System Pressure (bar)	0.2	0.5	1	2	3	5
With Flow Limiters (mixed)	7.5	11.9	13.4	13.2	13.1	11.4
Without Flow Limiters (mixed)	7.5	14.3	20.7	30.9	37.9	48.9

## TECHNICAL DATA SHEET



# BRISTAN

D8