

# N2 SQSHXVO C

## 1901 Shower Range 1901 Exposed Sequential Chrome Shower Valve Only



### Features:

- 15mm inlet connections
- Easy replacement with adjustable inlets so you can use on existing pipework centres between 136mm and 158mm
- Thermostatic cartridge with preset temperature stop at 42°C
- Supplied with 2 x 8L/min flow regulators
- Bottom outlet

### Product Certifications:



WRAS Cert. Number: 2205903  
WRAS Expiry Date: 31/05/2027



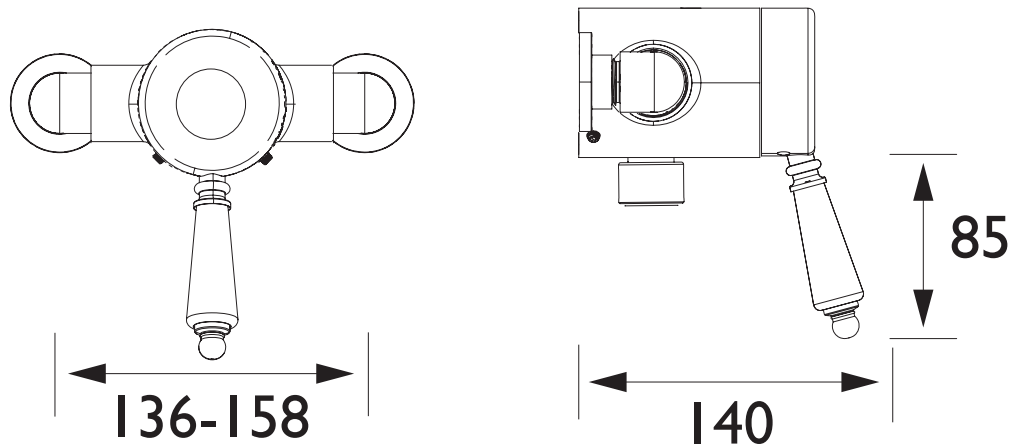
For more products, visit our website:  
<http://www.bristan.com>



### Specification

|  |                              |
|--|------------------------------|
| Finish/Colour:                           | Chrome Plated                |
| Main Construction Material:              | Brass                        |
| No of Controls:                          | 1                            |
| Shower Type:                             | Single Control               |
| Valve/Cartridge Type:                    | Thermostatic Cartridge       |
| Maximum Hot Water Supply Temperature °C: | 65                           |
| Maximum Static Pressure: (bar)           | 10                           |
| Plumbing System Suitability:             | All, preferably balanced     |
| Minimum Dynamic Pressure:                | 0.2 bar                      |
| Connection Inlet:                        | 15mm Compression Connections |
| Connection Outlet:                       | G 1/2"                       |
| Isolation Valve Included:                | No                           |
| Check Valve Included:                    | Yes                          |

### Dimensions (measurements in mm)



### Flow Rates (l/min)

| System Pressure (bar)    | 0.2  | 0.5  | 1    | 2    | 3    | 5    |
|--------------------------|------|------|------|------|------|------|
| Outlet 1                 | 10.3 | 18   | 26.4 | 37.2 | 46.4 | 58.5 |
| Outlet 1 (Flow Limiters) | -    | 12.5 | 13   | 14.1 | 14.1 | 11.6 |

## TECHNICAL DATA SHEET



# BRISTAN

D4