

N2 SQSHXTVO C

1901 Shower Range 1901 Exposed Sequential Chrome Top Outlet Shower Valve Only



Specification

Finish/Colour:	Chrome Plated
Main Construction Material:	Brass
No of Controls:	1
Shower Type:	Sequential
Valve/Cartridge Type:	Thermostatic Cartridge
Maximum Hot Water Supply Temperature °C:	65
Maximum Static Pressure: (bar)	10
Plumbing System Suitability:	All, preferably balanced
Minimum Dynamic Pressure:	0.2 bar
Connection Inlet:	15mm Compression Connections
Connection Outlet:	G 1/2"
Isolation Valve Included:	No
Check Valve Included:	Yes

Features:

- 15mm inlet connections
- Easy replacement with adjustable inlets so you can use on existing pipework centres between 136mm and 158mm
- Thermostatic cartridge with preset temperature stop at 42°C
- Supplied with 2 x 8L/min flow regulators
- Top outlet

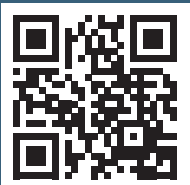
Product Certifications:



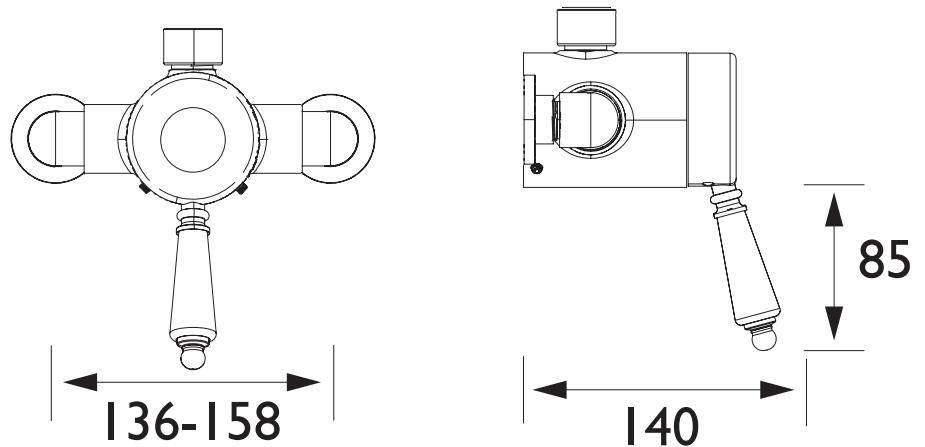
WRAS Cert. Number: 2207908
WRAS Expiry Date: 31/07/2027



For more products, visit our website:
<http://www.bristan.com>



Dimensions (measurements in mm)



Flow Rates (l/min)

System Pressure (bar)	0.2	0.5	1	2	3	5
Outlet 1	10.3	18	26.4	37.2	46.4	58.5
Outlet 1 (Flow Limiter)	-	12.5	13	14.1	14.1	11.6

TECHNICAL
DATA
SHEET



BRISTAN

D4