

FHC ABRD01 C

SHOWER ACC Shower Range ABS 200mm Round Fixed Head Chrome



Features:

- Complete with swivel joint for angle adjustment
- Clam packed

Product Certifications:



WRAS Cert. Number: 2207904
WRAS Expiry Date: 31/07/2027



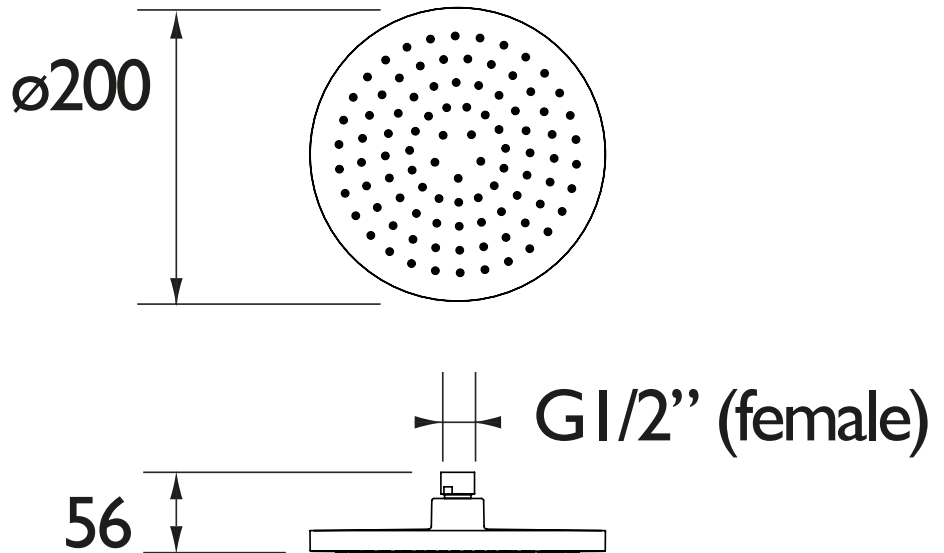
For more products, visit our website:
<http://www.bristan.com>



Specification

Finish/Colour:	Chrome Plated
Main Construction Material:	ABS
Shower Kit:	N/A
Shower Head Type:	Fixed Round
Rub Clean Handset:	Yes
Mounting Type:	Wall Mounted
Plumbing System Suitability:	Suitable for all plumbing systems
Minimum Dynamic Pressure (bar):	0.2 bar
Maximum Dynamic Pressure (bar):	5.0 bar
Connection Inlet:	G 1/2" Female
Connection Outlet:	N/A
Isolation Included:	No
What's Included:	1 x Plastic Shower Head, 1 x Fitting Instructions

Dimensions (measurements in mm)



Flow Rates (l/min)

System Pressure (bar)	0.2	0.5	1	2	3	5
Through Fixed Head (mixed)	5.2	8.2	11.6	16.4	20.1	25.9

TECHNICAL
DATA
SHEET



BRISTAN

D3