

APR PULLSNK C

APRICOT Tap Range Apricot Monobloc Sink Mixer with Pull Out Spray Chrome



Features:

- Metal fixing nut for added durability
- Minimum working pressure of 1.5 bar
- Product supplied with two check valves
- Single lever control with smooth turning, long life ceramic cartridge for added durability and ease of use

Product Certifications:



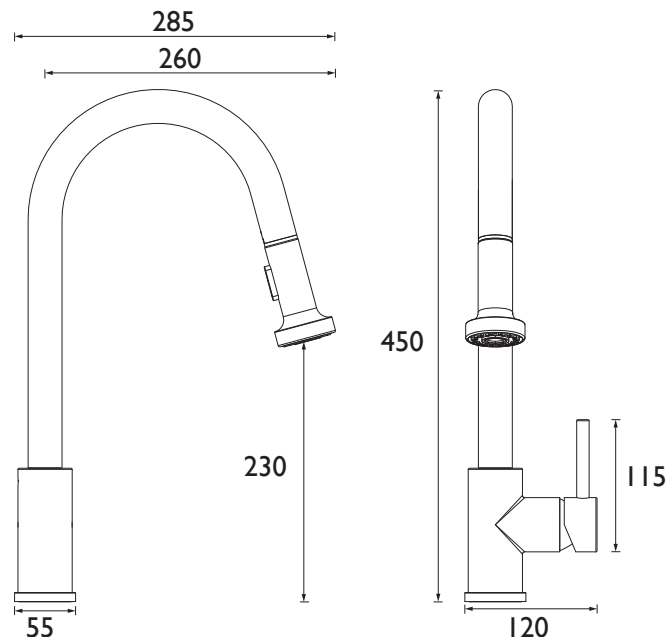
For more products, visit our website:
<http://www.bristan.com>



Specification

Product Type:	Kitchen Taps
Main Construction Material:	Brass
Mount Type:	Deck
Handle Type:	Lever
Connection Inlet:	1/2" BSP Flexible Tails
Connection Outlet:	Spray Handset
Number of Tap Holes:	1
Valve/Cartridge Type:	35mm Single Lever Cartridge
Plumbing System Requirements:	Suitable for high pressure systems
Minimum Dynamic Pressure (bar):	1.5 bar
Maximum Dynamic Pressure (bar):	5 bar
Maximum Hot Water Temperature °C:	65°C
Maximum Static Pressure (bar):	10 bar
Flow Type:	Dual
Isolation Included:	No

Dimensions (measurements in mm)



Flow Rates (l/min)

System Pressure (bar)	1.5	2	3	4	5
APR PULLSNK C (mixed)	7.4	8.6	10.5	12.1	13.6

TECHNICAL DATA SHEET



BRISTAN

D4