

BUZ SHXDIVCTFF BLK

BUZZ Shower Range Buzz Adjustable Rigid Riser Diverter Bar Shower Black



Specification

| | |
|-------------------------------------|------------------------------------|
| Product Type: | Bar Mixer Shower |
| Main Construction Material: | Zinc Alloy; ABS |
| Connection Inlet: | 1/2" Compression |
| Connection Outlet: | G1/2" & Riser Outlet |
| Number of Controls: | 2 |
| Flow Control Valve Type: | 25mm Cartridge |
| Plumbing System: | Suitable for high pressure systems |
| Minimum Dynamic Pressure: (Bar) | 1.0 |
| Maximum Dynamic Pressure: (Bar) | 5.0 |
| Maximum Static Pressure: (Bar) | 10 |
| Maximum Hot Water Temperature: (°C) | 65 |
| Pre-set Outlet Temperature: (°C) | 38 |
| Isolation Included: | Yes |
| Check Valve Supplied: | Yes |
| Shower Kit: | Adjustable Rigid Riser Shower Kit |

Features:

- A black finish that will make a statement in any bathroom
- Supplied with our award winning Wallmount 12 fixing kit with integral isolation, making installing, maintaining and replacing bar showers fast and easy
- Dual control - Flow and temperature are controlled separately giving accurate control of both.
- Thermostatic cartridge with preset temperature stop at 38°C to eliminate the ability to select an unsafe temperature and can be adjusted up to a maximum of 43°C.
- All in one box - Includes hose, height adjustable riser rail and a rub-clean anti-limescale shower rose and multi-function handset so nothing to buy separately

Product Certifications:



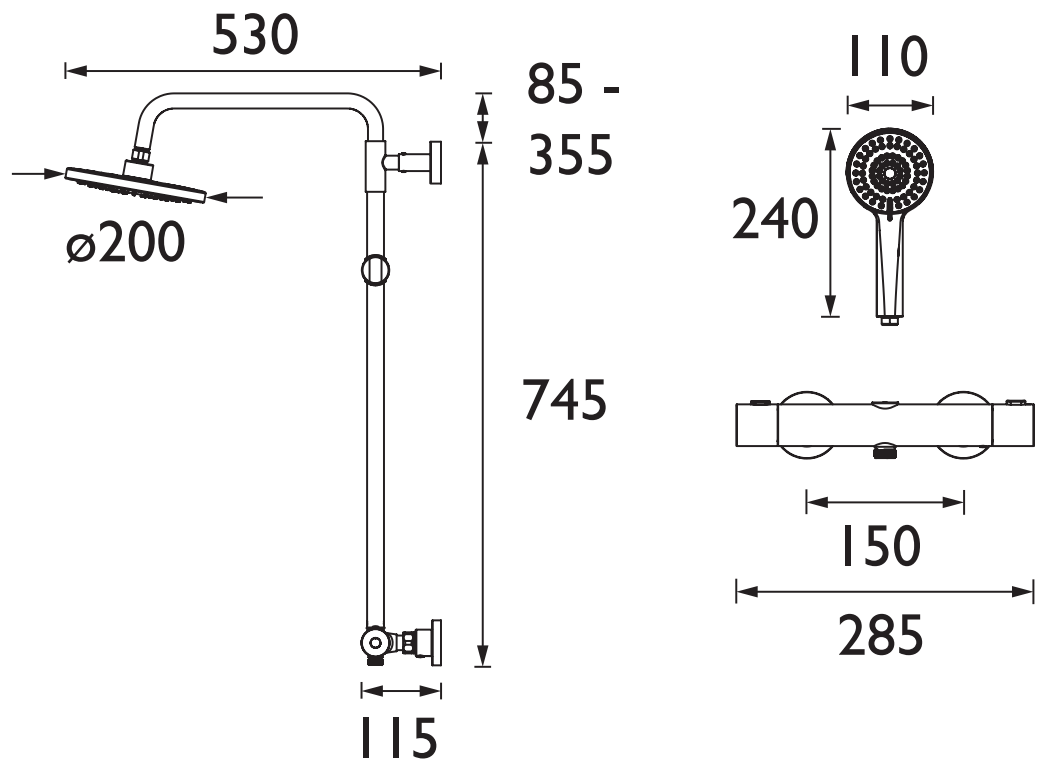
WRAS Cert. Number: 2301902
WRAS Expiry Date: 31/01/2028



For more products, visit our website:
<http://www.bristan.com>



Dimensions (measurements in mm)



Flow Rates (l/min)

| System Pressure (bar) | 1 | 2 | 3 | 4 | 5 |
|----------------------------|-----|------|------|------|------|
| Through Handset (mixed) | 7.1 | 10.4 | 12.8 | 14.9 | 16.8 |
| Through Fixed Head (Mixed) | 8 | 11.8 | 14.7 | 17.1 | 19.3 |

TECHNICAL DATA SHEET



BRISTAN