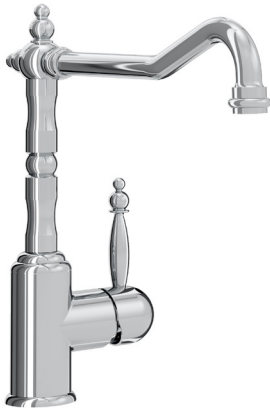


K SNKSL EF C

COLONIAL Tap Range Colonial Single Lever Easyfit Sink Mixer Chrome



Specification

Product Type:	Kitchen Taps
Main Construction Material:	Brass
Mount Type:	Deck Mounted
Handle Type:	Single Lever Handle
Connection Inlet:	1/2" BSP Flexible Tails
Connection Outlet:	M22 Flow Straightener
Number of Tap Holes:	1
Valve/Cartridge Type:	40mm Cartridge
Plumbing System Requirements:	Suitable for all plumbing systems
Minimum Dynamic Pressure (bar):	0.3 bar
Maximum Dynamic Pressure (bar):	5.0 bar
Maximum Hot Water Temperature °C:	65°C
Maximum Static Pressure (bar):	10 bar
Flow Type:	Single Flow
Isolation Included:	Yes

Features:

- Long life ceramic cartridge for added durability and ease of use
- Metal fixing nut for added durability
- Easyfit base included
- Flexible tails included

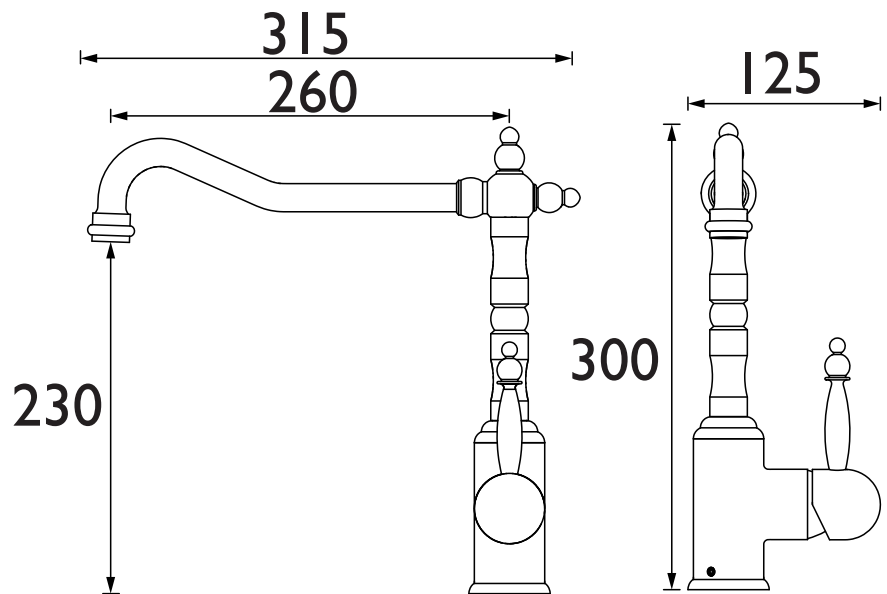
Product Certifications:



For more products, visit our website:
<http://www.bristan.com>



Dimensions (measurements in mm)



Flow Rates (l/min)

System Pressure (bar)	0.3	0.5	1	2	3	5
K SNKSL EF C (mixed)	6.9	8.9	12.6	17.8	21.8	28.1

TECHNICAL DATA SHEET



BRISTAN

D3