

EV KIT-EGB C

Accessories Grab Rail / Slide Bar Shower Kit 900mm Stainless Steel Finish



Specification

Main Construction Material:	Non Corrosive Stainless Steel
Connection Inlet:	G 1/2"
Contemporary or Traditional:	Contemporary
Left or Right Handed:	Both
Riser Length: (mm)	900
Rub Clean Handset:	Yes

Features:

- Tough, non corrosive 32mm diameter stainless steel Grab Rail/Slide Bar
- Single function, rub clean anti-limescale handset
- Extended 1.75m rub-clean hose
- Easy to use, robust slider mechanism
- 190kg Max user weight

Product Certifications:

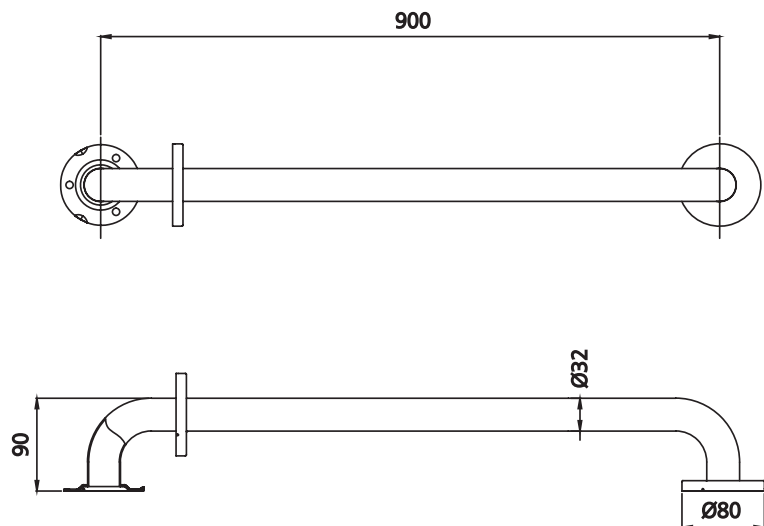


WRAS Certificate No: 1801061
WRAS Expiry Date: 31/01/2023

For more products, visit our website:
<http://www.bristan.com>



Dimensions (measurements in mm)



TECHNICAL
DATA
SHEET



BRISTAN

D5