

# CRZ2 SHXDIVCTFF C

## SAFETOUCH Shower Range Craze2 Adjustable Rigid Riser Diverter Bar Shower



### Features:

- Unique Safe Touch technology ensures the bar valve stays cool to the touch while in use.
- Dual control - Flow and temperature are controlled separately giving accurate control of both.
- Factory set to a maximum of 38°C to eliminate the ability to select an unsafe temperature, can be adjusted up to a maximum of 43°C.
- Supplied with WMNT12 C Isolation fast fit connections.
- Supplied with 1.5m hose, height adjustable riser rail, hose retainer and multi function handset with rub clean nozzles.

### Product Certifications:



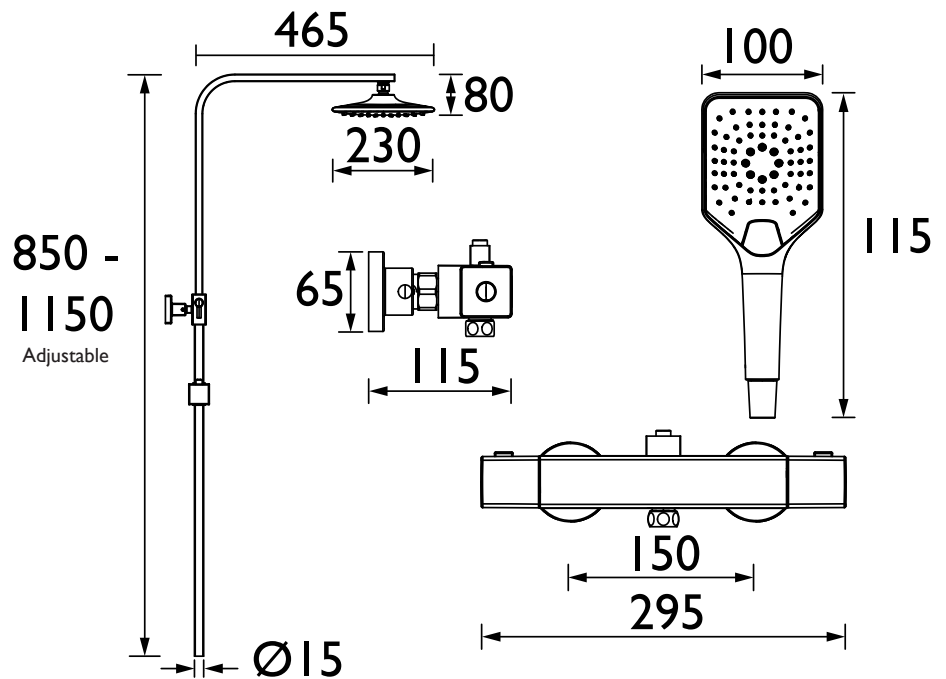
For more products, visit our website:  
<http://www.bristan.com>



### Specification

|                                     |                                   |
|-------------------------------------|-----------------------------------|
| Product Type:                       | Mixer Bar Shower                  |
| Main Construction Material:         | Brass                             |
| Connection Inlet:                   | 15mm Compression                  |
| Connection Outlet:                  | G 1/2" BSP                        |
| Number of Controls:                 | 2                                 |
| Flow Control Valve Type:            | Thermostatic Cartridge            |
| Plumbing System:                    | Suitable for all plumbing systems |
| Minimum Dynamic Pressure: (Bar)     | 0.5                               |
| Maximum Dynamic Pressure: (Bar)     | 5.0                               |
| Maximum Static Pressure: (Bar)      | 10                                |
| Maximum Hot Water Temperature: (°C) | 43                                |
| Pre-set Outlet Temperature: (°C)    | 38                                |
| Isolation Included:                 | No                                |
| Check Valve Supplied:               | Yes                               |
| Shower Kit:                         | Adjustable Rigid Riser Shower Kit |

### Dimensions (measurements in mm)



### Flow Rates (l/min)

| System Pressure (bar)      | 0.5 | 1   | 2   | 3    | 5    |
|----------------------------|-----|-----|-----|------|------|
| Through Handset (mixed)    | 3.9 | 5.5 | 7.8 | 9.6  | 11.8 |
| Through Fixed Head (mixed) | 4.1 | 5.8 | 8.7 | 10.2 | 12.5 |

## TECHNICAL DATA SHEET



# BRISTAN

D6