

EVC ADR01 WC

Accessories EVO Riser Rail with Adjustable Fixing Brackets White / Chrome



Adjustable Brackets:	Yes
Main Construction Material:	Plastic, Steel
Contemporary or Traditional:	Contemporary
Finish Colour:	Chrome
Isolation Included:	No
Riser Length: (mm)	650
Working Pressure Range (bar):	Min. 0.2, Max. 5.0
Maximum Static Pressure: (bar)	10

Features:

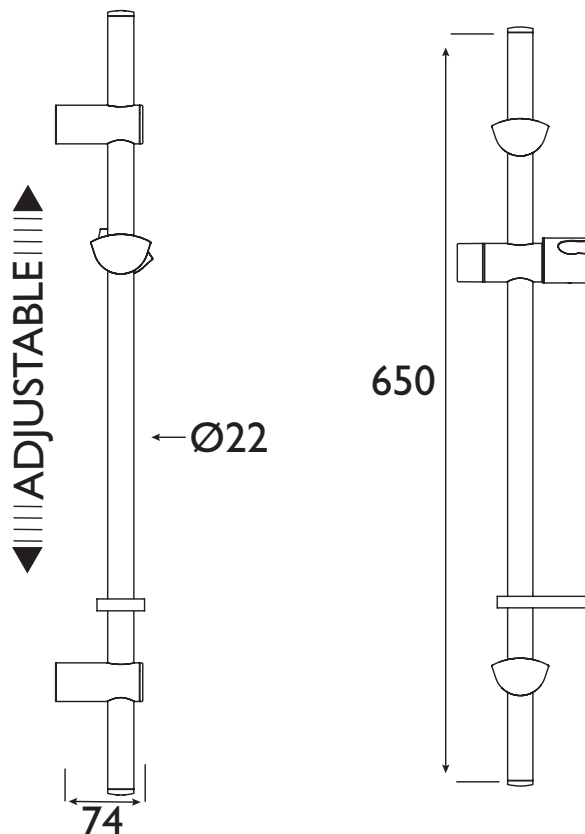
- 660mm Adjustable Riser Rail
- Complete with slider bracket and hose retainer
- Rail length 660mm
- Rail diameter 22mm

Product Certifications:

For more Shower Accessories,
please visit our website:



Dimensions (measurements in mm)



**TECHNICAL
DATA
SHEET**



BRISTAN
TAPS & SHOWERS

D1