



Specification

Main Construction Material:	ABS
Connection Inlet:	15mm pipework with at least 40mm protruding
Connection Outlet:	1/2" BSP
Contemporary or Traditional:	Contemporary
Finish Colour:	Chrome
Isolation Included:	No
Left or Right Handed:	Both
Rub Clean Handset:	N/A
Maximum Pressure (bar):	16

Features:

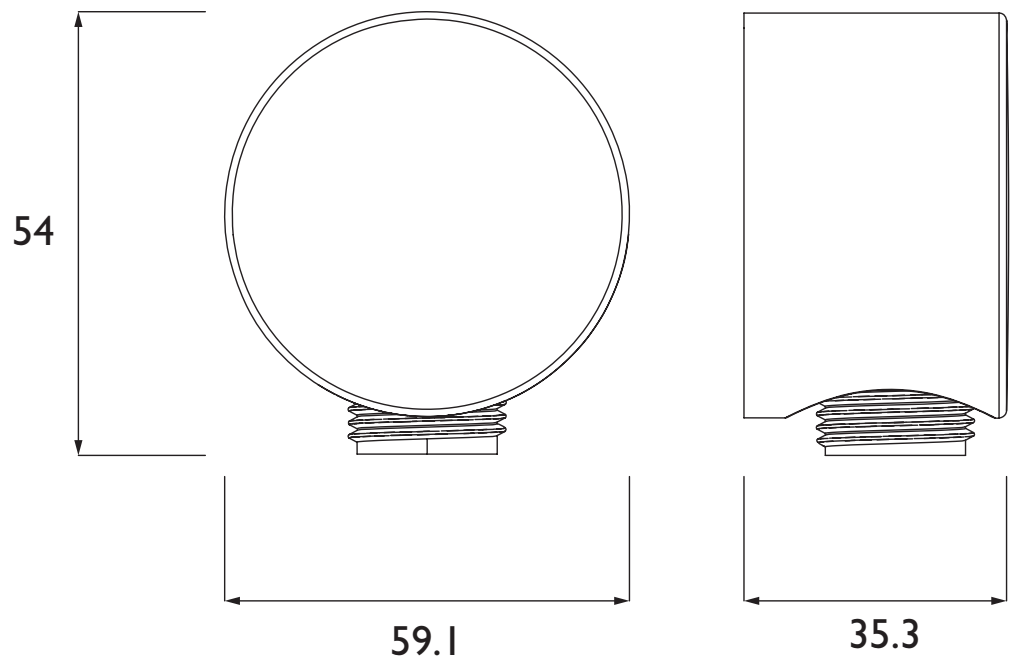
- Chrome plated to BS EN 248:2002
- Used to connect a hose to a concealed shower valve
- Creates a contemporary, clean look in your bathroom
- To be used in conjunction with Bristan concealed shower valves
- Unique EasyFit technology for a quick installation

Product Certifications:

For more products, visit our website:
<http://www.bristan.com>



Dimensions (measurements in mm)



**TECHNICAL
DATA
SHEET**



BRISTAN
TAPS & SHOWERS

D2