

PM2 SQSHXAR C

PRISM Shower Range Prism Exposed Sequential Chrome Shower Valve with Adjustable Riser Kit



Features:

- 15mm inlet connections
- Easy replacement with adjustable inlets so you can use on existing pipework centres between 136mm and 158mm
- Thermostatic cartridge with preset temperature stop at 42°C
- Supplied with 2 x 8L/min flow regulators
- Includes riser rail with adjustable fixing bracket, rub-clean anti-limescale handset and hose

Product Certifications:



WRAS Cert. Number: 2205903
WRAS Expiry Date: 31/05/2027



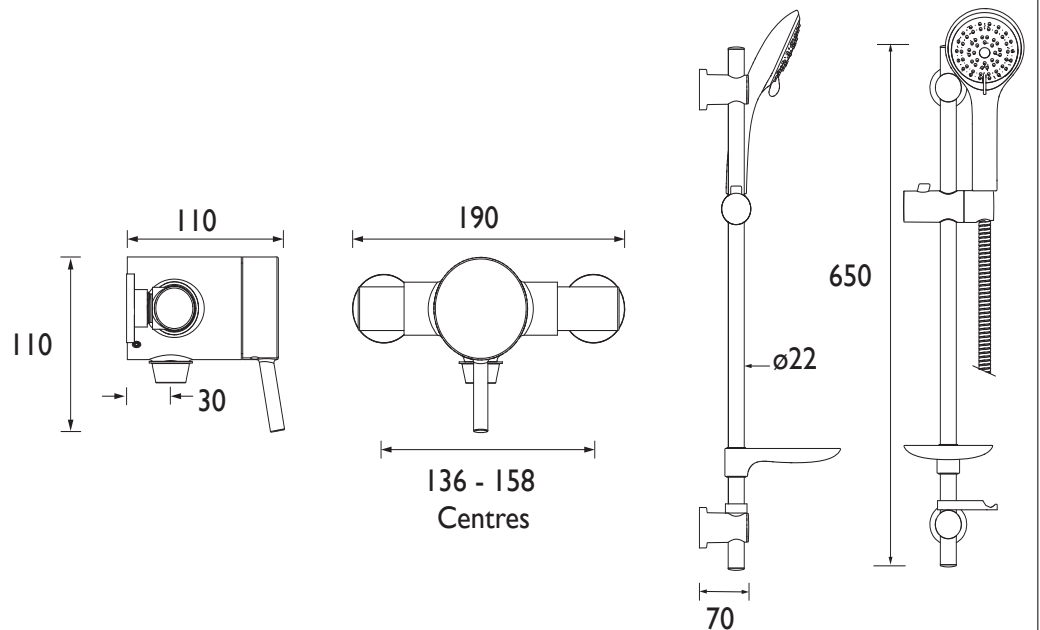
For more products, visit our website:
<http://www.bristan.com>



Specification

| | |
|--|-----------------------------------|
| Finish/Colour: | Chrome |
| Main Construction Material: | Brass |
| No of Controls: | 1 |
| Shower Type: | Bar Shower |
| Shower Head Type: | Adjustable |
| Shower Kit: | Adjustable Riser |
| Valve/Cartridge Type: | Thermostatic Cartridge |
| Maximum Hot Water Supply Temperature °C: | 65 |
| Plumbing System Suitability: | Suitable for all plumbing systems |
| Minimum Dynamic Pressure (bar): | 0.1 |
| Maximum Dynamic Pressure (bar): | 5.0 |
| Maximum Static Pressure (bar): | 10 |
| Connection Inlet: | 15mm Compression |
| Connection Outlet: | 1/2" |
| Isolation Valve Included: | N |
| Check Valve Included: | N |

Dimensions (measurements in mm)



Flow Rates (l/min)

| System Pressure (bar) | 0.1 | 0.5 | 1 | 2 | 3 | 5 |
|-------------------------------|-----|-----|-----|------|------|------|
| Valve Only/Largest FR (mixed) | 2.4 | 5.5 | 7.7 | 10.9 | 13.4 | 17.3 |
| Through Handset (mixed) | 2.4 | 5.5 | 7.7 | 10.9 | 13.4 | 17.3 |
| With Flow Limiters (mixed) | | 6.5 | 9.7 | 13.7 | 13.4 | 12.3 |

TECHNICAL DATA SHEET



BRISTAN

D4