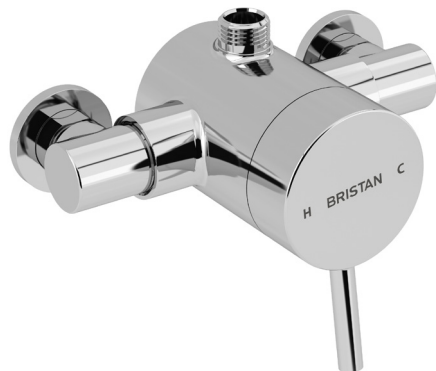


# PM2 SQSHXTVO C

## PRISM Shower Range Prism Exposed Sequential Top Outlet Shower Valve Only



### Specification

<b>Style:</b>	Contemporary
<b>Finish/Colour:</b>	Chrome
<b>Main Construction Material:</b>	Brass
<b>No of Controls:</b>	1
<b>Shower Type:</b>	Sequential
<b>Temperature Control:</b>	Thermostatic
<b>Shower Head Type:</b>	
<b>Maximum Temperature Setting: °C</b>	42
<b>Maximum Hot Water Temperature: °C</b>	65
<b>Dynamic Pressure Range: (bar)</b>	Min 0.1 Bar, Max 5.0 Bar
<b>Maximum Static Pressure: (bar)</b>	10
<b>Plumbing System Suitability:</b>	Suitable for all plumbing conditions
<b>Flow Rate (l/min @ 3 bar)</b>	13.8
<b>Flow Regulator:</b>	Yes
<b>Connection Inlet:</b>	15mm Compression
<b>Connection Outlet:</b>	15mm Compression
<b>Isolation Valve Included:</b>	No
<b>Check Valve Included:</b>	Yes

### Features:

- Top outlet
- Adjustable inlet centres mean you can use existing pipework with centres between 136mm and 158mm
- Supplied with 8l/m flow limiters
- Chrome plated to BS EN 248
- Matching taps available

### Product Certifications:



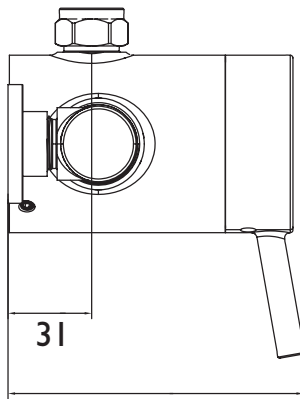
WRAS Cert. Number: 2207908  
WRAS Expiry Date: 31/07/2027



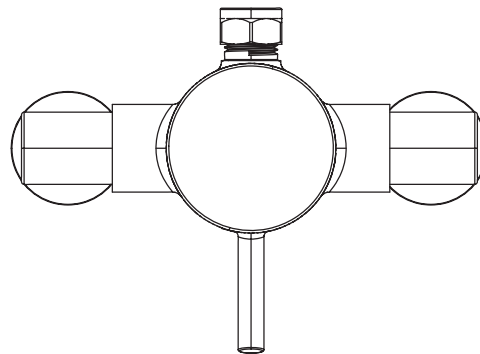
For more products, please visit our website:



### Dimensions (measurements in mm)



110



Centres  
136-158

### Flow Rates (l/min)

System Pressure (bar)	0.1	0.2	0.5	1	2	3	5
With Flow Regulators			12.5	13	14.1	14.1	11.6
Without Flow Regulators	5.9	10.3	18	26.4	37.2	46.4	58.5

**TECHNICAL  
DATA  
SHEET**



**BRISTAN**  
TAPS & SHOWERS

D4