

PRISM BLK SHWR PK

PRISM Shower Range

Black Prism Shower Pack



Features:

- This versatile shower pack contains a Black Prism shower valve with integral two outlet diverter. It has a slimline 200mm round fixed head with shower arm; and shower kit with an adjustable riser rail, multi function handset and outlet
- Rub-clean anti-limescale fixed head and handset
- A black finish that will make a statement in any bathroom
- The shower valve has been designed to fit in any UK wall cavity and therefore only needs a 35mm deep cavity space
- Dual control - flow and temperature are controlled separately
- Fully serviceable from the front
- Rub-clean anti-limescale fixed head and handset
- 15mm inlet connections

Product Certifications:



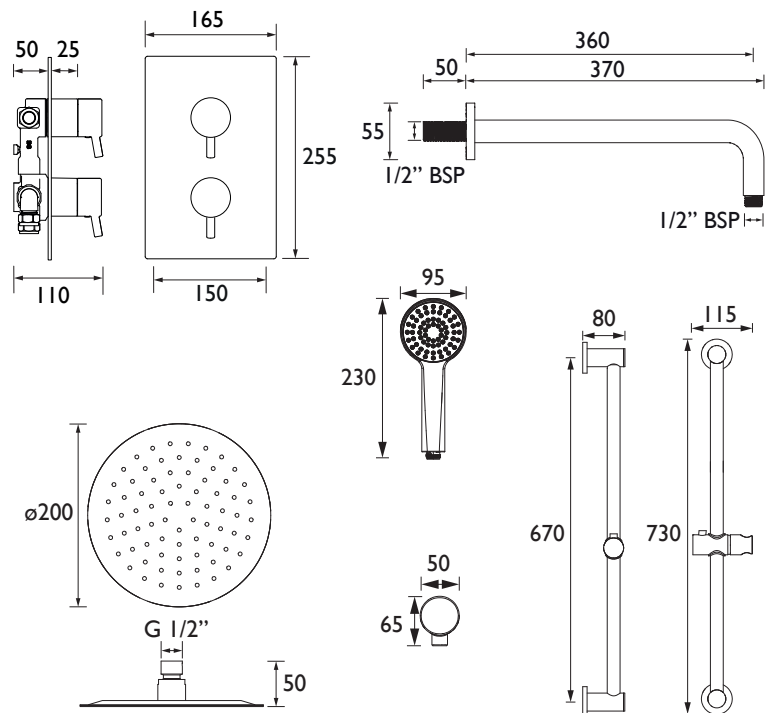
For more products, visit our website:
<http://www.bristan.com>



Specification

Finish/Colour:	Black
Main Construction Material:	Brass; ABS
No of Controls:	2
Shower Type:	Dual Control
Shower Kit:	Fixed Head and Adjustable Riser Kit
Valve/Cartridge Type:	35mm Thermostatic Cartridge
Maximum Hot Water Supply Temperature °C:	65
Plumbing System Suitability:	Suitable for all plumbing systems
Minimum Dynamic Pressure (bar):	0.2
Maximum Dynamic Pressure (bar):	5
Maximum Static Pressure (bar):	10
Connection Inlet:	15mm Compression
Connection Outlet:	G 1/2"
Isolation Valve Included:	No
Check Valve Included:	Yes

Dimensions (measurements in mm)



Flow Rates (l/min)

System Pressure (bar)	0.2	0.5	1	2	3	5
Through Handset (mixed)	2.3	4.2	6.4	8.4	9.6	10.4
Through Fixed Head (mixed)	3.5	6.1	7.9	9	9.2	9.3
Through Handset (without flow regulators)	2.9	5	7.5	11	13	17.4
Through Fixed Head (without flow regulators)	5.9	10.4	15.3	20.7	7.5	8.6

TECHNICAL DATA SHEET



BRISTAN