

QD SHXDIVFF C

QUADRATO Shower Range Quadrato Exposed Fixed Head Bar Shower with Diverter & Kit



Features:

- All in one box - pack includes bar shower valve, hose, telescopic rigid riser rail and rub-clean anti-limescale drench head and multi function handset so nothing to buy separately
- Supplied with a fast fit Wallmount 12 fixing kit with built-in front of wall isolation valves on both the hot and cold feed, making it simple to fit, maintain and replace.
- Telescopic riser so you can adjust the height to suit your space. Giving you the flexibility to fit in a wet room/walk in shower or over a bath.

Product Certifications:



WRAS Cert. Number: 2207905
WRAS Expiry Date: 31/07/2027



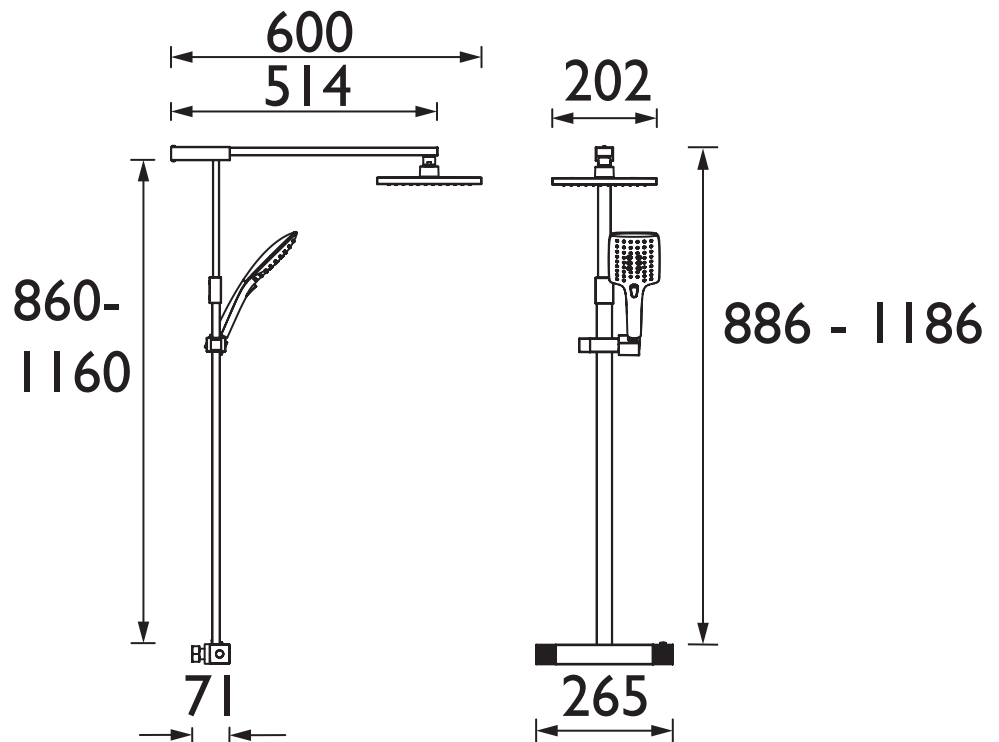
For more products, visit our website:
<http://www.bristan.com>



Specification

| | |
|-------------------------------------|--|
| Product Type: | Mixer Shower |
| Main Construction Material: | Brass |
| Connection Inlet: | 15mm Compression |
| Connection Outlet: | G ½" |
| Number of Controls: | 2 |
| Flow Control Valve Type: | Thermostatic Cartridge |
| Plumbing System: | Suitable for all plumbing systems |
| Minimum Dynamic Pressure: (bar) | 0.5 |
| Maximum Dynamic Pressure: (bar) | 5.0 |
| Maximum Static Pressure: (bar) | 10 |
| Maximum Hot Water Temperature: (°C) | 80 |
| Pre-set Outlet Temperature: (°C) | 38 |
| Isolation Included: | No |
| Check Valve Supplied: | No |
| Shower Kit: | Telescopic rigid riser with fixed head |

Dimensions (measurements in mm)



Flow Rates (l/min)

| System Pressure (bar) | 0.5 | 1 | 2 | 3 | 5 |
|----------------------------|-----|-----|-----|-----|------|
| Through Handset (mixed) | 3.9 | 5.5 | 7.8 | 9.6 | 12.4 |
| Through Fixed Head (mixed) | 4.0 | 4.4 | 6.3 | 8.9 | 12.6 |

TECHNICAL DATA SHEET



BRISTAN

D17