

R2 SHXRR C

REGENCY Shower Range

Regency2 Thermostatic Surface Mounted Dual Control Shower Valve with Rigid Riser Chrome



Features:

- 15mm inlet connections
- Easy replacement with adjustable inlets so you can use on existing pipework centres between 110mm and 155mm
- Thermostatic cartridge with preset temperature stop at 42°C
- TMV2 thermostatic control for a higher level of performance and protection
- Supplied with 1 x 7L/min and 1 x 5L/min flow regulators

Product Certifications:

WRAS Certificate No: 1904904
WRAS Expiry Date: 30/04/2024



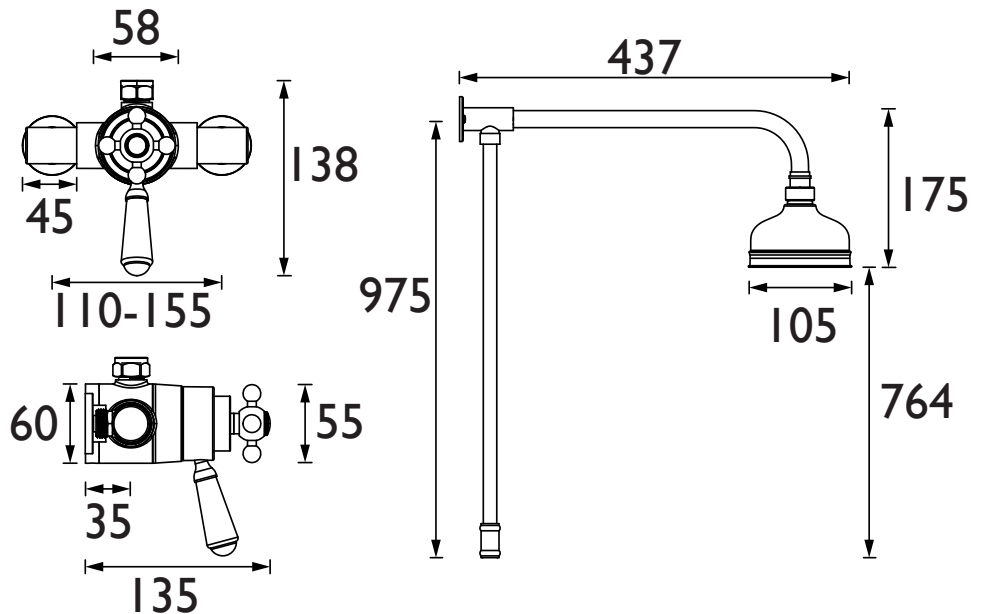
TMV2 Cert. No: NSF2124/0619
TMV2 Expiry Date: 13/06/2024



Specification

| | |
|--|-----------------------------------|
| Finish/Colour: | Chrome Plated |
| Main Construction Material: | Brass |
| No of Controls: | 2 |
| Shower Type: | Thermostatic |
| Shower Head Type: | Fixed Head |
| Shower Kit: | Rigid Riser |
| Valve/Cartridge Type: | Thermostatic |
| Maximum Hot Water Supply Temperature °C: | 65 |
| Plumbing System Suitability: | Suitable for all plumbing systems |
| Minimum Dynamic Pressure (bar): | 0.1 |
| Maximum Dynamic Pressure (bar): | 5 |
| Maximum Static Pressure (bar): | 10 |
| Connection Inlet: | 15mm Compression Elbows |
| Connection Outlet: | G 1/2" |
| Isolation Valve Included: | No |
| Check Valve Included: | Yes |

Dimensions (measurements in mm)



Flow Rates (l/min)

| System Pressure (bar) | 0.1 | 0.5 | 1 | 2 | 3 | 5 |
|----------------------------|-----|------|------|------|------|------|
| Valve Only (mixed) | 5.6 | 12.5 | 17.7 | 25 | 30.6 | 39.5 |
| Through Fixed Head (mixed) | 2.4 | 5.4 | 7.6 | 10.8 | 13.2 | 17 |

TECHNICAL
DATA
SHEET



BRISTAN

D8