

FZ SHXMMCTFF C

FRENZY Shower Range FRENZY Safe Touch Bar Mixer with Fast Fit Connections and Multi Mode Kit



Specification

Product Type:	Thermostatic Bar Shower
Main Construction Material:	Brass
No of Controls:	2
Shower Type:	Bar Shower
Shower Head Type:	Adjustable
Flow Control Valve Type:	Thermostatic Cartridge
Maximum Hot Water Supply Temperature °C:	60
Maximum Static Pressure: (bar)	10
Plumbing System:	Suitable for all plumbing systems
Min Dynamic Pressure:	0.2 Bar
Max Dynamic Pressure:	5.0 Bar
Connection Inlet:	15mm Compression
Connection Outlet:	G 1/2"
Isolation Valve Included:	Yes
Check Valve Included:	Yes

Features:

- Supplied with our wallmount 12 fixing kit. The simplest solution for installing, maintaining and replacing bar showers, using built in front-of-wall isolation valves.
- Unique Safe Touch technology ensures the valves stays cool to the touch while in use
- Dual control - flow and temperature are controlled separately
- 15mm inlet connections.

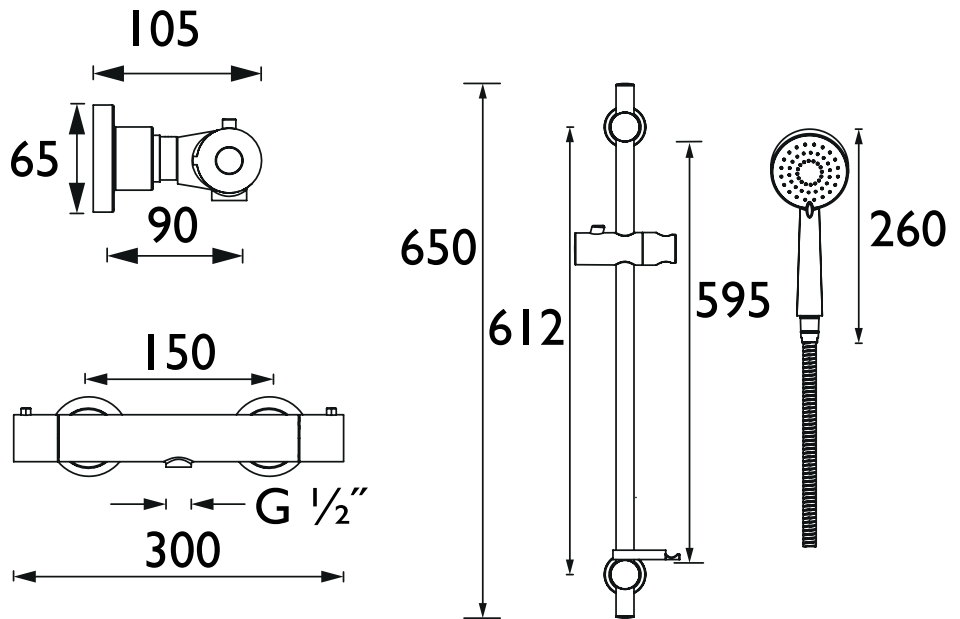
Product Certifications:



WRAS Cert.
Number: 2001911
WRAS Expiry
Date: 31/01/2025



Dimensions (measurements in mm)



Flow Rates (l/min)

System Pressure (bar)	0.2	0.5	1	2	3	5
FZ SHXMMCTFF C (Handset)	2.5	4.7	7.1	10.7	13.4	17.6

TECHNICAL
DATA
SHEET



BRISTAN

D16