

TFP4001

COMMERCIAL Shower Range Timed Flow Shower Panel With Adjustable Head



Specification

Style:	Contemporary
Finish/Colour:	Chrome
Main Construction Material:	Steel
No of Controls:	1
Shower Type:	Timed Flow Shower
Maximum Static Pressure: (bar)	10
Plumbing System Suitability:	All - Ideally Balanced
Working Pressure Range:	Min. 1.0 Bar - Max. 5.0 Bar
Connection Inlet:	3/4" BSP male telescopic connection
Connection Outlet:	N/A
Check Valve Included:	No
Flow Type:	Single Flow

Features:

- Supplied pre-plumbed and ready for connection to a pre-blended supply
- Water saving push button operation with timed flow
- Vandal resistant shower head with adjustable spray angle
- Easy installation
- 15mm inlet connection

Product Certifications:



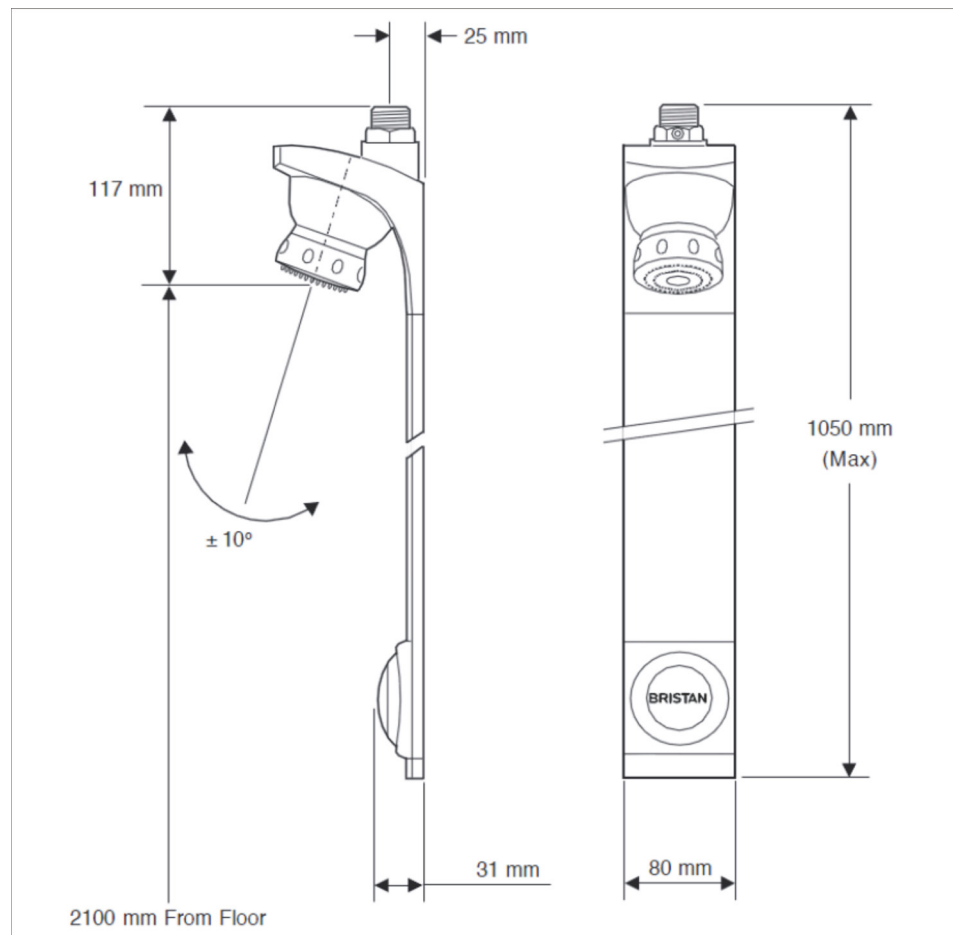
WRAS Cert. Number: 2201349
WRAS Expiry Date: 31/01/2027



For more products, visit our website:
<http://www.bristan.com>



Dimensions (measurements in mm)



Flow Rates (l/min)

System Pressure (bar)	1	2	3	5
Through Handset (mixed)	8	10	10	10

TECHNICAL
DATA
SHEET



BRISTAN

D4