

GAINSBOROUGH™



INSTALLATION GUIDE

EXPOSED MANUAL MIXER VALVE
WITH ADJUSTABLE KIT

Contents

General Information	2
Tools Required (Tools not supplied)	3
Warranty	3
Before You Start	3
Water Supply Requirements	4
Installation	5
Shower Valve Components	5
Shower Valve Installation	5
Shower Kit Components	8
Fitting the Shower Kit - Rail Assembly	8
Cleaning the Cartridge	10
User Instructions	12
General Cleaning	13
Troubleshooting	14

General Information

This product must be fitted in compliance with the UK Water Supply (Fittings) Regulations. If in doubt please contact your local water authority.

Tools Required (Tools not supplied)



TAPE
MEASURE



SPIRIT
LEVEL



SPANNER



PENCIL



SCREWDRIVER



DRILL



DRILL BIT

We have taken great care to ensure that this product reaches you in perfect condition. However should any parts be damaged or missing please contact your point of purchase. This does not affect your statutory rights. In addition if you require replacement parts please contact the Gainsborough customer helpline on 01959 560760 for assistance.

Warranty

Gainsborough products are supplied complete with a 1 year guarantee that can be upgraded by registering this product with Gainsborough.

For details see: www.gainsboroughshowers.co.uk/warranty

Before you start

This shower should be installed by a competent person in compliance with current Water Supply Regulations. For further details contact your Local Water Authority.

- a. Identify all components and check pack contents.
- b. Turn off water supplies.
- c. Suitable full bore isolation valves must be fitted to both supplies in accordance with current Water Supply Regulations and our terms of warranty. Valves must be accessible for warranty and servicing.



Before making any pipe connections all supplies **MUST** be thoroughly flushed to remove any debris.

Water Supply Requirements

Hot Water Maximum: 65 °C

Cold Water Minimum: 5 °C

Recommended 60-65 °C

Recommended 10-15 °C

Always maintain a 10 °C difference between hot system temperature and maximum hot setting of valve.

Operating Pressure Range: Min. 0.15 bar, Max. 5.0 bar

Operating pressures: Hot and cold supplies must be equal pressures in order to ensure the maximum efficiency of the mixer.

When water pressure is higher than 5 bar a pressure reducing valve (not supplied) must be fitted before the mixer. A setting of 3 bar is recommended.

This valve is suitable for gravity stored, gravity boosted (pumped), balanced high pressure and combination boiler systems.

For gravity and gravity pumped systems use 22mm supply pipes and reduce to 15mm for connection to the shower valve.

Pump Installation: PUMPS MUST NOT BE FITTED DIRECTLY TO A WATER MAIN. REFER TO PUMP MANUFACTURERS INSTALLATION GUIDELINES. Ensure there is adequate flow through the pump to activate the flow switches.

Combination boiler: MUST have a minimum rating of 24kW (80,000 Btu) and be of the type fitted with a fully modulating gas valve. **N.B.** Boiler performance may affect outlet temperature.



Not suitable for mixed water supplies, i.e. gravity hot and mains cold.

Installation

This product is suitable for concealed, falling and rising inlet supply pipes.

1. Ensuring adequate provision to allow the water to discharge safely to waste, turn on the supplies to flush the system through. Attach pressure test equipment and pressure test the system in accordance with Water Supply Regulations.

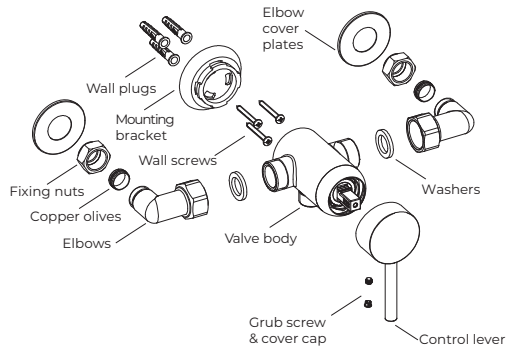
N.B. Turn off the water supply following system flushing.

2. Construct suitable 15mm inlet supplies at level 150mm centres. For concealed pipework ensure the pipes protrude a minimum working length of 100mm, measured from the intended finished wall surface.

Inlet water supplies

As viewed from front on:
Left = HOT
Right = COLD

Pipe centres: 150± 1mm
Pipe tails: 10-18mm
from finished surface



3. Once the wall surface has been finished, flush through the pipe work prior to trimming the length of the pipes to 10-18mm, measured from the finished wall surface.

N.B. We recommend using a rotary type cutter but if a hacksaw is used, ensure the cut is straight and the pipe ends must be carefully deburred and chamfered.

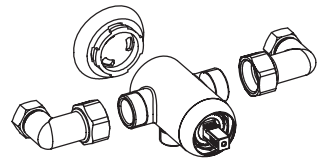
N.B. If plastic pipe is used, tube inserts must be fitted and must not increase the diameter or extend the cut off length by more than 2mm.



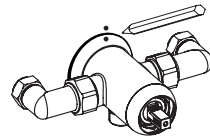
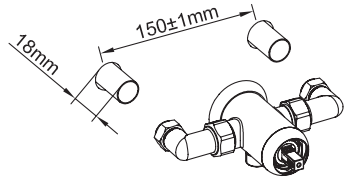
We recommend to apply a suitable sealant around the incoming pipe work to stop water entering the wall.

4. Temporarily fit the inlet elbows to the valve connections and the*mounting bracket to base of the valve.

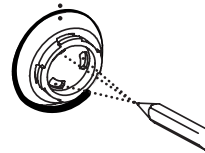
*Note: to fit the valve body to the mounting bracket, push and twist to engage the lugs.



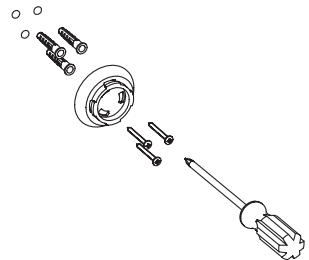
5. Place valve body against the wall with elbows over the pipe tails and mark around the base where it sits on the wall. **To ensure the valve will be straight upon fixing to the wall, mark both the finished wall and the mounting plate with a central dot.** These dots will be used for ease of alignment when fixing the bracket to the wall.



6. Remove the mounting bracket from the valve body and place it in the centre of the outlined valve position. Align the dots made in step 5 and mark the points for the fixing holes.

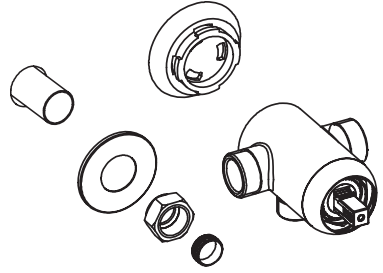


7. Drill holes for fixings suitable for the wall type / construction. Use the wall plugs and screws supplied if suitable and secure the mounting bracket to the wall.



- Without the elbows attached, fit the valve body to the *mounting bracket and place the elbow cover plates, fixing nuts and copper olives over the pipe tails.

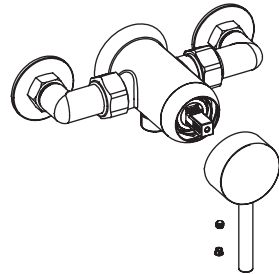
*Note: to fit the valve body to the mounting plate, push and twist to engage the lugs.



- Slide the elbows onto the pipe tails, push fully home and loosely attach the nuts.
- Ensuring that the rubbers seals are in place connect the elbows to the valve body.
- Securely tighten all nuts of the elbows using a suitable spanner.

- Fit the control handle to the valve, tighten the grub screw using the hexagonal key and fit the cover cap.

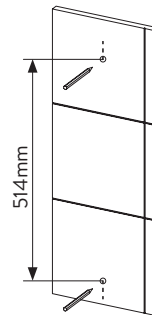
- Turn on water supplies and check for leaks.



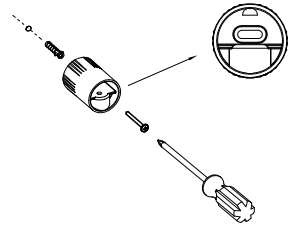
Fitting the Shower Kit - Rail Assembly

ADJUSTABLE SHOWER KIT	NO.	DESCRIPTION	QTY
	1	Wall Plug	2
	2	Rail Fixing Bracket	2
	3	Wall Screw	2
	4	Rail End Cap	2
	5	Handset Holder	1
	6	Handset	1
	7	Riser Rail	1
	8	Hose Washer	2
	9	Shower Hose - 1.25m	1

- Using a level and tape measure prepare two fixing points 514mm vertically apart using the fixings provided, if suitable.



2. Fit the handset holder to the rail.
N.B. The handset holder button must be depressed whilst fitting.



3. Secure the upper rail bracket into position on the finished wall surface using the wall screw provided (if suitable).
4. Attach the lower rail bracket onto the rail and offer the rail into the top bracket ensuring that the slot of the rail locates onto the lug of the bracket.
5. Secure the lower rail bracket to the wall, using the wall screw provided (if suitable).
6. Place the rail end caps into the brackets and push firmly into position.
7. Ensuring the hose washer is in the correct position; attach the non-conical end of the hose to the valve body. Run the shower to clear any debris that may be present.
8. Ensuring that the hose washer is in position, attach the shower head.
9. Place the hose in the handset holder.

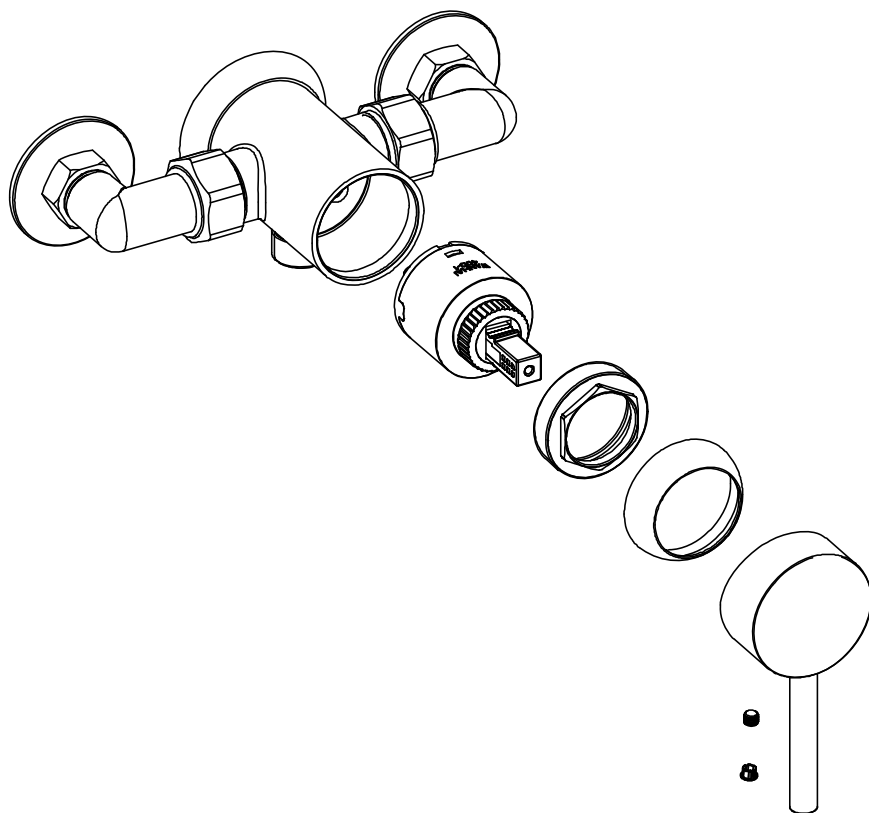
Cleaning the Cartridge

See image page 11.

1. Before carrying out any maintenance, ensure the water supplies are isolated. Once isolated, turn the shower on to release internal pressure.
If unsure contact a qualified tradesman.
2. Carefully remove the control handle cover cap by inserting a suitable tool and levering out.
3. Using a 2.5mm hexagonal key, loosen the grub screw and remove the control handle.
4. Unscrew the chrome cover ring.
5. Remove the large brass locking nut using a suitable spanner.
6. Prior to removing the cartridge, take note of its orientation as it must be refitted the same way.
7. Using a suitable pair of grips pull the cartridge free from the valve body. Rinse the cartridge under cold water to remove any debris or limescale build up and grease the o-rings prior to re-fitting.
8. If necessary, replace the cartridge. A replacement cartridge can be obtained by contacting customer service on 01959 560760.
9. Refit the cartridge into the valve body by lining up the two keyways (located at the top left and right) and ensuring the positioning mark (made in point 6) is aligned.
10. Refit the brass locking nut (taking care not to over-tighten), screw on the chrome cover ring and place the control handle back into position (lever at the 6 o'clock position).
11. Tighten the grub screw and fit the cover cap by pressing into position.
12. Reinststate the water supply and ensure there are no leaks.

Cleaning the Cartridge

See instructions page 10.



User Instructions

Shower valve

The valve and fixings **MUST NOT** be used as a grab rail or means of support.

To turn the shower on lift the lever until the desired flow is achieved.

For cooler temperature - rotate anticlockwise.

For warmer temperature - rotate clockwise.

Note: with all Gainsborough shower valves fitted to combination boiler systems, it may be necessary to adjust the control lever and reduce the flow to achieve a comfortable showering temperature.



Important: This mixer shower is **not** thermostatic and **will not** prevent water from flowing from the shower head should there be a loss of one of the water supplies to the mixer.

Shower head and rail system

NEVER ATTEMPT TO MAKE ANY ADJUSTMENT TO THE SHOWER HEAD BY PULLING ON THE SHOWER HOSE.

1. To select the preferred height of the handset fully depress the button on the holder, the slider can then be moved up or down the rail.
2. Angular adjustment is made by carefully but firmly pulling forwards or pushing back the shower head towards the wall.

Note: the tension of the handset holder can be adjusted with a screwdriver.

General Cleaning

Whilst modern plating techniques are used in the manufacture of these fittings, the plating will wear if not cleaned properly. The safest way to clean your product is to wipe with a soft damp cloth. Stains can be removed using washing up liquid.

Do not use abrasive cleaners.

Limescale

Rub the nozzles of the shower head to break down scale build up. Should chemical descaling of the head become necessary, remove the shower head and fully immerse in a mild proprietary descaler.

It is imperative that descaling is carried out strictly in accordance with the manufacturers instructions. Substances that are not suitable for plastics and electroplated surfaces must not be used.

Trouble Shooting

Symptom	Possible Cause	Remedy
Water leaking from shower head.	This is normal for a short time after turning off.	Adjust angle of shower head in holder as necessary to vary draining time. Clean shower head.
	Shower flow valve failing to close fully, possibly due to water borne debris.	Remove cartridge and check. See page 10 before dismantling shower valve.
Only hot or cold water from the shower valve outlet.	Partially closed stop or service valve in water supply pipework to the shower valve.	Open stop or service valve.
	Mixer cartridge is partially blocked.	Clean or replace, flush through pipework before refitting.
Control dial stiff to operate.	Debris/Scale build up.	See page 10.
No flow or low flow rate and/or varying temperatures.	Check shower head, hose and inline filters for any blockages.	Clean as necessary. See page 12 - 13.
	Partially closed stop or service valve in water supply pipework to the shower valve.	Open stop or service valve.
	Instantaneous water heater cycles on and off as the flow rate or pressure is too low.	Increase water flow rate or pressure through system. Contact the boiler manufacturer.
	Head of water is below the minimum distance required or insufficient to activate pump (gravity supply only).	Raise the cistern or fit a universal booster pump. Refer to pump manufacturers guidelines.
	Hot or cold water being drawn off elsewhere causing pressure changes or instantaneous boiler temperature changes.	Do not use other water outlets when using the shower. This shower is not thermostatically controlled and flow rates and temperature will be affected when other water outlets are used.
	Make sure the maintained inlet pressures are nominally balanced and sufficient.	See Water Supply Requirements page 4.
	Airlock or partial blockage of the pipework (gravity supply only).	Flush through pipework to ensure removal of debris and any airlocks.
	No hot or cold water reaching the shower valve.	Check hot and cold supplies.

Symptom	Possible Cause	Remedy
Outlet water temperature too hot/cold.	Mixer cartridge is partially blocked.	Check cartridge for any blockages and clean as necessary. (See page 10).
	Installation conditions outside operating parameters.	See Water Supply Requirements page 4. Refer to Cleaning the Cartridge section see page 10.
	Hot water temperature is less than 10°C above the required blend temperature.	Adjust hot water temperature or wait for water to reheat if stored system is used.
	Instantaneous water heater not igniting because water flow rate is too low.	Increase water flow rate through the system. Check hose and cartridge - clean or replace. See page 10. Contact the boiler manufacturer.
Shower controls noisy while in use.	Working pressure too high.	Fit a pressure reducing valve.



Gainsborough Showers
Customer Service Department
The Flyers Way
Westerham Kent TN16 1DE

Aqualisa International
Jan Palfijnstraat 26/002
Kortrijk
Belgium 8500

Customer Helpline: 01959 560760
Fax: 01959 560030
Website: www.gainsboroughshowers.co.uk
Email: enquiries@gainsboroughshowers.co.uk
Warranty: www.gainsboroughshowers.co.uk/warranty

Part No. 706103 Issue 01 Oct 21