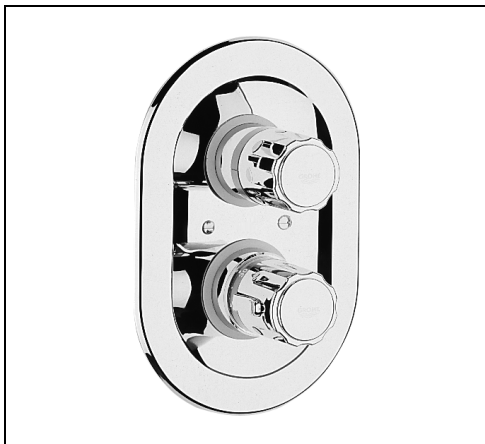




WATER TECHNOLOGY

Automatic 2000



19 605 mit Basic- (Clova-) Griff

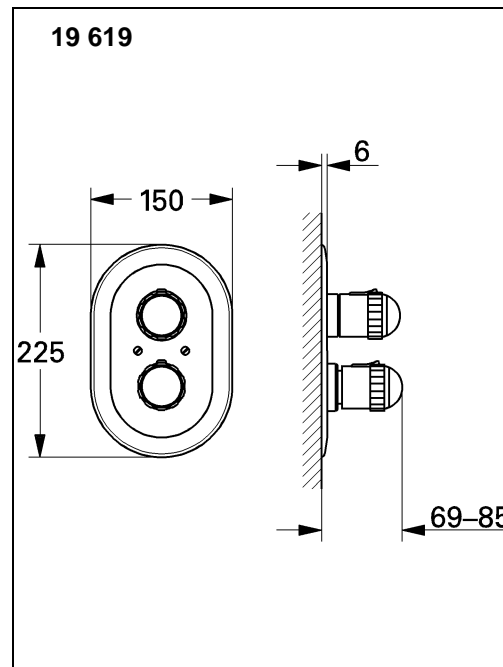
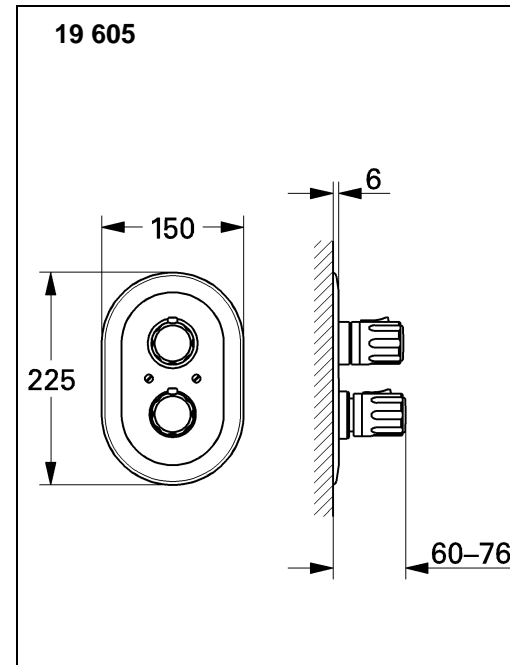
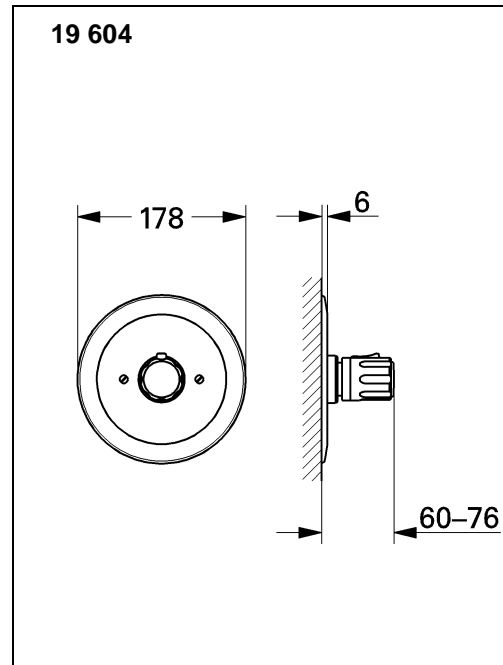


19 619 mit Trend-Griff

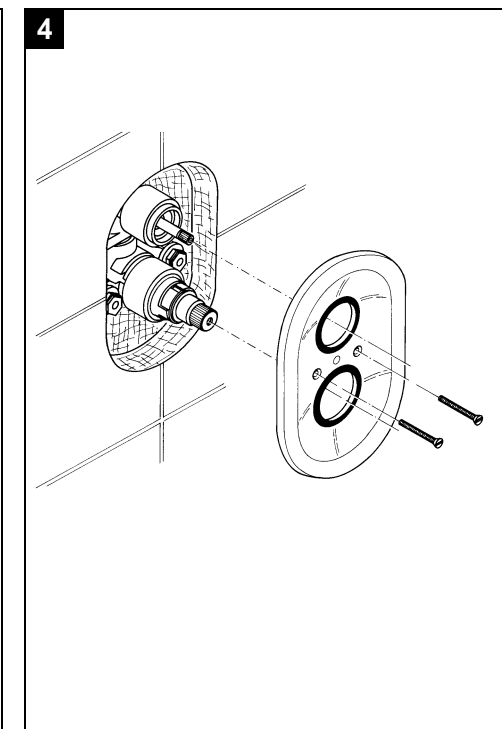
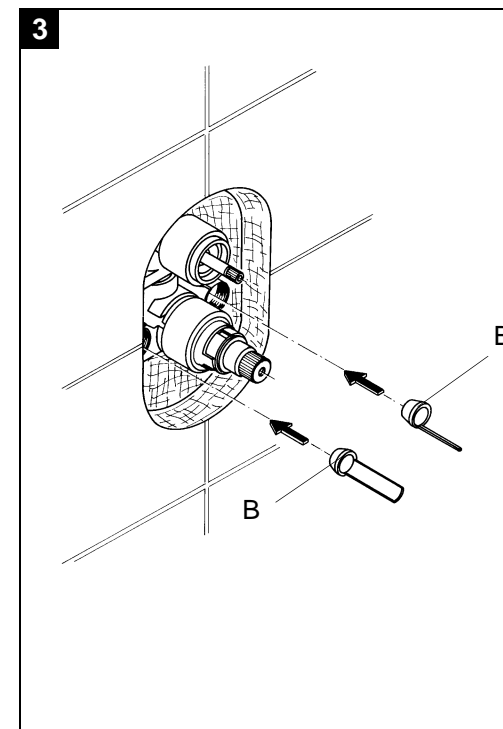
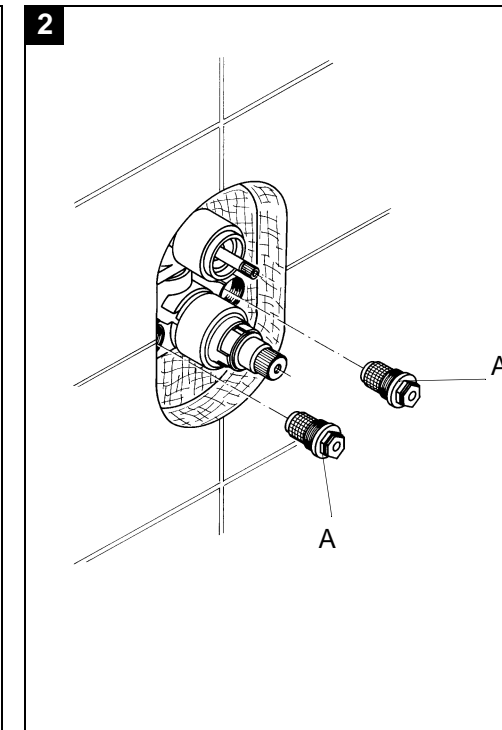
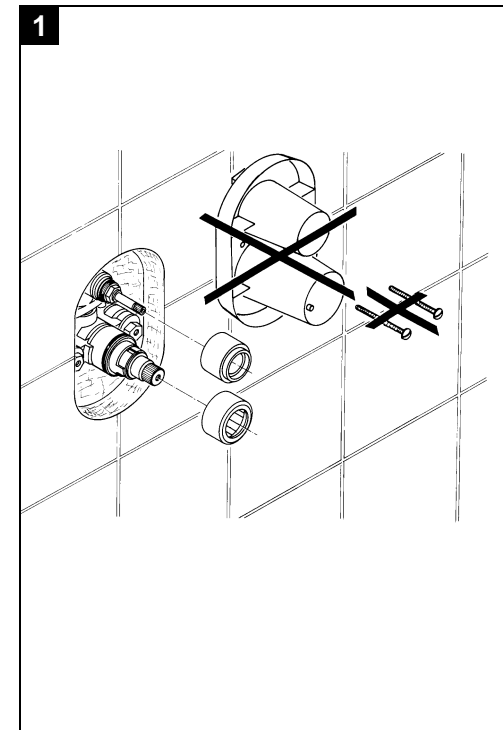


19 604 mit Basic- (Trend-) Griff

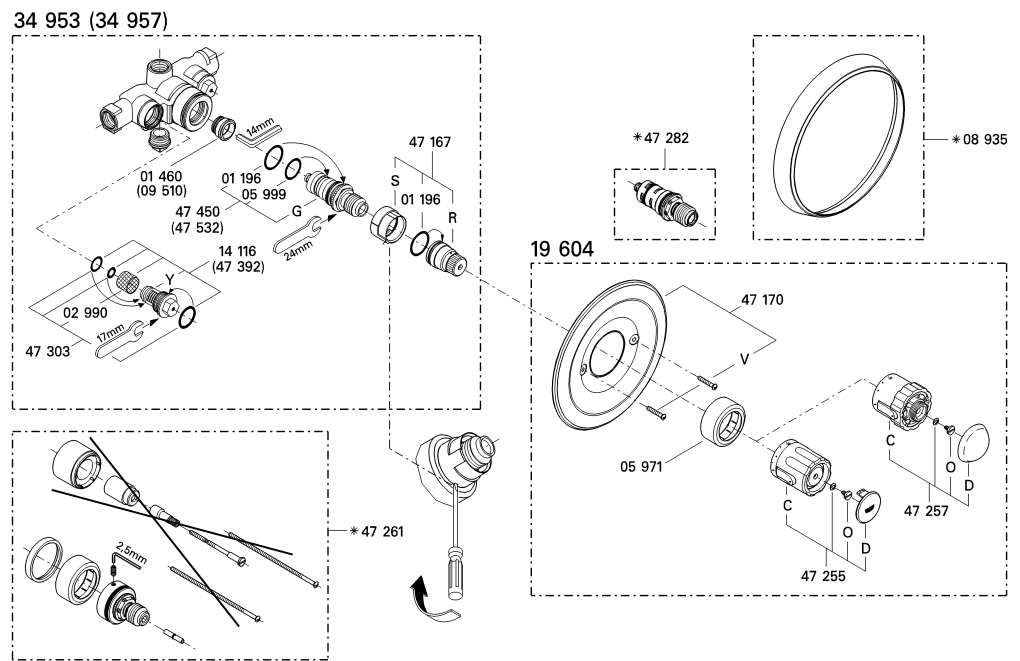
- D** Seite 1 **I** Pagina...5 **N** Side 9
GB Page 2 **NL** Pagina...6
F Page 3 **S** Sida.....7
E P gina .. 4 **DK** Side.....8



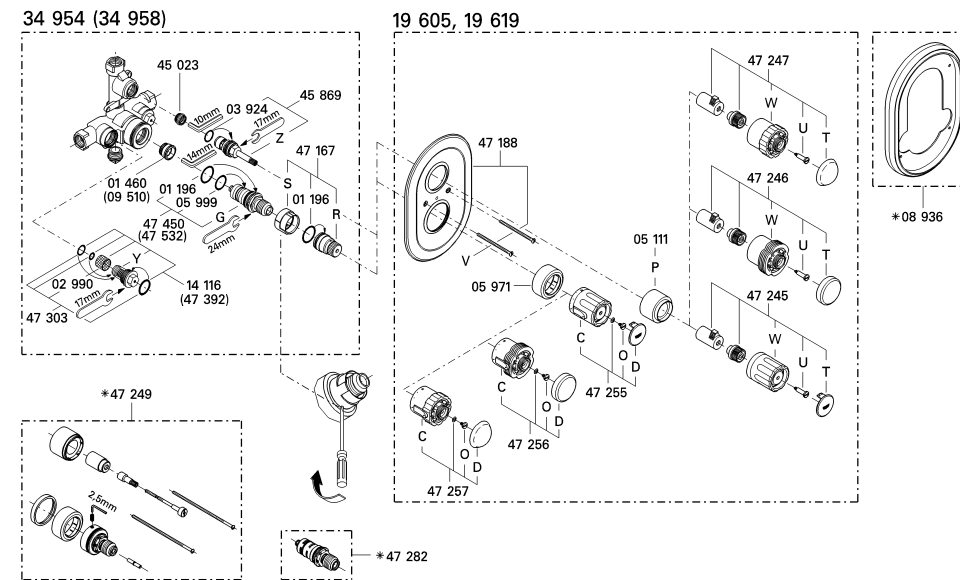
Bitte diese Anleitung an den Benutzer der Armatur weitergeben!
Please pass these instructions on to the end user of the fitting.
S.v.p remettre cette instruction à l'utilisateur de la robinetterie!



() = AUS NZ



() = AUS NZ



**Installation to finished stage**

- Plaster and tile the wall, excluding the area occupied by the mounting template. Seal any apertures in the wall so that they are watertight to spray water.
 - Tiles laid in mortar should be pointed so that the joint is tapered towards the outside.
 - Seal prefabricated walls with a permanently plastic compound.
- Remove the mounting template, and install sleeves, see fig. [1].

Flush out the pipelines.**Reversed union** (hot on right - cold on left).

Replace thermoelement (G), see replacement parts fold-out page II, ref. No.: 47 282 (1/2").

- Unscrew and remove non-return valve (A), see fig. [2].
- Insert flushing plug (B) in vacant non-return valve aperture, see fig. [3].
- Open the hot and cold water supplies and flush out the thermostatic mixer thoroughly.
- Close the hot and cold water supplies, remove plug (B) and install non-return valve (A).
- Secure escutcheon with screws, see Fig. [4].

If the thermostat has been installed at too great a depth, this can be adjusted by 27.5mm with an extension set (see fold-out page II, ref. No. 47 261).

If the thermostat has been installed at too shallow a depth, this can be adjusted by 20mm with a compensation ring (see fold-out page II, ref. No. 08 935 or 08 936).

Installation of the flow control knob and adjustment of the economy stop, see Figs. [5] to [7].

- The flow rate is limited by the economy stop (M) supplied, see Fig. [5].

To install the flow control knob, proceed as follows:

1. Close the ceramic headpart by turning clockwise.
2. Install the economy stop (M) in the desired position, see Fig. [5]. For possible settings, see Fig. [6].
3. Install splined adapter (L) and flow control knob (K) with economy button (N) pointing to the right. Install screw (H) and cap (I), see Fig. [7].

If a higher flow rate is desired, the stop can be overridden by depressing the economy button (N), see Fig. [7].

Adjustment**Installation of the thermostat knob and temperature adjustment**, see figs. [8] to [10].

- Before the mixer is put into service if the mixed water temperature measured at the point of discharge varies from the specified temperature set on the thermostat.
 - After any maintenance operation on the thermoelement.
1. Open the shut-off valve and check the temperature of the water with a thermometer, see fig. [8].
 2. Turn the adjusting nut (R) clockwise or anticlockwise until the water temperature reaches 38 °C, see fig. [8].
 3. Install thermostat knob (C) in such a way that the 38 °C mark on the knob coincides with the mark (F) on the wall plate, then tighten screw (E) securely, see fig. [9].
 4. Install cap (D), see Fig. [10].

Temperature limitation

The safety stop limits the temperature range to 38 °C. If a higher temperature is desired, the 38 °C stop can be overridden by pressing in the safety stop.

Prevention of frost damage

When the domestic water system is drained, thermostat mixers must be drained separately, since non-return valves are installed in the hot and cold water connections.

The complete thermostat assemblies and non-return valves must be unscrewed and removed.

Maintenance

For maintenance, see fold-out page II.

Shut off hot and cold water supplies.**I. Thermoelement**

1. Pull off or unscrew and remove cap (D) for thermostat knob.
2. Remove screw (O) and pull off thermostat knob (C).
3. Pull off or unscrew cap (T) for shut-off knob and remove screw (U).
4. Pull off shutoff knob (W).
5. Remove screws (V) and escutcheon.
6. Remove adjusting nut (R).
7. Pull off stop ring (S).
8. With a 24mm open-ended spanner, unscrew and remove thermoelement (G).

II. Non-return valve

1. Proceed as for maintenance of thermoelement, points 1 - 7.
2. Unscrew and remove non-return valve (Y) with 17mm socket wrench.

III. Ceramic headpart

1. Proceed as for maintenance of thermoelement, points 1 - 7.
2. Unscrew and remove sleeve (P).
3. With a 17mm open-ended spanner, unscrew and remove ceramic headpart (Z).

Inspect and clean all parts, replace if necessary and grease with special valve grease (ref. No. 18 012).

Replacement parts, see fold-out page II (* = special accessories).

Reassemble in the reverse order. Use only genuine **Grohe** replacement parts.

Readjustment is necessary after every maintenance operation on the thermoelement (see Adjustment).

Care

For directions on the care of this thermostat mixer, please refer to the accompanying Care Instructions.

