

Automatic 2000

C1.3

Concealed wall-mounted thermostatic shower mixers, 1/2in

Thermostatic concealed wall-mounted shower mixer.

- Thermostatic control
- Standard temperature range 20-50°C
- Safety over-ride at 38°C
- Polished chromium-plate, pale golden Sundance, or powder coat finish
- Available with integral or separate stopcocks
- Integral non-return valves

A range of matching showers and accessories is available.

Specification clauses

For installations with separate stopcocks The thermostatic bath/shower mixers shall be Barking-Grohe 'Automatic 2000' fittings, reference 34300/34300Z/34300D/34300L/34300Y installed in conjunction with matching stopcocks reference 29345/29345Z/29345D/29345L/29345Y.

For installations with integral stopcocks The thermostatic bath/shower mixers shall be Barking-Grohe 'Automatic 2000' fittings, reference 34310/34310Z/34310D/34310L/34310Y.

Hot and cold supply services shall terminate as 15mm od copper tube (or other approved material), hot on left, cold on right, and the fittings shall be connected to the supply using capillary/compression tap connectors to BS 864:Part 2:1983 (or other approved connectors appropriate to the pipework).

The fittings shall be installed in accordance with the manufacturer's instructions.

The thermostat shall be regulated in accordance with the manufacturer's instructions.

Manufacture, appearance

Body Cast brass.

Finish Polished chromium plate or polyester powder coat in Sundance, red, white or yellow.

Handles Plastic in chromium-plate finish, Sundance, or self-coloured plastic to match body.

Escutcheon plate Brass in chromium-plate or polyester powder coat finish.

Valve Wax cartridge thermostat (34300 and 34310); conventional screw-down valve, non-riding spindle (34310 and 29345).

Temperature indicator scale Graduated in increments of 5°C; white on black with red over-ride button.

Accessories

Optional

47172, 25mm extension set for deep installation.

08935, ring for shallow installation of 34300.

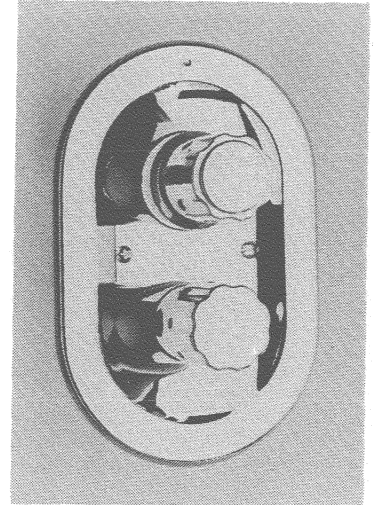
08936, ring for shallow installation of 34310.

See Section D for details of showers and associated fittings.

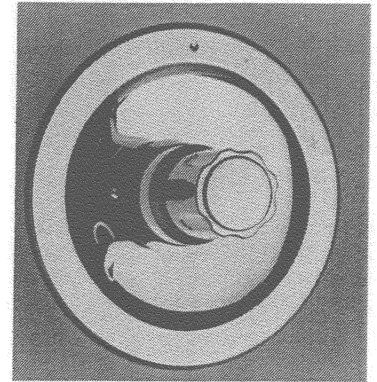
Maintenance

Valve can be easily removed for cleaning, replacement or repair: the built-in strainers are easily accessible without major dismantling. All wearing parts are serviceable.

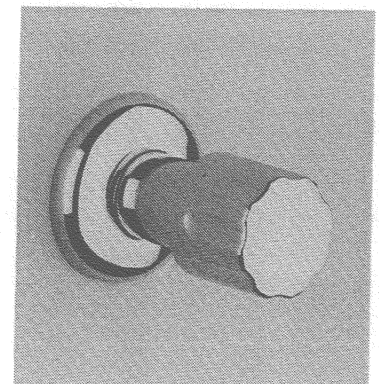
The use of 'Grohclean' chrome cleaner (18099) and 'Grohe' special valve grease (18012) is recommended.



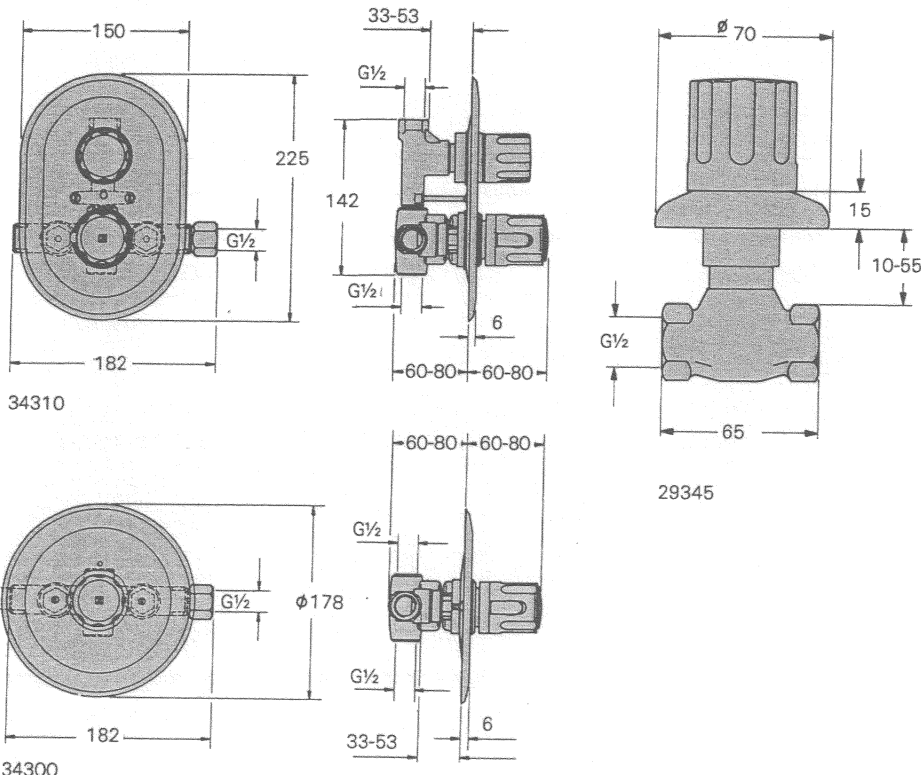
With integral stopcock:
34310, chromium plated;
34310Z, Sundance;
34310D, red;
34310L, white;
34310Y, yellow



34300, chromium plated;
34300Z, Sundance;
34300D, red;
34300L, white;
34300Y, yellow



Concealed stopcock, 1/2in, for use with 34300:
29345, chromium plated;
29345Z, Sundance;
29345D, red;
29345L, white;
29345Y, yellow



Connection data

Inlet connections Female, G½.

Outlet connection Female, G½.

Designed to be wall-mounted with concealed supply and outlet. Install hot on left, cold on right.

A stop valve must be used downstream of model 34300.

Operation

A manually-adjusted control regulates the temperature of the mixed water up to 38°C. A button on the scale handle must be pressed if a higher temperature is required. Water flow is controlled by a conventional valve which may either be separate (34300) or integral (34310).

Performance

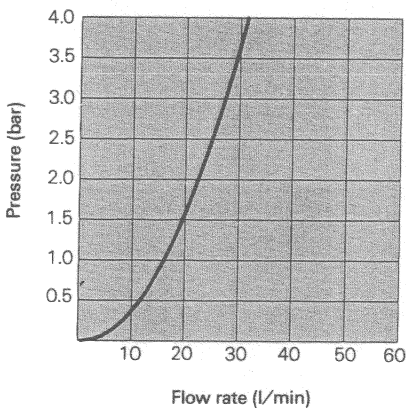
Complies with BS 1415 Series 80, minimum flow, 0.08 litre/sec at 0.1 bar.

Recommended pressure range 0.3-5 bar.

Maximum pressure 10 bar.

Test pressure 16 bar.

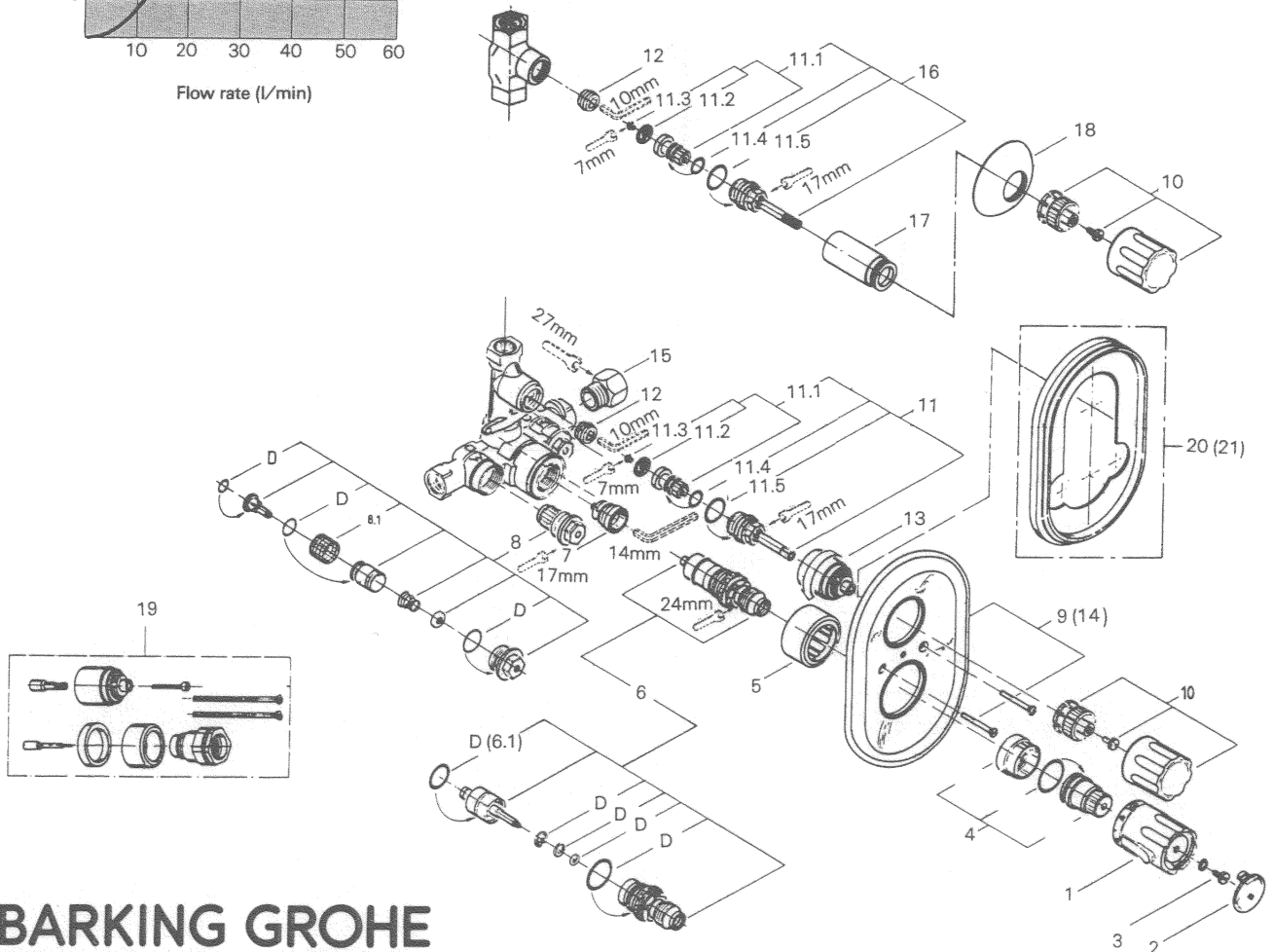
Maximum inlet temperature 80°C.



Replacement parts

Ref	Description	Part no	Pack size
1	Temperature control knob	06904 (Z/D/L/Y)*	1
2	Cover cap	05993 (Z/D/L/Y)*	1
3	Screw	03012	5
4	Temperature limit ring with adjusting nut	47167	1
5	Sleeve	05971 (Z/D/L/Y)*	1
6	Thermostatic cartridge (wax)	47168 47450	1
6.1	O ring	05999	10
7	Seat	06176	1
8	Check valve	14116	1
8.1	Filter	02990	2
9	Cover plate with attachment screw (for 34310)	47188 (Z/D/L/Y)*	1
10	Knob for shut-off valve	47187 (Z/D/L/Y)*	1
11	½in concealed headpart	06905	1
11.1	Compression jumper	07503	1
11.2	½in seat washer	05291I	50
11.3	Fixing nut	05292I	50
11.4	Spindle O ring	01283	20
11.5	O ring	03924	10
12	½in replaceable seat	45023	1
13	Sleeve	05970 (Z/D/L/Y)*	1
14	Cover plate with attachment screw (for 34300)	47170 (Z/D/L/Y)*	1
15	Threaded connector	00136	1
16	½in screw-down cartridge	08500	1
17	Sleeve	08498 (Z/D/L/Y)*	1
18	Rosette	08497 (Z/D/L/Y)*	1
Optional items			
19	25mm extension	47172 (Z/D/L/Y)*	1
20	Intermediate ring (for 34300)	08935	1
21	Intermediate ring (for 34310)	08936	1
D	Seal set	47169	1

* Add 'Z' (Sundance), 'D' (red), 'L' (white) or 'Y' (yellow) suffix to part number for Sundance, red, white or yellow finish.



BARKING GROHE

Barking-Grohe Limited

1 River Road, Barking.

Essex IG11 0HD

Telephone: 081-594 7292. Telex: 897560.

Fax: 081-594 8898.

