

# Grohmix

# C3.9

## Wall-mounted concealed thermostatic shower mixer, 3/4in

Wall-mounted thermostatic shower mixer designed for concealed installation. Stopcocks are required for each outlet.

- Thermostatic control
- Standard temperature range 20-60°C
- Safety over-ride at 38°C
- Built-in non-return valves
- Choice of finishes
- Built-in supply shut-offs

Grohmix fittings for basins, bidets and baths including special purpose and hospital fittings and a range of showers and accessories is also available.

### Specification clauses

The thermostatic mixers shall be Barking-Grohe 'Grohmix' fittings, reference 34411/34411Z/34411G.

Hot and cold supply services shall terminate as 22mm od copper tube (or other approved material), hot on left, cold on right, and the fittings shall be connected to the supply using capillary/compression tap connectors to BS 864:Part 2:1983 (or other approved connectors appropriate to the pipework).

The fittings shall be installed in accordance with the manufacturer's instructions.

The thermostat shall be regulated in accordance with the manufacturer's instructions.

### Manufacture, appearance

**Body** Cast brass.

**Finish** Polished chromium plate, Sundance polyester powder coat, or 23ct heavy-duty gold plate.

**Handles** Acrylic.

**Valve** Wax cartridge thermostat.

**Temperature indicator scale** Graduated in increments of 5°C; white on black with red over-ride button.

### Accessories

#### Optional

See sheet C3.12:

47026, high wall escutcheon for shallow installation.

06087, 40mm extension set for deep installation.

47032, reverse thermostatic cartridge (bi-metal).

07623, disinfectant-resistant temperature scale handle.

02699, 43°C temperature limit ring

14148, lever-action temperature scale handle.

06853, loose key and shield.

See sheets A1.9, A2.11, A7.31 and A7.32 for details of stopcocks.

See Section D for details of showers and associated fittings.

### Maintenance

Valves can be easily removed for cleaning, replacement or repair: the built-in strainers are easily accessible without major dismantling. All wearing parts are serviceable.

The use of 'Grohclean' chrome cleaner (18099) and 'Grohe' special valve grease (18012) is recommended.

### Connection data

**Inlet connections** Female, G3/4.

**Outlet connection** Female, G3/4.

Concealed wall-mounted; install hot on left, cold on right.

Stop valves must be used downstream of mixer to control volume.

Reverse thermostatic cartridge is available for back-to-back or reverse installations.

### Operation

A manually-adjusted control regulates the temperature of the mixed water up to 38°C. A button on the scale handle must be pressed if a higher temperature is required.

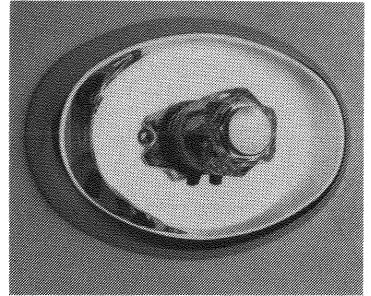
### Performance

**Recommended pressure range** 0.1-5 bar.

**Maximum pressure** 10 bar.

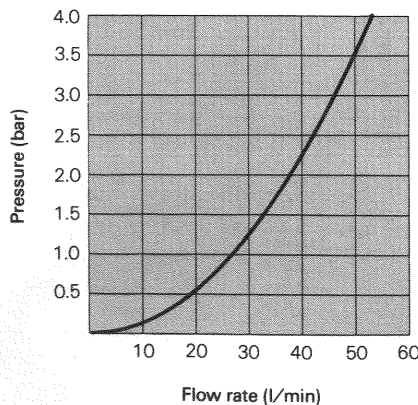
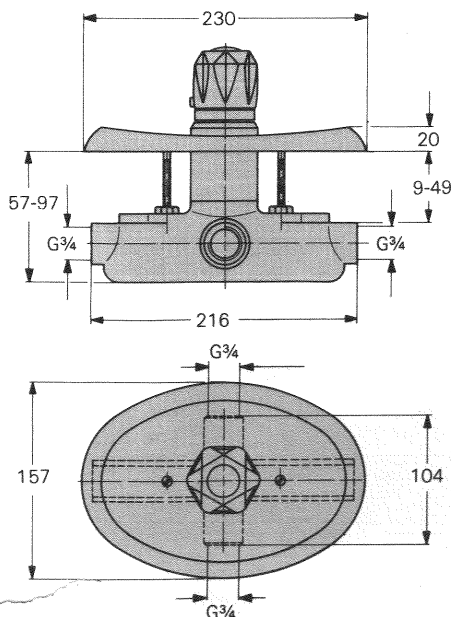
**Test pressure** 16 bar.

**Maximum inlet temperature** 80°C.



34411, chromium plated  
34411Z, Sundance  
34411G, gold plated

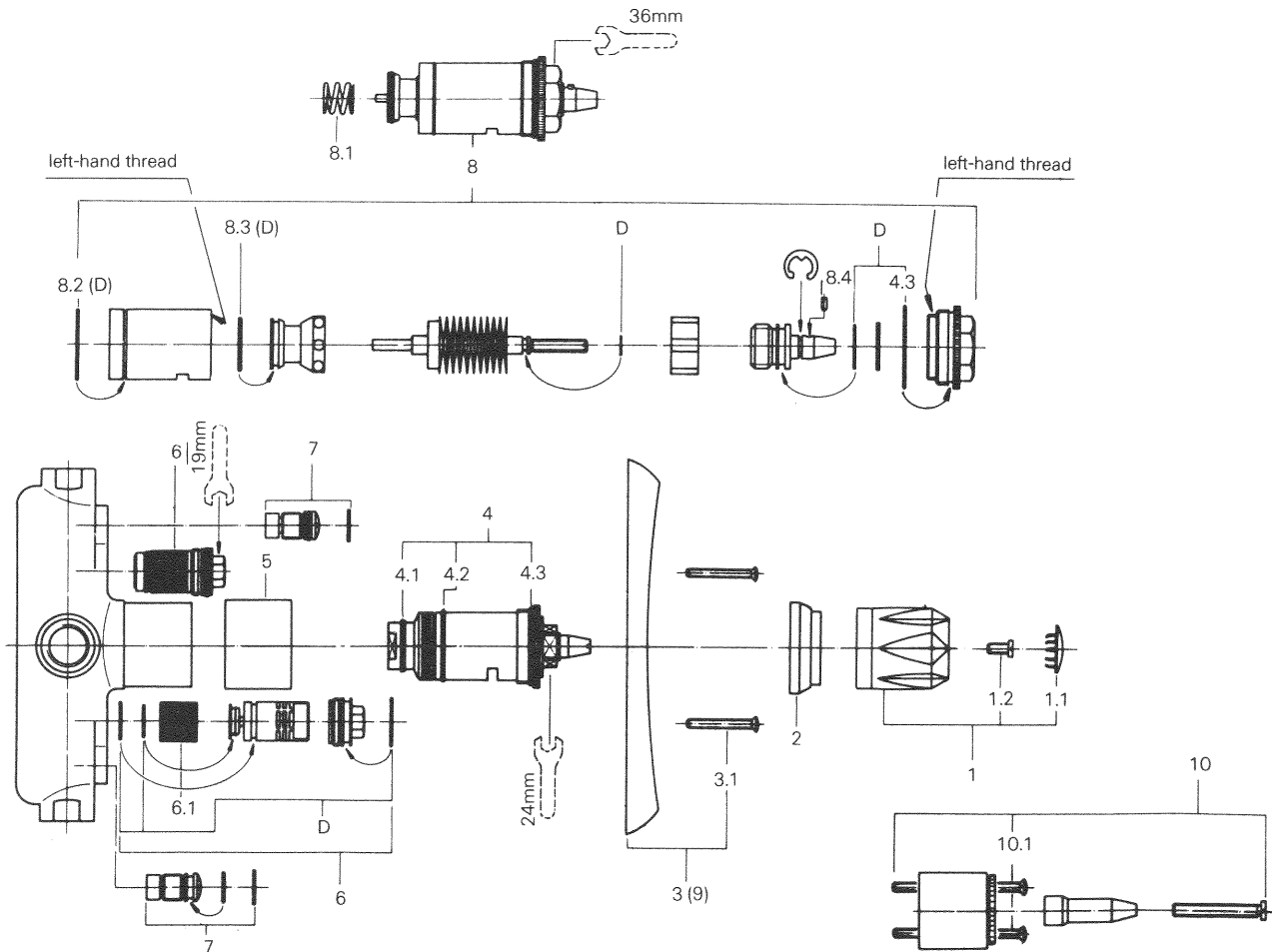
With 43°C temperature limit ring  
34414, chromium plated



## Replacement parts

Ref	Description	Part no	Pack size
1	Temperature control knob	06880 (Z/G)*	1
1.1	Cap	03114	1
1.2	Screw	02426	1
2	Temperature limit ring	03758 (Z/G)*	1
	43°C temperature limit ring	02699	1
3	Wallplate	08366	1
3.1	Screw	02413	2
4	Thermostatic cartridge (wax)	47025	1
4.1	O ring	02661	10
4.2	O ring	00149	10
4.3	O ring	01297	10
5	Sleeve	00040 (Z/G)*	1
6	Non-return valve	14117	1
6.1	Filter	02435	2
7	Supply shut off	47017	1
<b>Optional items</b>			
8	Reverse thermostatic cartridge (bi-metal)	47032	1
8.1	Spring	00529	1
8.2	O ring	03695	10
8.3	O ring	01296	10
8.4	Set screw	00135	5
9	High wall escutcheon for shallow installation	47026	1
10	40mm extension set for deep installation	06087 (Z/G)*	1
10.1	Long screw	02696	2
D	Washer set	47028	1

\* Add 'Z' (Sundance) or 'G' (gold) suffix to part number for Sundance or gold-plated finish.



# BARKING GROHE

**Barking-Grohe Limited**

1 River Road, Barking,

Essex IG11 0HD

Telephone: 081-594 7292. Telex: 897560.

Fax: 081-594 8898.

