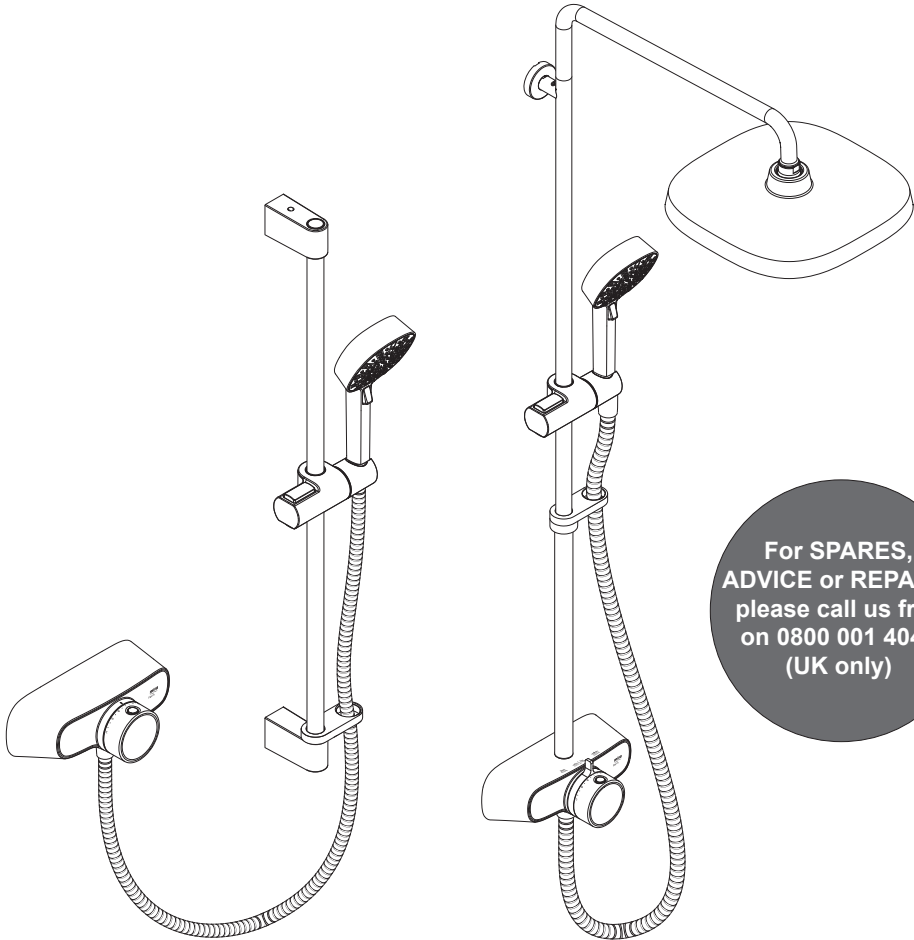


Mira Form Single & Dual Outlet Thermostatic Mixing Valve Installation and User Guide



For SPARES,
ADVICE or REPAIRS
please call us free
on 0800 001 4040
(UK only)

These instructions must be left with the user

Model Name:
Product Code:
Date of Manufacture:

Affix Sticker Here

(Please keep these details safe as you will need them when registering your product guarantee. Your guarantee information is included in this guide.)

mira
SHOWERS

Introduction

Thank you for choosing a Mira shower. To enjoy the full potential of your new shower, please take time to read this guide thoroughly, and keep it handy for future reference. Products manufactured by Kohler Mira Ltd are designed to be safe, provided that they are installed, used and maintained in good working order, in accordance with our instructions and recommendations.

Follow all warnings, cautions and instructions contained in this guide, and on, or inside the shower. This guide is also available in digital format from our website or by contacting customer services.

Type 2 Valves

This product has been certified as a Type 2 valve. It also complies with the Water Supply (water fittings) regulations 1999. For further information on Type 2 Valves, refer to the TMV2 Requirements Manual (available to view or download on our website www.mirashowers.com). The approved designation for this product is listed in the table below.

Mira Mixer Showers covered by this guide:

Product Code	Model Number	Colour	Type 2 Designation
B14A	Mira Form Single	Chrome	HP-S
B14B	Mira Form Dual		

Guarantee

For **domestic installations**, Mira Showers guarantee the product against any defect in materials or workmanship for a period of **five** years from the date of purchase (shower fittings for one year).

For **non-domestic installations**, Mira Showers guarantee the product against any defect in materials or workmanship for a period of **one** year from the date of purchase.

Failure to follow the instructions provided with the shower will invalidate the guarantee.

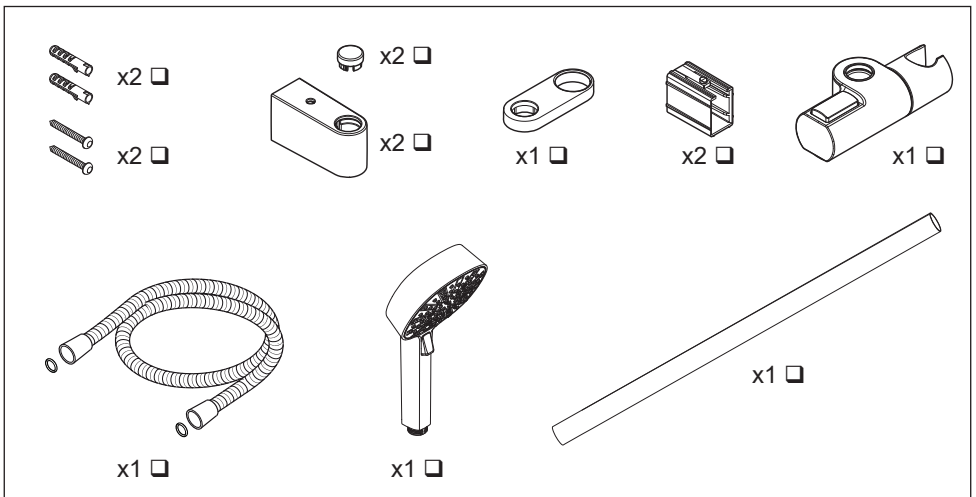
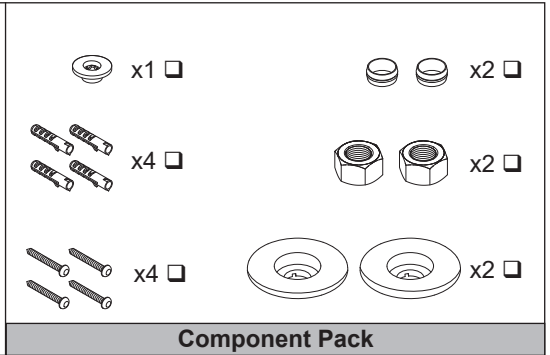
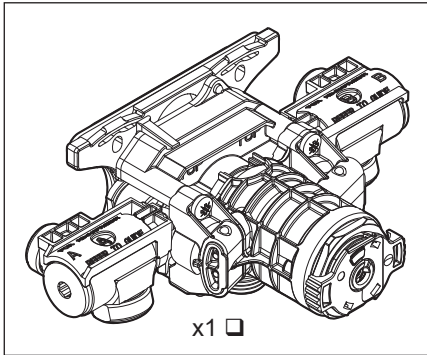
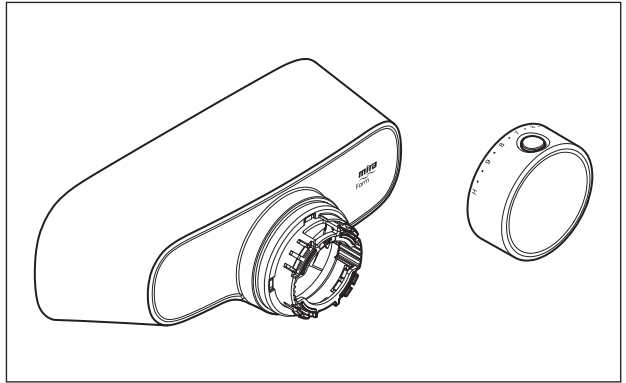
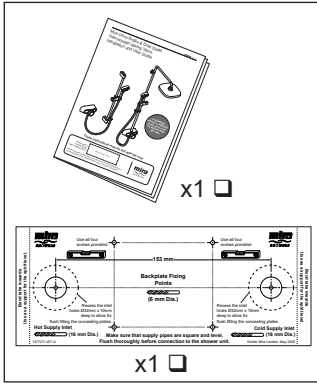
For Terms and Conditions refer to the '**Activating Your Free Guarantee and Customer Service**' pages.

Recommended Usage

Domestic	✓	Heavy Commercial	✗
Light Commercial	✓	Healthcare	✗

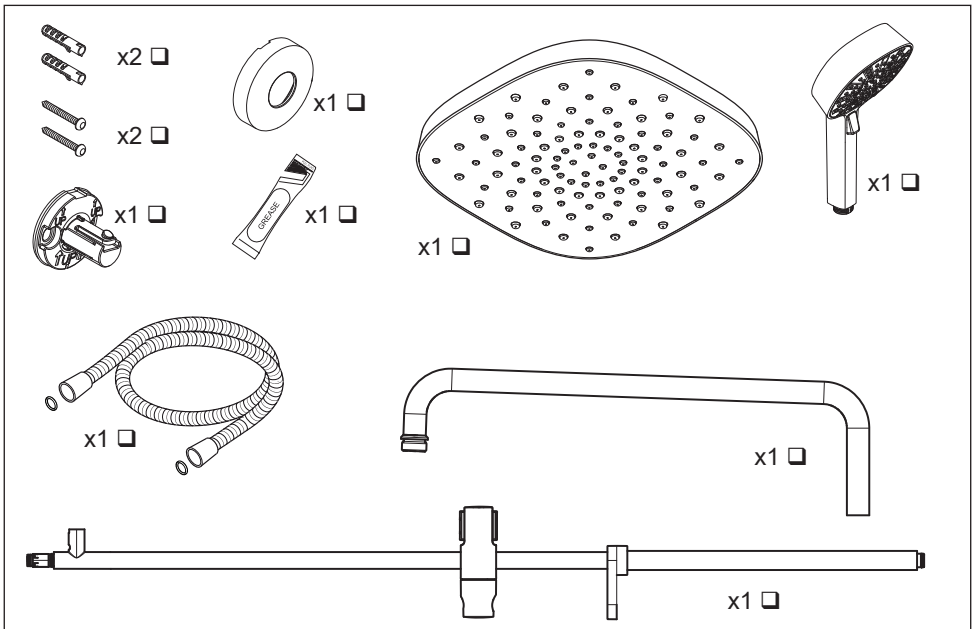
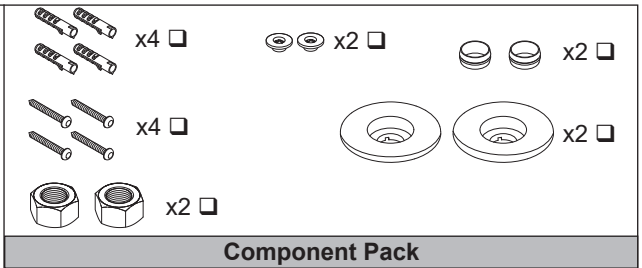
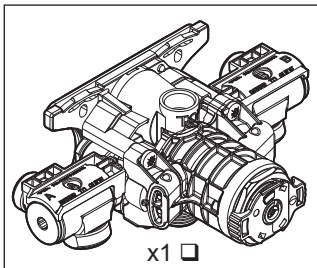
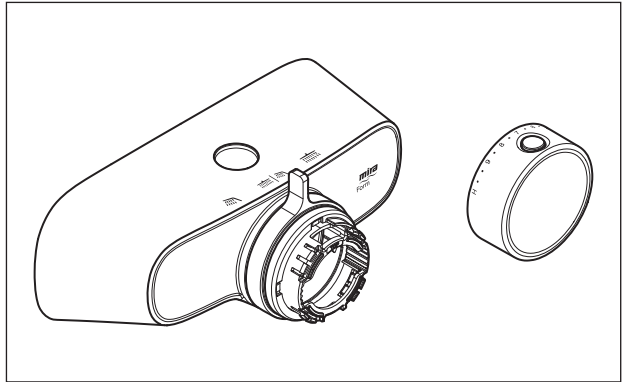
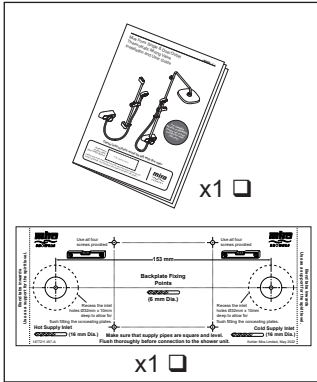
Pack Contents

Form Single Outlet



Pack Contents

Form Dual Outlet



Safety Information

WARNING! This shower can deliver scalding temperatures. For continued safe operation, follow all instructions, warnings and cautions contained in this guide and on or inside the shower. Periodic maintenance may be required to keep the product in good working order.

The function of a thermostatic mixing valve is to deliver water consistently at a safe temperature. In keeping with every other mechanism, it cannot be considered as functionally infallible and as such, cannot totally replace a supervisor's vigilance where that is necessary. Provided it is installed, commissioned, operated and maintained within manufacturers recommendations, the risk of failure, if not eliminated, is reduced to the minimum achievable.

PLEASE OBSERVE THE FOLLOWING TO REDUCE THE RISK OF INJURY:

Installing the Shower

1. Installation of the shower must be carried out in accordance with the instructions by qualified, competent personnel. Read all instructions before installing the shower.
2. **DO NOT** install the shower where it may be exposed to freezing conditions. Ensure that any pipework that could become frozen is properly insulated.
3. **DO NOT** perform any unspecified modifications to the shower or its accessories. When servicing only use genuine Kohler Mira replacement parts.
4. If the shower is dismantled during installation or servicing then, upon completion, an inspection must be made to ensure all connections are tight and that there are no leaks.
5. The product may be TMV3 or TMV2 approved. Refer to the installation guide for information regarding product type and installation suitability.

Using the Shower

6. The shower must be operated and maintained in accordance with the requirements of the installation and user guides. Make sure you read all this information fully and understand how to operate the shower before use. Retain all guides for future reference.
7. **DO NOT** switch the shower on if there is a possibility that the water in the shower unit or fittings is frozen.
8. The water supplies to this product must be isolated if the product is not to be used for a period of time. E.g. When away on holiday. If the product or pipework is at risk of freezing during this period, they should also be drained of water.
9. This product is not intended for use by persons (including children) with reduced physical, sensory or mental capabilities, or lack of experience and knowledge, unless they have been given supervision or instruction concerning the use of the appliance by a person responsible for their safety.
10. Anyone who may have difficulty understanding or operating the controls of any shower should be attended whilst showering. Particular consideration should be given to the young, the elderly, the infirm or anyone inexperienced in the correct operation of the controls.
11. **DO NOT** allow children to play with the shower, clean or perform any user maintenance to the shower or its fittings e.g. Handset and hose.
12. Always check the water temperature is safe before entering the shower.
13. **DO NOT** adjust the temperature control rapidly while using the shower.
14. **DO NOT** switch the shower off and back on while standing in the water flow. Use caution when altering the water temperature while in use and always check the temperature before continuing to shower.
15. **DO NOT** restrict the water flow from the shower outlet, temporarily bending the shower hose or blocking the shower head while in use could cause a hot shot of water to be discharged.

16. When adjusting the handset mode, point handset away from body and make sure the water temperature has stabilised before continuing to shower.
17. The showerheads must be descaled regularly and hose checked for blockage or damage. Blocked showerheads or hose will affect showering performance.
18. **DO NOT** connect the outlet of the shower to any tap, control valve, trigger operated handset or showerhead other than those specified for use with this shower. Only Kohler Mira recommended accessories should be used.
19. For products with multiple shower outlets, the diverters or on/off controls must be regularly operated to ensure the correct operation of the outlet.
20. This appliance is intended to be permanently connected to the water supplies and not connected by flexible hoses.

If you are unsure about any of these Warnings & Cautions and require further explanation contact Mira Customer Services.

Specifications

Pressures	
Maximum Static Pressure	1000 kPa (10 bar)
Maximum Maintained Pressure	500 kPa (5 bar)
Minimum Maintained Pressure (Gas Water Heater)	100 kPa (1 bar) (for optimum performance supplies should be nominally equal)
Minimum Maintained Pressure (Gravity System)	10 kPa (0.1 bar) (0.1 bar = 1 Metre head from cold tank base to shower handset outlet)
Temperatures	
Close temperature control	20°C - 50°C
Optimum Thermostatic Control Range	35°C to 45°C (achieved with supplies of 15°C cold, 65°C hot and nominally equal pressures)
Recommended Hot Supply	60°C to 65°C
Minimum Hot Water Supply Temperature	55°C (Note: The mixing valve can operate at temperatures up to 85°C for short periods without damage. However for safety reasons it is recommended that the maximum hot water temperature is limited to 65°C).
Minimum Recommended Differential between Hot Supply and Outlet Temperature	12°C at desired flow rates
Cold Water Range	1 - 25°C
Plumbing Connections	
Hot: Left	15 mm copper pipework
Cold: Right	15 mm copper pipework
Outlet:	Single Outlet = 1/2" BSP Male to flexible house Dual Outlet = 1/2" BSP Male to flexible hose and push fit to Riser bar.

- **Important!** This product is not suitable to use with any other pipe sizes.

Thermostatic Shut-down

- For safety and comfort the thermostat will shut off the mixing valve **within 2 Seconds** if either supply fails (achieved only if the blend temperature has a minimum differential of 12°C from either supply temperature).

Suitable Plumbing Installations

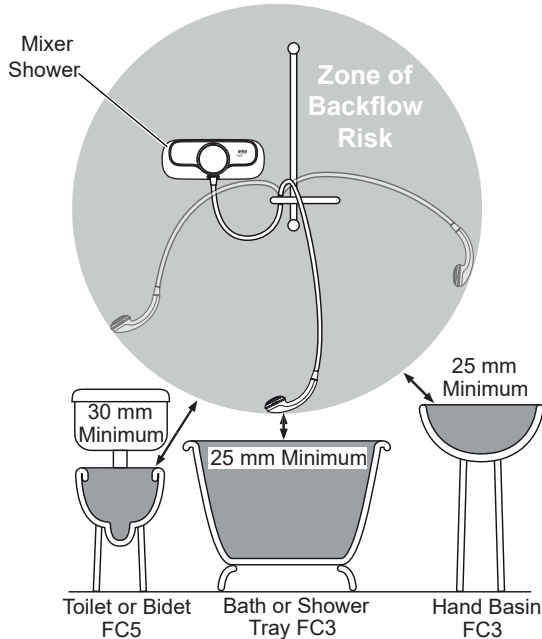
The Thermostatic Mixer can be installed with all systems with balanced pressures. Mixed gravity and mains supplies are not recommended.

Installation

General

1. Installation of the shower must be carried out in accordance with these instructions by qualified, competent personnel.
2. The plumbing installation must comply with all national or local water regulations and all relevant building regulations, or any particular regulation or practice specified by the local water supply company.
3. Make sure all pressures and temperatures comply with the requirements of the shower. See '**Specifications**'.
4. Full bore/non restrictive servicing valves must be fitted in a readily accessible position adjacent to the shower to facilitate maintenance of the shower.
DO NOT use a valve with a loose washer plate (jumper) as this can lead to a build up of static pressure.
5. **DO NOT** apply excessive force to plumbing connections; always provide mechanical support when making plumbing connections. Any soldered joints should be made before connecting the shower.
6. Pipework dead-legs should be kept to a minimum.
7. **DO NOT** install the shower unit in a position where access for maintenance is restricted.
8. The shower must be fitted to a waterproof, flat and even wall surface. The four screws and wall plugs supplied are suitable for most solid wall installations. Alternative fixing screws for panel structures are not supplied. Use all four fixing points to secure the shower, be sure to use fixings appropriate for the chosen wall structure.
9. Pipework enters the product from the rear through a hole in the wall, provision must be made to prevent water ingress back into the wall structure.
10. Position the shower unit where the controls are at a convenient height for the user. Position the showerhead so that the water sprays in line with the bath or across the opening of a shower cubicle. The installation must not cause the shower hose to be kinked during normal use.
11. The water supplies to this product should be isolated if the product is not to be used for a long period of time. If the product or pipework is at risk of freezing during this period they should also be drained of water.

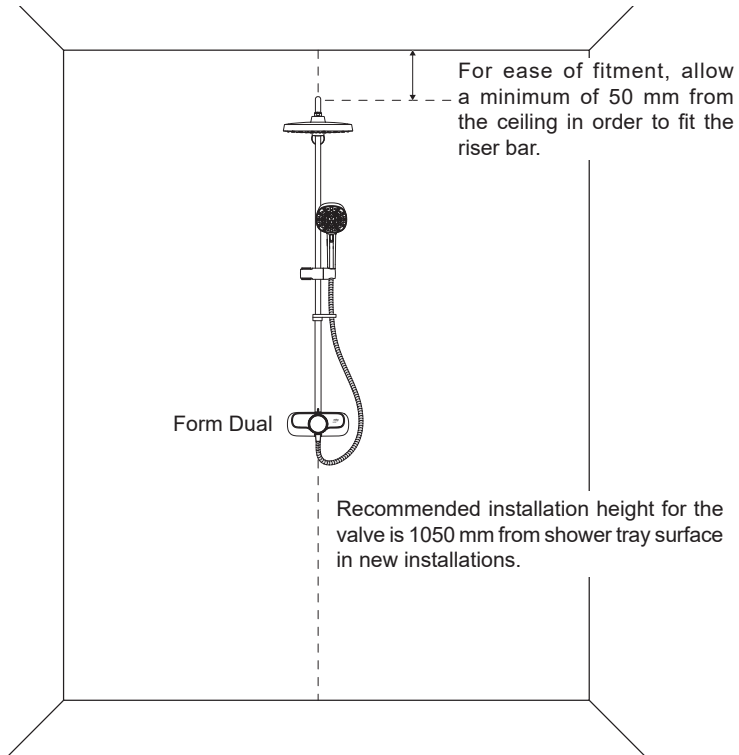
12. The position of the shower and shower fittings must provide a minimum air gap of 25 mm between the showerhead and the spill over level of any bath, shower tray or basin. There must be a minimum distance of 30 mm between the showerhead and the spill over level of any toilet, bidet or other appliance with a Fluid Category 5 backflow risk.



Note: There will be occasions when the hose retaining ring will not provide a suitable solution for Fluid Category 3 installations. In these instances an outlet double checkvalve must be fitted, this will increase the required supply pressure typically by 10kPa (0.1 bar). Double checkvalves fitted in the inlet supply to the appliance cause a pressure build up, which affects the maximum static inlet pressure for the appliance and must not be fitted. For Fluid Category 5, double checkvalves are not suitable.

Shower Positioning

The shower fittings should be positioned at a convenient height for all the family. Position the fittings to spray across rather than towards the opening of the cubicle and also away from the shower control. Avoid layouts where the shower hose will be sharply kinked. This may reduce the life of the hose.



Critical! The installation area must be carefully prepared and all tiles cut or drilled accurately for a successful installation.

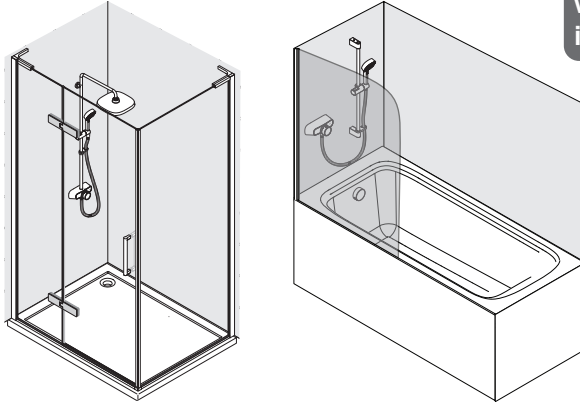
Installation

Note: If replacing the existing product with Mira Form, continue step (2) from page 13.

1 New Installation

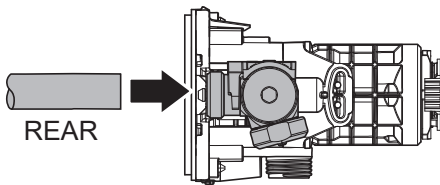
Warning! Isolate the water supplies before installing the shower.

a



Decide on a suitable position for the shower unit and fittings.
See **'Installation - General'** for further details.

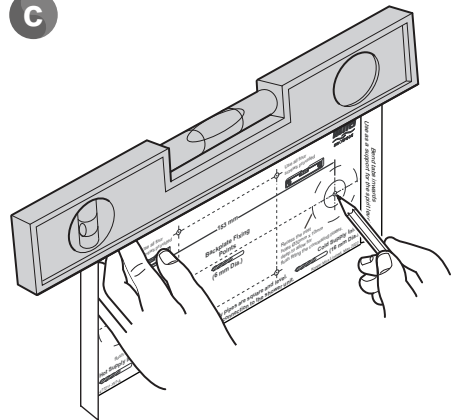
b



Determine the route for the supply pipes.

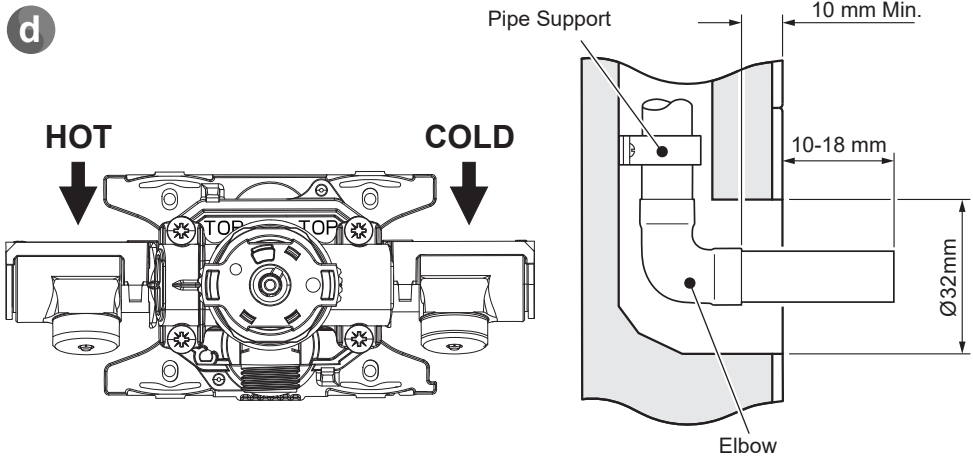
Note: This product is suitable for rear supplies only.

c



Use the template provided to mark the positions of the pipes and fixing holes.

Note: There are four positions to screw the mixing valve to the wall, all four **MUST** be used.



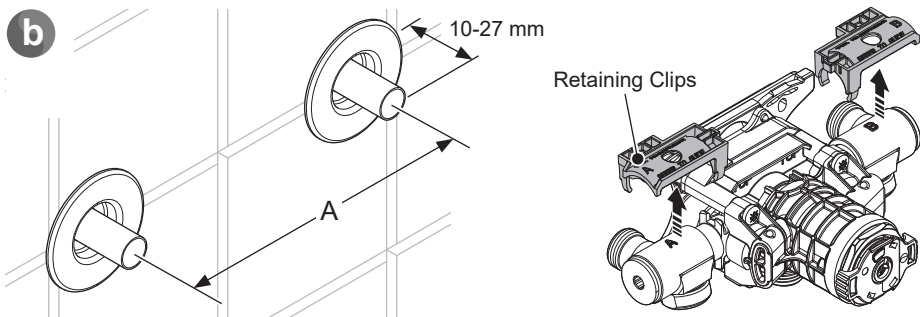
Fit the supply pipework.

Inlet pipes must extend 10-18 mm from the finished wall surface, and be square to the wall. **Continue from step 3 on page 17.**

2 Replacement Installation

The adjustable elbows each have adjustment, allowing your thermostatic mixer to be connected to pipe centres ranging from 110 mm to 155 mm.

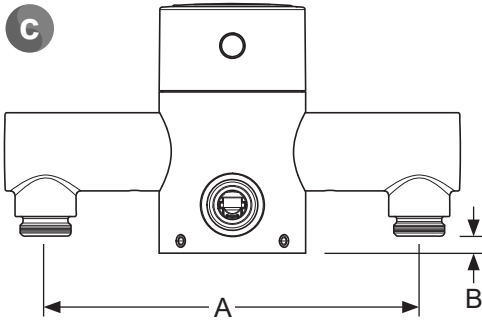
a Carefully remove the existing product and place on a flat surface. Refer the installation guide supplied with the product for any help.



Inlet pipes must extend 10-27 mm from the finished wall surface, and be square to the wall. If pipes are longer than 27 mm cut and deburr pipe to a suitable length.

Measure the distance between the two inlet pipes (**Distance A**).

If the distance between the two inlet pipes centres is not 153 mm, remove the retaining clips as shown and recycle them.

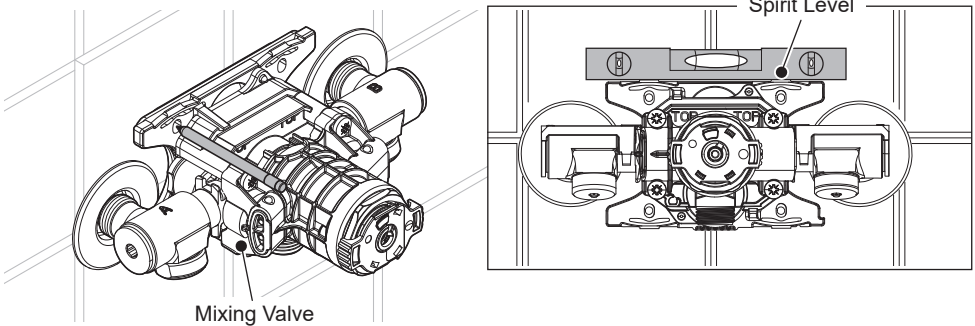


Measure the distance between the inlet face and the flat surface (**Distance B**) for the previously installed product.

Refer to the table below to find the correct configuration for the inlet connections.

Distance between Inlet face and Wall (B)	Pipe Centres (A)	
	135 - 155 mm	110 - 132 mm
< 10 mm	Proceed to Step "d" (Example: Mira Excel, Mira Element)	Proceed to Step "g"
> 10 mm	Proceed to Step "f"	Proceed to Step "e" (Example: Mira Mini)

d For A = 135 mm - 155 mm and B < 10 mm



Note: Identification on the mixing valve shows the orientation that the valve must be fixed to the wall. Ensure the 'TOP' marking faces to top of the product.

Note: Slide the elbows to required pipe centers.

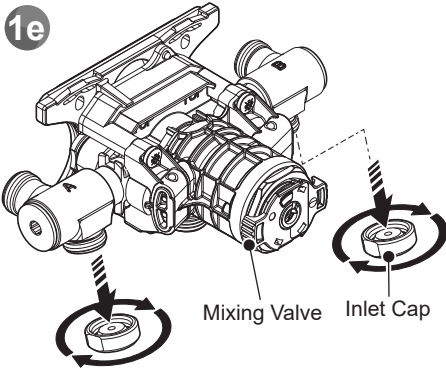
Loosely fit the mixing valve to the inlet pipes.

Set the mixing valve level and mark the positions of the four fixing holes.

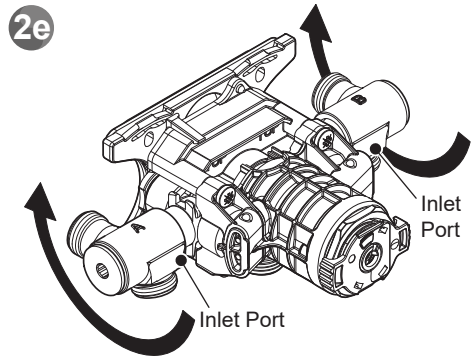
Note: There are four positions to screw the mixing valve to the wall, all four **MUST** be used.

Remove the valve from the pipes and continue step 3 from page 17.

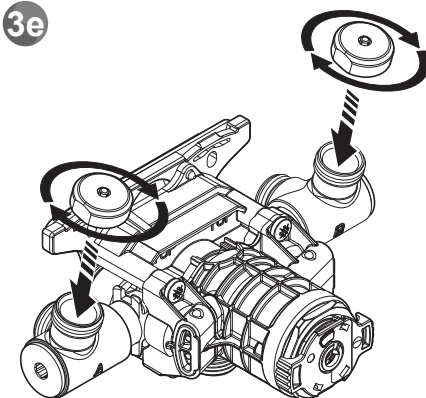
e For A = 110 mm - 132 mm and B > 10 mm



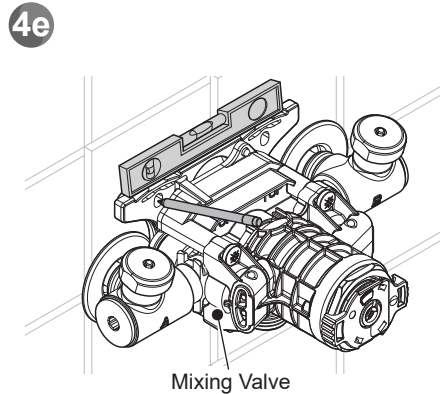
Remove the inlet caps from the optional inlet ports and retain for re-installation.



Rotate the inlet ports towards the inlet pipes.



Refit the inlet caps to the long open ends shown above.



Note: Slide the elbows to required pipe centers.

Loosely fit the mixing valve to the inlet pipes.

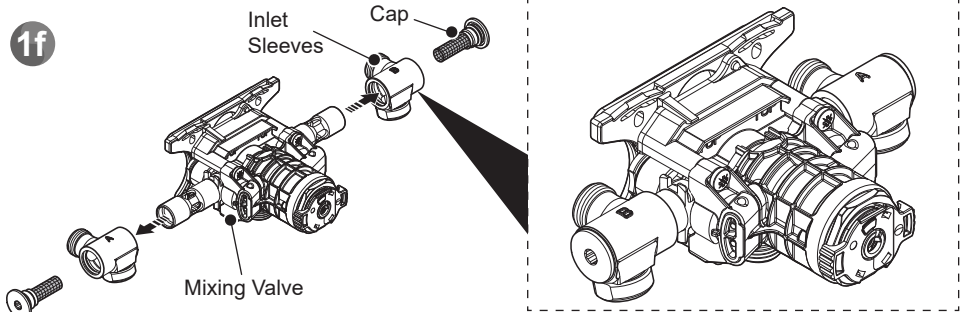
Set the mixing valve level and mark the positions of the four fixing holes.

Remove the valve from the pipes and continue step 3 from page 17.

f

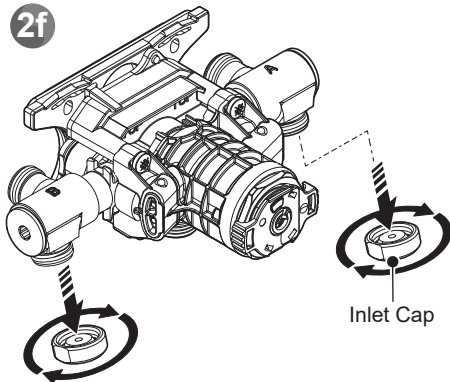
For A = 135 mm - 155 mm and B > 10 mm

1f



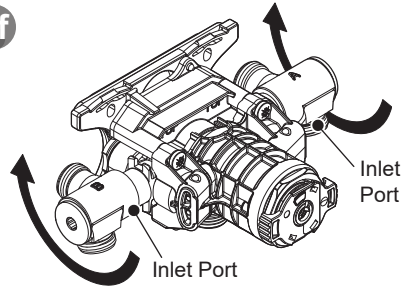
Remove the inlet sleeves using 6 mm hex key. Note the "A" and "B" markings on the inlet sleeves. Swap the sleeves and fit onto the mixing valve oriented as shown.

2f



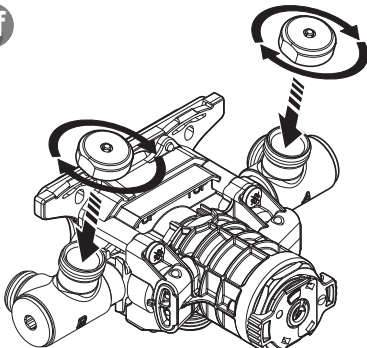
Remove the inlet caps from the optional inlet ports and retain for re-installation.

3f



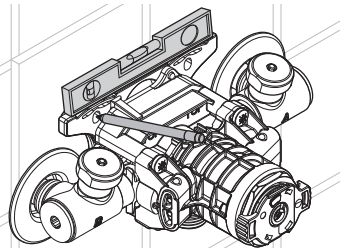
Rotate the inlet ports towards the inlet pipes.

4f



Refit the inlet caps to the long open ends shown above.

5f



Note: Slide the elbows to required pipe centers.

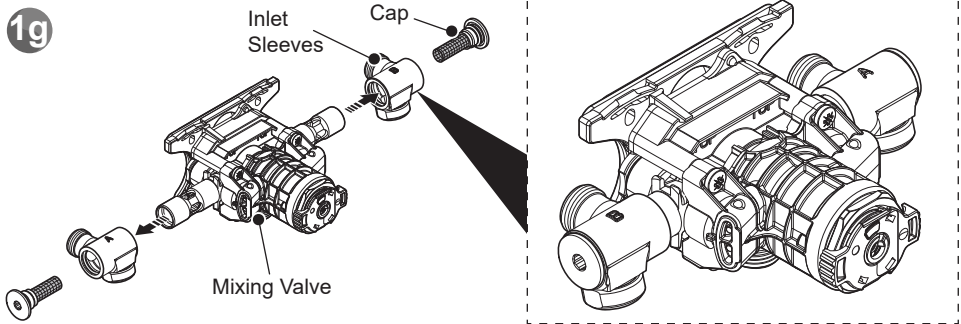
Loosely fit the mixing valve to the inlet pipes.

Set the mixing valve level and mark the positions of the four fixing holes.

Remove the valve from the pipes and continue step 3 from page 17.

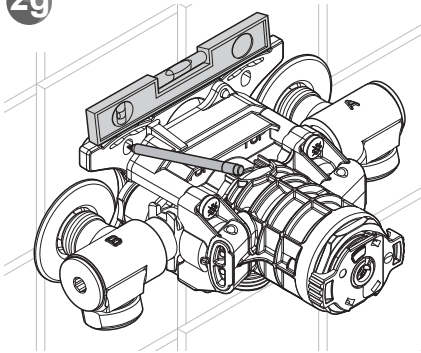
g For A = 110 mm - 132 mm and B < 10 mm

1g



Remove the inlet sleeves using 6 mm hex key. Note the "A" and "B" markings on the inlet sleeves. Swap the sleeves and fit onto the mixing valve oriented as shown.

2g



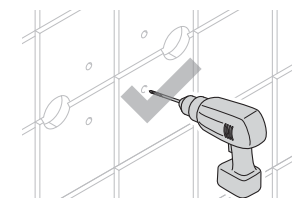
Note: Slide the elbows to required pipe centers.

Loosely fit the mixing valve to the inlet pipes.

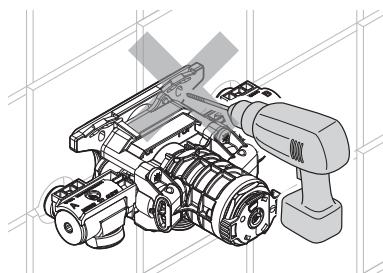
Set the mixing valve level and mark the positions of the four fixing holes.

Remove the valve from the pipes.

3



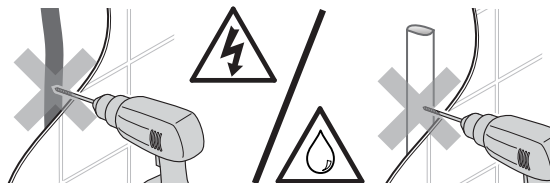
Ø6mm drill required for wall plugs supplied



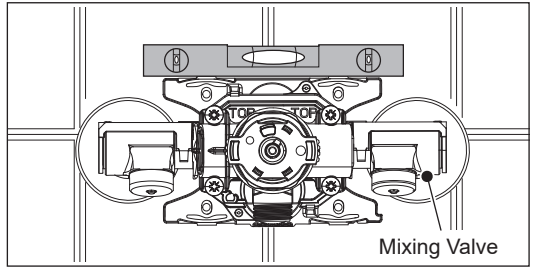
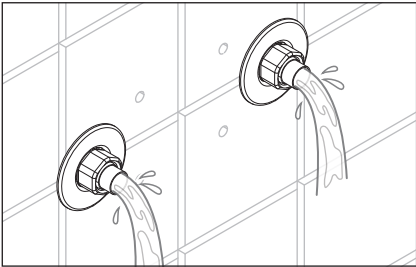
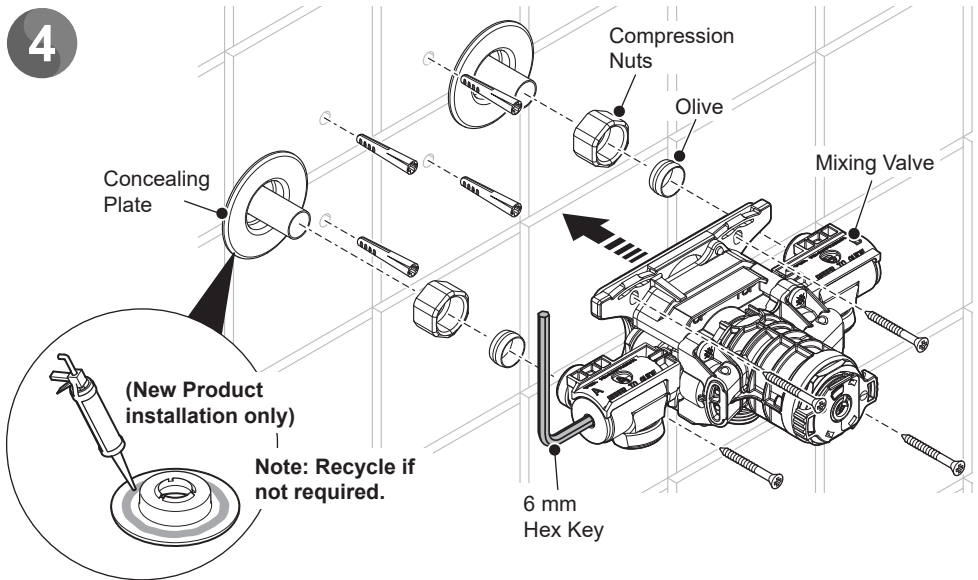
Drill the four fixing holes for the backplate.

DO NOT drill through the backplate into the wall.

DO NOT drill into buried cables or pipes.



4



Flush the water supplies thoroughly before connecting the mixing valve.

Note: Identification on the mixing valve shows the orientation that the valve must be fixed to the wall. Ensure the 'TOP' marking faces to top of the product.

Place the concealing plates, compression nuts and olives (**new installation only**) over the pipes.

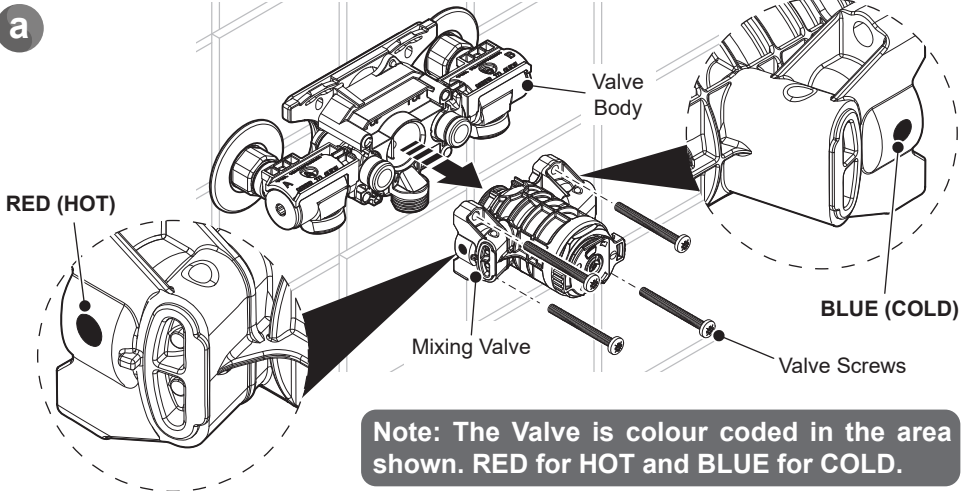
Place the mixing valve over the inlet pipes. Finger tighten both the compression nuts and then fix the mixing valve to the wall using the wall screws (x4) and wall plugs provided. Retighten the compression nuts using a suitable spanner while supporting the elbow with a 6 mm hex key as shown.

Note: There are four positions to screw the mixing valve to the wall, all four MUST be used.

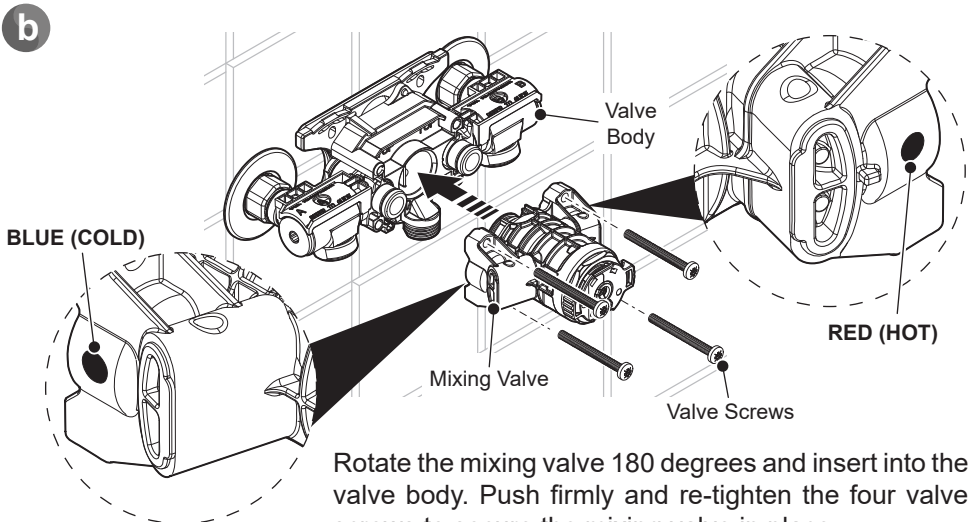
5 Reversed Inlet Supplies

If the **HOT** water supply is on the **RIGHT HAND** side, the shower's control cartridge must be reversed. The following steps show how to swap the hot and cold water inlet positions of the cartridge.

Isolate the water supplies and turn the shower on/off to relieve the water pressure.

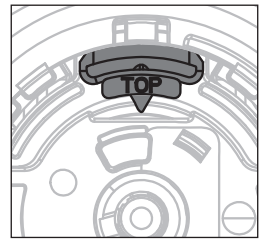
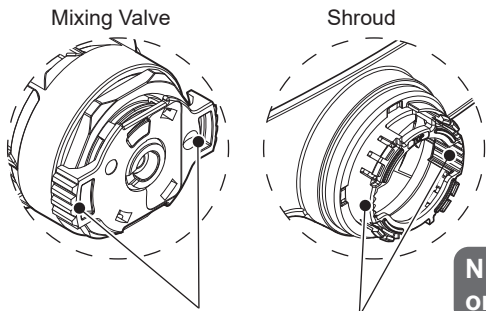
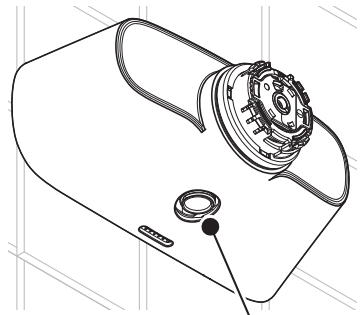
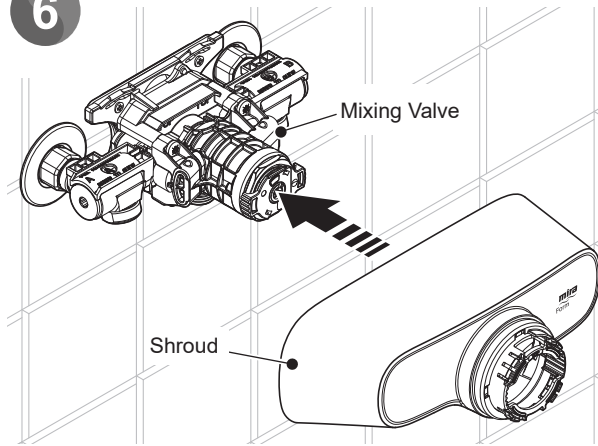


Loosen the four valve screws and remove the mixing valve from the valve body.



Continue directly to **page 25** if installing a dual outlet product.

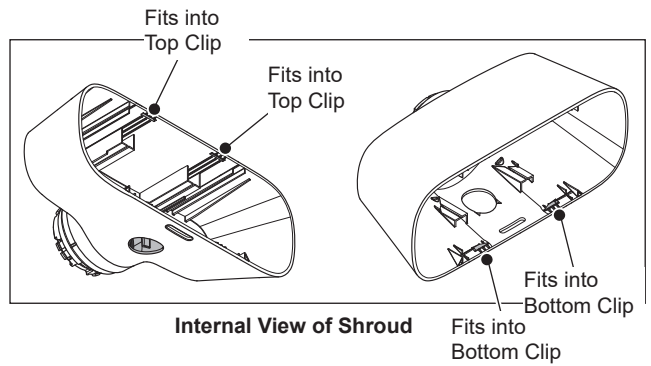
6



Front View of Shroud installed on Valve

Note: Ensure that the spline is oriented in line as shown.

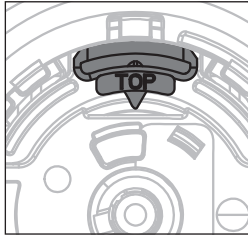
Align the splines in order to fit the shroud.



Slide the shroud over the valve and push until clipped. Ensure outlets are in the correct position and drive features match. The shroud should click and clip into place.

Pull the shroud gently to ensure it is properly clipped into place.

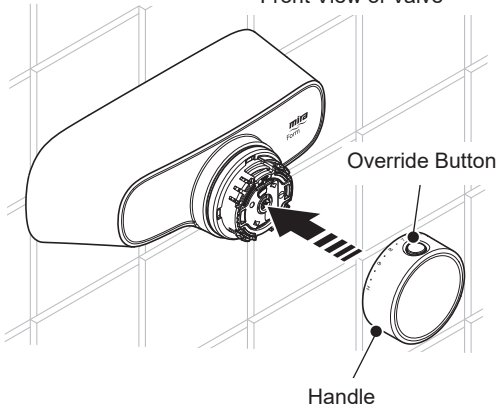
7



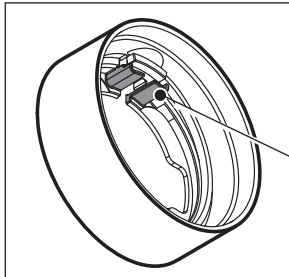
Front View of Valve

Push fit the handle ensuring that the override button is set at 12 O'clock position and the lug on the inside of the handle matches up with the slot available on the valve.

Note: Position of "TOP" area on the valve may not be facing upwards and needs to be manually rotated into the position shown.



Handle



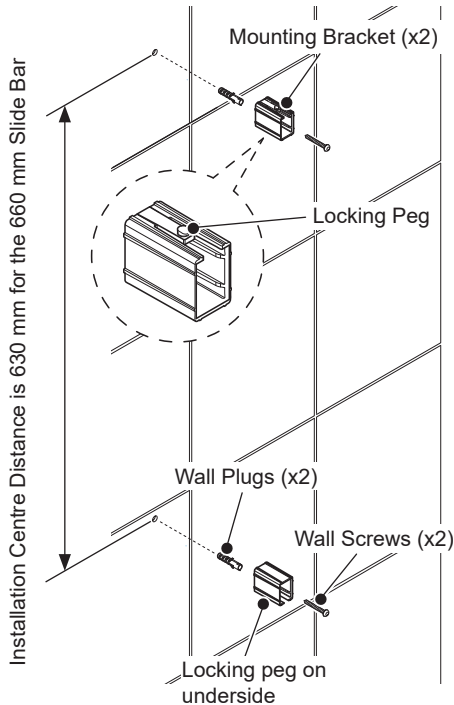
Lug fits into Slot on the Valve (Highlighted for reference)

Internal View of Handle

8

Single Outlet Shower Fitting

a



Mark the wall fixing positions and drill two holes to suit the wall fixings.

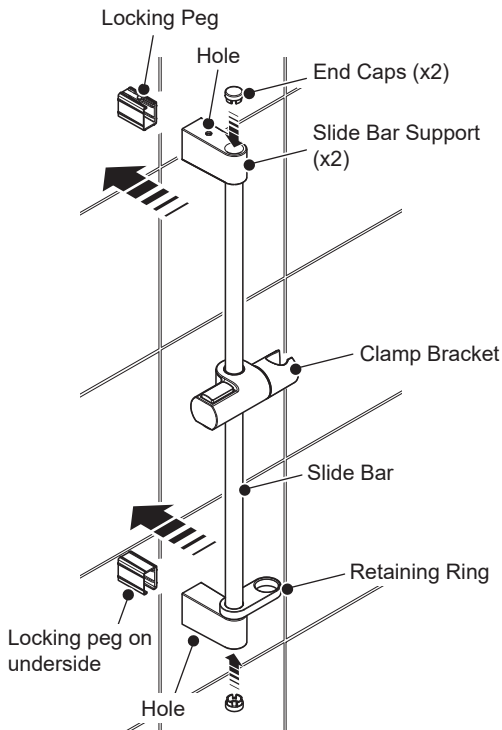
Caution! Do not drill into cables or pipes in the wall.

Note: Installation fixing centres are 630 mm for the 660 mm slide bar. 660 mm recommended for new installations.

Install the wall plugs and the mounting brackets and secure with the wall screws.

Note: Ensure locking peg orientated correctly.

Note: Check for vertical alignment before tightening. The mounting brackets are slotted to aid this alignment. Then fully tighten.

b

Install the clamp bracket, the hose retaining ring (smallest hole) and the slide bar supports to the slide bar.

Note: Orientate the hole on the slide bar supports in line with the locking peg on mounting bracket.

Ensure an equal length of slide bar protrudes from the top and bottom slide bar support (or flush with the end of the slide bar for new installations) and push onto mounting brackets. Ensure it clicks into place.

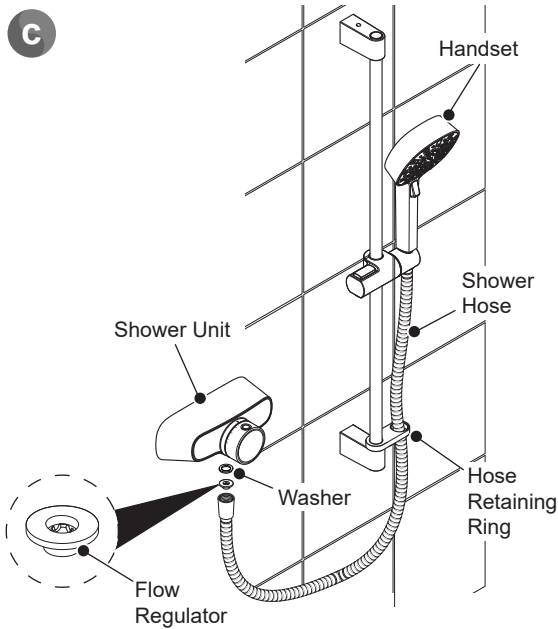
Caution! DO NOT force assembly on to the mounting brackets, re-align slide bar support if required.

Important! Ensure that the locking peg clicks in and is fully engaged in the hole in the slide bar support.

Install the end caps, push fit into both ends of the slide bar.

Note: Slide bar support removal. Using a suitable tool, push and hold down the locking peg through the hole in the slide bar support and pull off.

C



Information for Flow Regulators:

For maintained (running) water pressure greater than 0.5 bar, installing a flow regulator can help to reduce:

- Energy and water consumption
- Excessive shower force
- Noise due to high or unequal water pressure
- Unstable supply temperature
- Cooler outlet temperatures due to the colder seasons

Hose and Hand Shower Installation

Fit a hose seal into the end of the hose and screw onto the outlet of the valve. (Install the flow regulator if required).

Caution! DO NOT over tighten.

Feed the hose through the hose retaining ring.

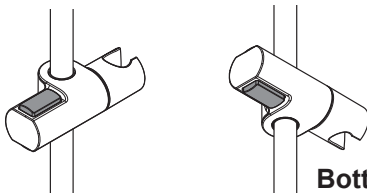
Fit a hose seal into the end of the hose and screw onto the hand shower.

Caution! DO NOT over tighten.

Place the hand shower into the clamp bracket assembly.

Only use the supplied handset with this product.

Clamp Bracket Adjustment



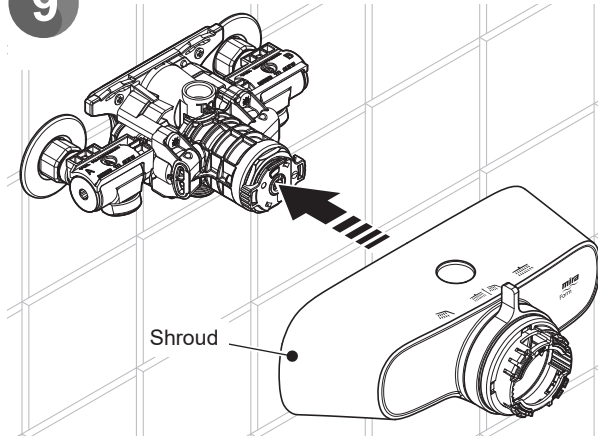
Press the two buttons on the clamp bracket to adjust the position.

Warning! Slide bar must not be used as a grab rail.

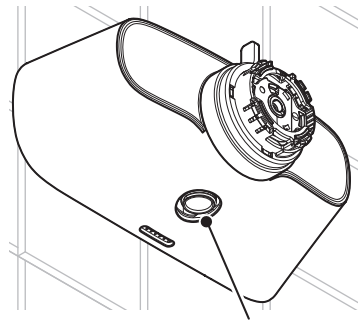
At this stage, continue directly to the **Commissioning Section** on page 30 if installing a single outlet product.

9

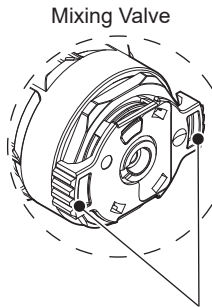
Dual Outlet



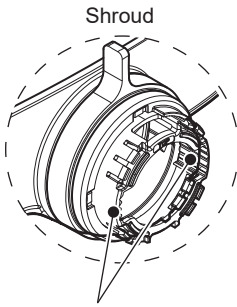
Shroud



Hand Shower Outlet

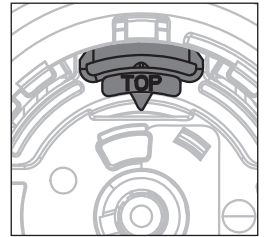


Mixing Valve

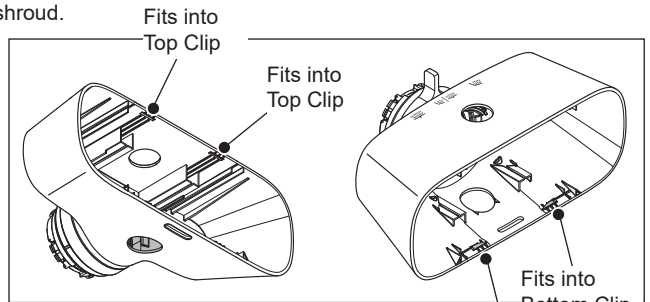


Shroud

Align the splines in order to fit the shroud.



Front View of Shroud installed on Valve



Fits into Top Clip

Fits into Top Clip

Fits into Bottom Clip

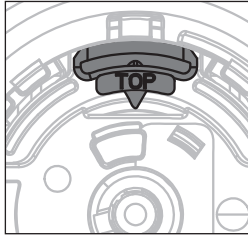
Fits into Bottom Clip

Internal View of Shroud

Note: Ensure that the spline is oriented in line as shown above.

Slide the shroud over the valve and push until clipped. Ensure outlets are in the correct position and drive features match. The shroud should click and clip into place. Pull the shroud gently to ensure it is properly clipped into place.

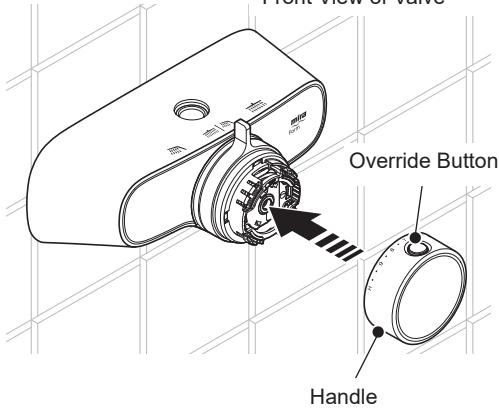
10



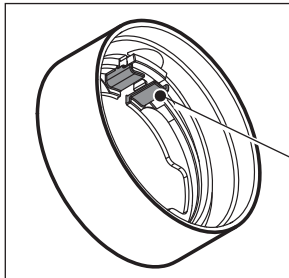
Front View of Valve

Push fit the handle ensuring that the override button is set at 12 O'clock position and the lug on the inside of the handle matches up with the slot available on the valve.

Note: Position of "TOP" area on the valve may not be facing upwards and needs to be manually rotated into the position shown.



Handle

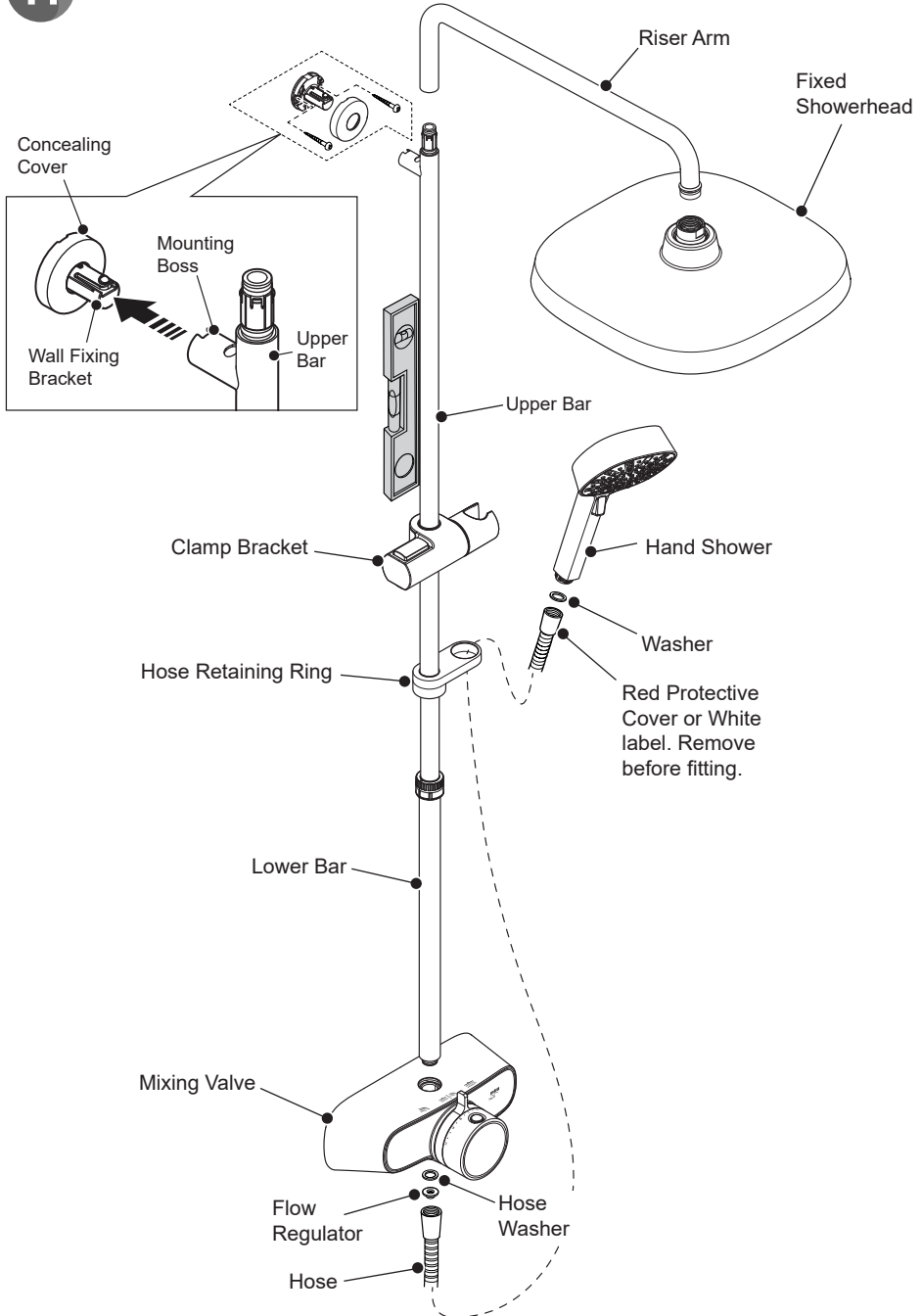


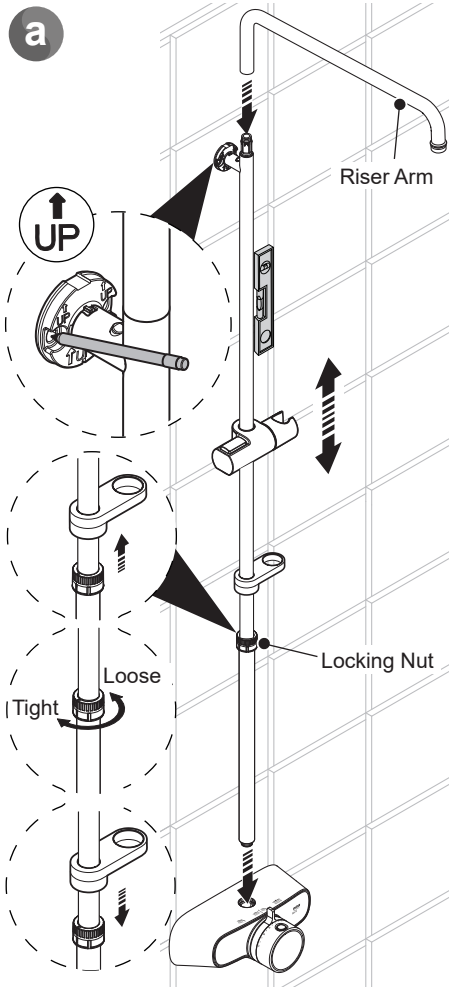
Lug fits into Slot on the Valve (Highlighted for reference)

Internal View of Handle

11

Installation of Dual Outlet Shower Fitting





Insert the wall fixing bracket into the upper bar mounting boss, then swivel the bar if necessary to reposition the wall fixing bracket against the wall.

Note: The UP arrows must be positioned facing upwards.

Push fit the riser arm to the upper bar section.

Apply a small amount of grease (supplied) to the two seals to aid installation.

Push the lower bar fully into the top of the mixing valve.

Note: The lower bar must be located correctly, push down firmly to seat it.

The upper bar is adjustable in length. Adjust the riser arm to a convenient height for all the users and tighten the locking nut.

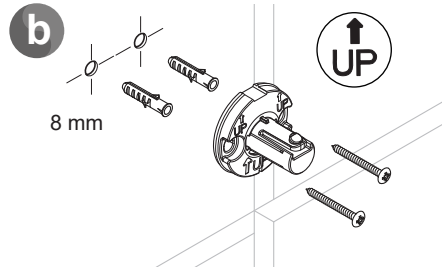
Note: DO NOT extend telescopic riser arm beyond 'MAX' marking.

Slide the retaining ring over the locking nut.

Mark the holes for the wall fixing bracket.

Note: Use a spirit level to ensure the bar is vertical.

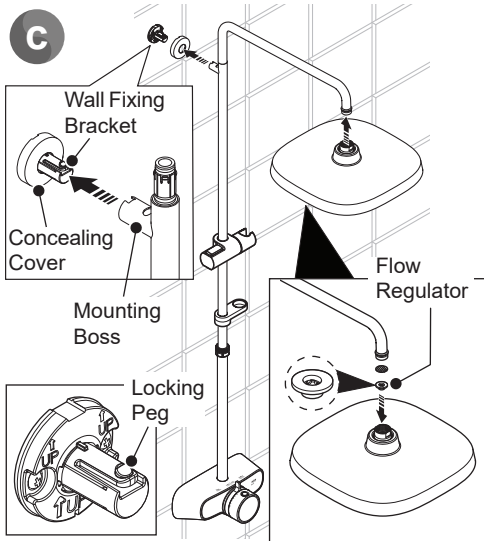
Remove the lower bar from the mixing valve then remove the wall fixing bracket from the mounting boss.



Note: The UP arrows must be positioned facing upwards.

Note: When drilling the tiles ensure this is done in the middle or towards the bottom of the marked slots.

Drill two holes to suit the wall fixings, ensuring that the valve is protected from debris. Fix the bracket to the wall.



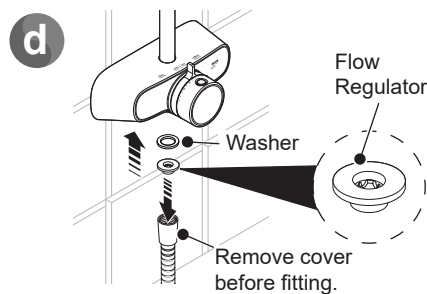
Put the concealing cover onto the wall fixing bracket.

Refit the lower bar into the mixing valve.

Push the upper bar mounting boss onto the wall fixing bracket until it clicks into place.

Important! Ensure that the locking peg clicks in and is fully engaged in the hole in the mounting boss.

Screw the fixed shower head onto the riser arm. (Install the flow regulator if required).

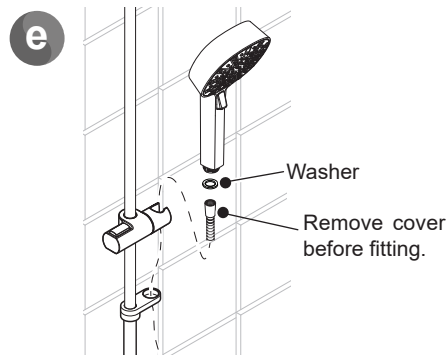


Fit the shower hose onto the bottom outlet of the mixing valve. (Install the flow regulator if required).

Information for Flow Regulators:

For maintained (running) water pressure greater than 0.5 bar, installing a flow regulator can help to reduce:

- Energy and water consumption
- Excessive shower force
- Noise due to high or unequal water pressure
- Unstable supply temperature
- Cooler outlet temperatures due to the colder seasons

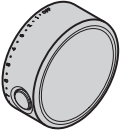


Push the shower hose through the retaining ring and screw it to the hand shower. Make sure that the hose washer is fitted.

Place the hand shower into the clamp bracket, adjusting the angle and height to the users preference.

Warning! Slide bar must not be used as a grab rail.

Commissioning



Before turning water ON, turn valve fully anticlockwise to ensure the valve is OFF.

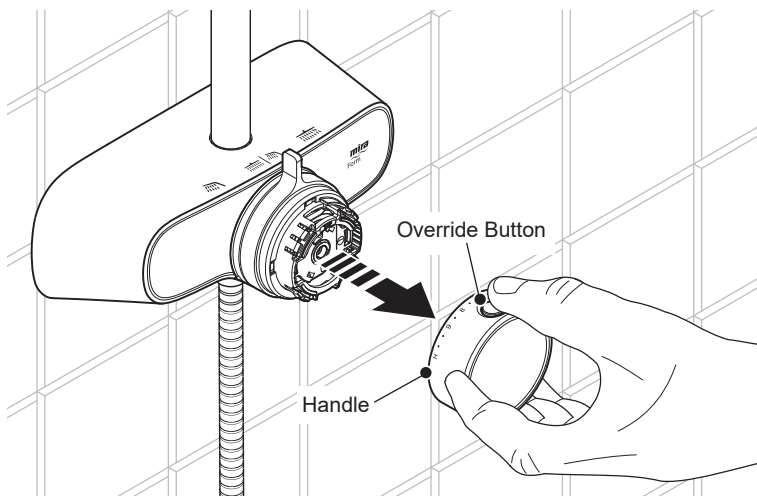
Maximum Temperature Setting

Before using the shower, the maximum temperature must be checked to make sure that it is at a safe level. It has been preset to a safe showering temperature under ideal conditions at the factory, appropriate for most systems. However, site conditions and personal preference may make it necessary to reset this temperature.

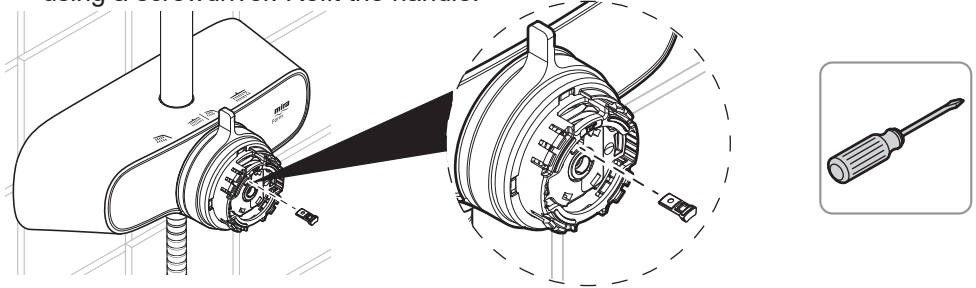
Note: Make sure that the hot water temperature is at least 55°C and that there is sufficient supply.

Caution! Before making any adjustments to the shower, operate the temp control from max hot to cold and make sure hot and cold water flows correctly from the shower outlet. After making any adjustments repeat this process.

1. Turn the temperature handle **clockwise** until it stops and test that the temperature of the water from the shower outlet is hot enough.
2. If not, depress the override button and **carefully** rotate the handle further. If the water temperature is still not hot enough complete the following procedure.
3. Rotate the handle clockwise until the override button faces upwards.
4. Press the override button, and carefully pull the top of the handle away from the shroud.



5. Lever out the yellow maximum temperature peg from the front of the valve by using a screwdriver. Refit the handle.



Note: Maximum temperature achievable is 49°C.

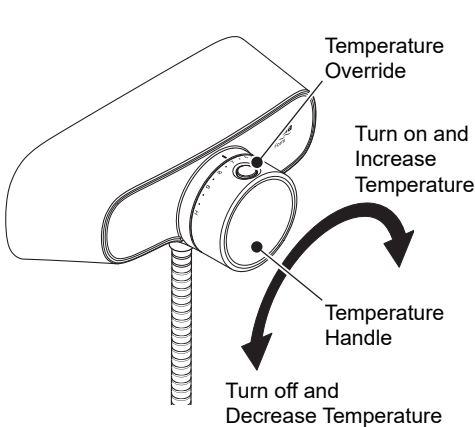
Operation

The dual outlet product has outlet selector to choose the desired outlet. User can individually choose the handshower or overhead by rotating the outlet selector. If outlet selector is set at 12 O'clock position, user can use handshower and overhead simultaneously.

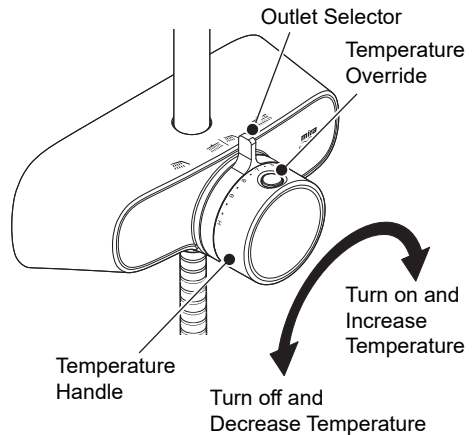
Important! Read the 'Safety Information' before using your shower.

Note: When diverting from hand shower to overhead a small amount of cold water may initially flow.

On/Off and Temperature Control

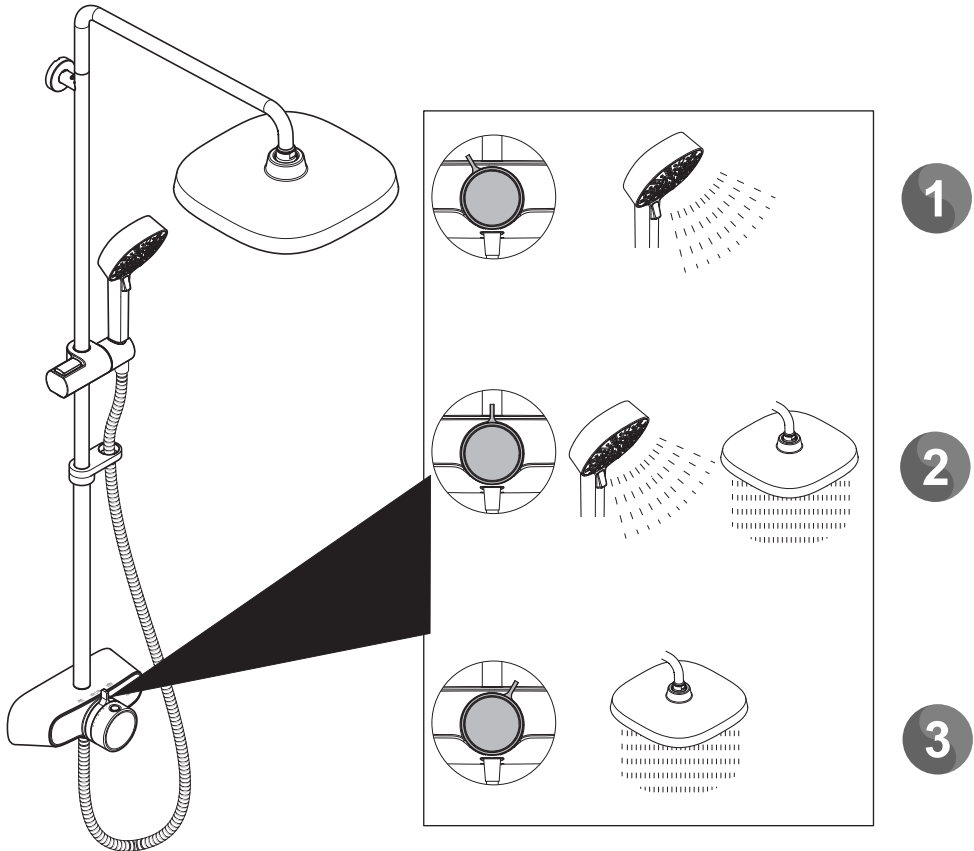


Single Outlet



Dual Outlet

The product turns ON and the temperature increases by rotating the temperature handle in the clockwise direction. Operate the shower and make sure it delivers cold water initially and then further rotate to increase temperature. For safety reasons, the temperature is limited by an override stop button. To obtain a higher temperature, press the override button on the temperature handle and continue to rotate the handle clockwise. Rotate the handle anti-clockwise to reduce temperature and turn the product OFF.



Control Lever Position 1 -
Water comes out of the hand shower.

Control Lever Position 2 -
At this point water will come out of both the overhead and the hand shower.

Note: With some water systems there may be insufficient water flow to operate both outlets together.

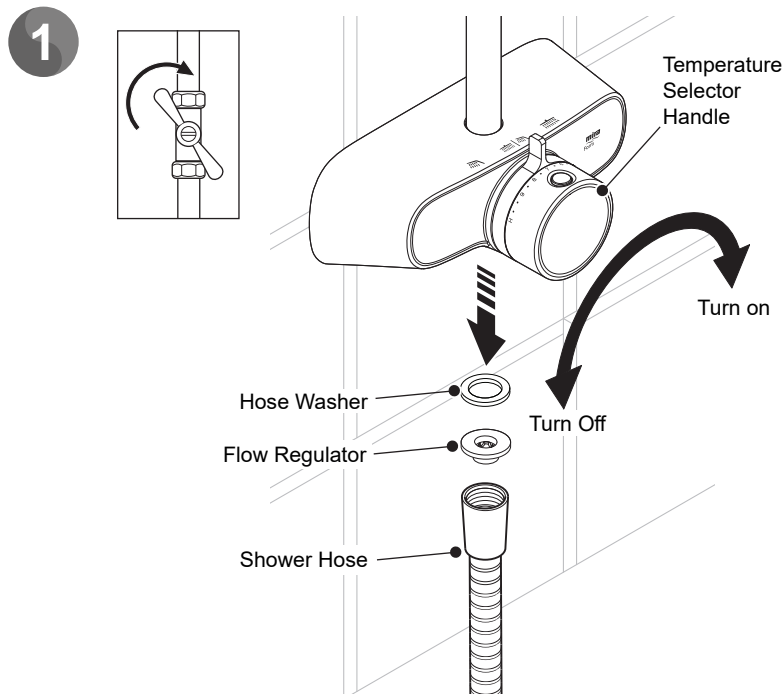
Control Lever Position 3 -
Water comes out of the overhead.

User Maintenance

WARNING! PLEASE OBSERVE THE FOLLOWING TO REDUCE THE RISK OF INJURY OR PRODUCT DAMAGE:

- **DO NOT** allow children to clean or perform any user maintenance to the shower unit without supervision.
- If the shower is not to be used for a long period, the water supply to the shower unit should be isolated. If the shower unit or pipework is at risk of freezing during this period, a qualified, competent person should drain them of water.

Inlet Filter Cleaning

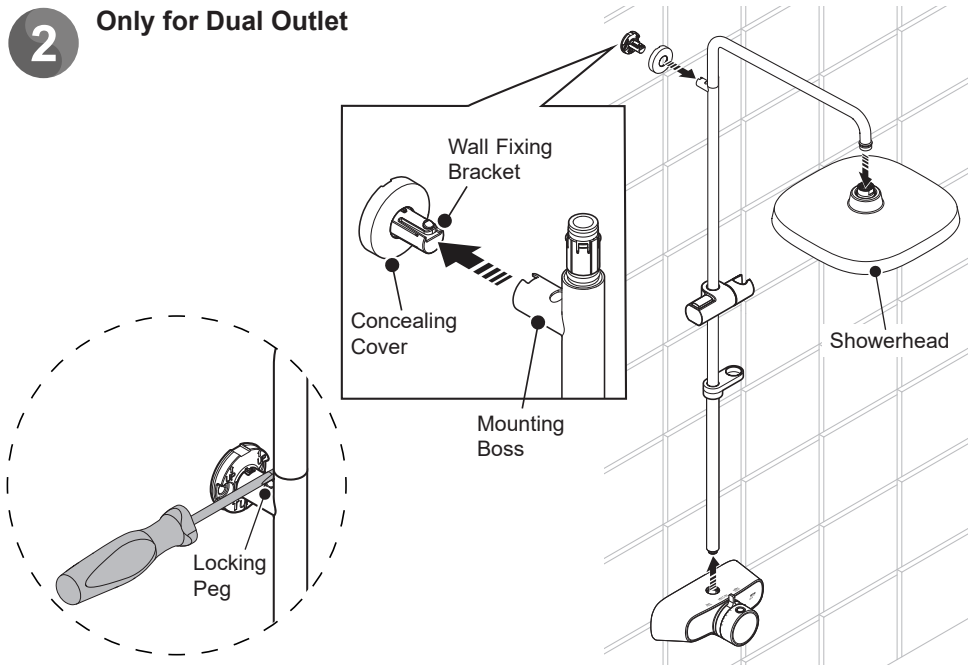


Isolate the water supplies and turn the shower on to relieve the water pressure.

Turn the shower off.

Disconnect the hose from the shower unit. Retain all parts carefully for re-installation.

2 Only for Dual Outlet

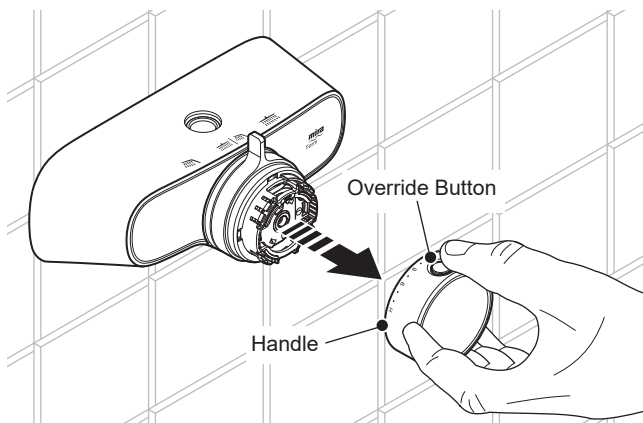


Carefully remove the showerhead from the fittings.

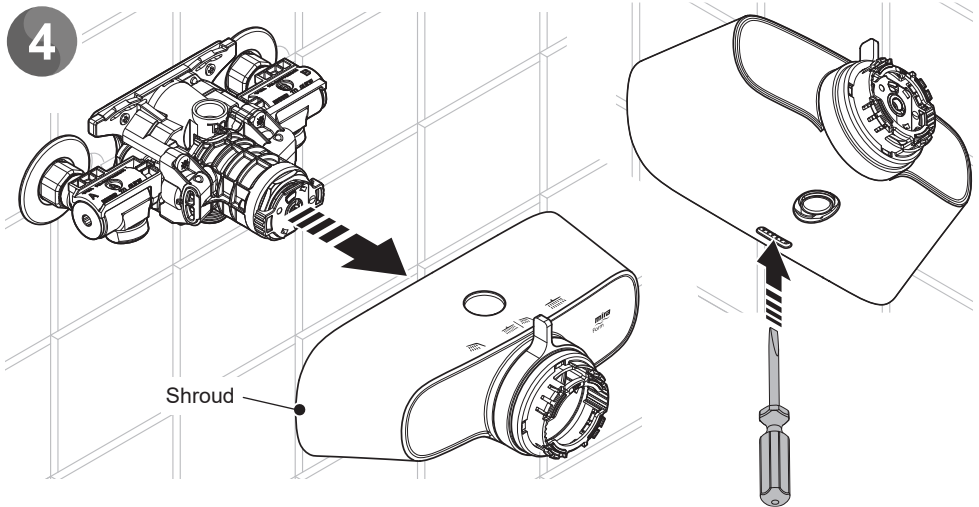
Use a screwdriver sideways to push and hold down the locking peg through the hole in the mounting boss on the upper bar and pull off shower fittings and concealing cover from the wall fixing bracket then remove the lower bar from the mixing valve.

Retain all parts for re-installation.

3

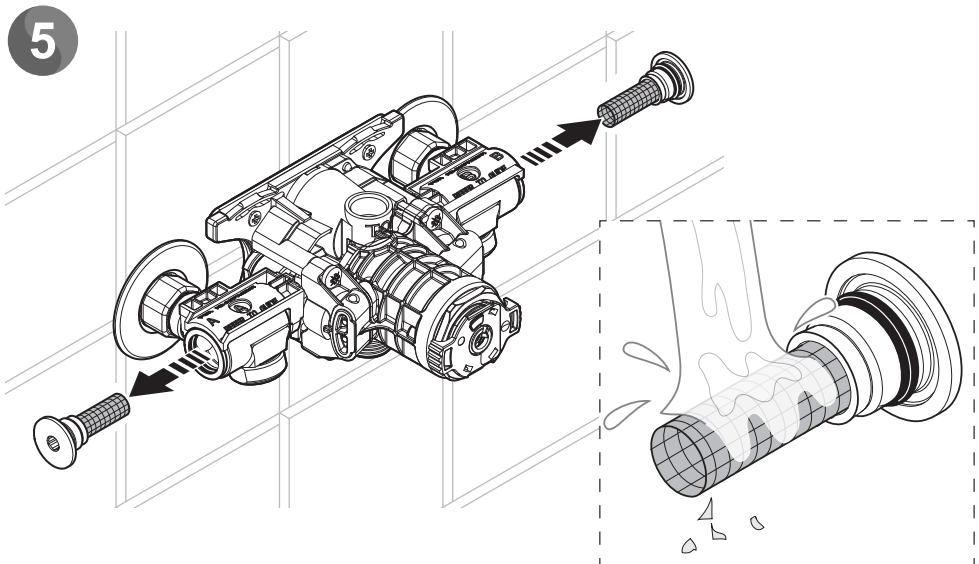


Rotate the handle clockwise until the override button faces upwards. Press the override button, and carefully pull the top of the handle away from the shroud.

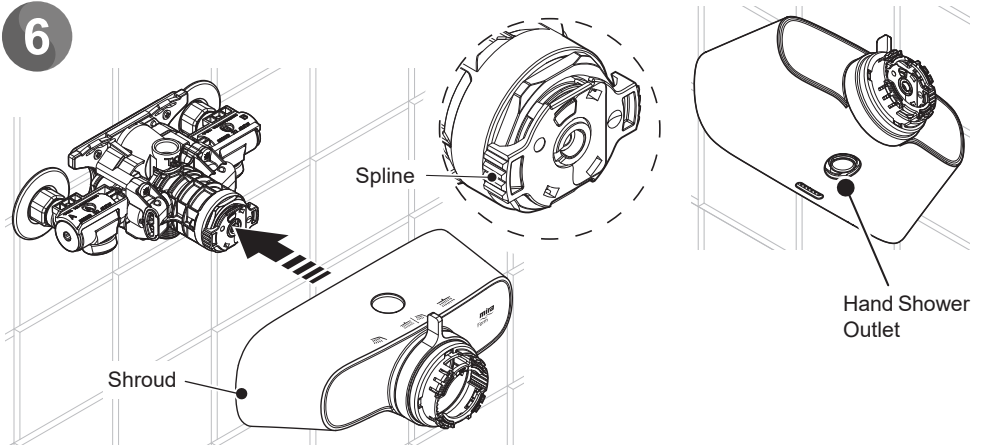


Locate the hole on the underside of a valve, and using a small flat blade screwdriver, gently rotate the screwdriver to lever off the shroud.

Pull off the shroud from valve assembly.



Remove the inlet filters using 6 mm hex key. Rinse the filters in clean water, removing any dirt or debris. Check inside the elbows for debris. Replace if the filter mesh is damaged.



Note: Ensure that the spline is oriented in line as shown above.

Slide the shroud over the valve and push until clipped. Ensure outlets are in the correct position and drive features match. The shroud should click and clip into place. Pull the shroud gently to ensure it is properly clipped into place. Refit the handle and shower fittings in reverse order. Restore the water supplies and check for leaks.

Cleaning

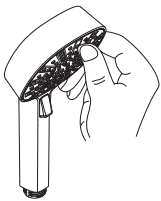
Always read the IMPORTANT SAFETY INFORMATION for your shower.

Cleaning the showerhead

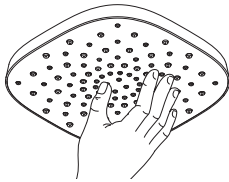
Many household and commercial cleaners, including hand and surface cleaning wipes contain abrasive and chemical substances that can damage plastics, plating and printing and should not be used. These finishes should be cleaned with a mild washing up detergent or soap solution, and then wiped dry using a soft cloth.

De-scaling the Showerhead and inspecting the hose

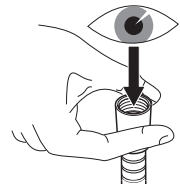
It is **IMPORTANT** to keep the Showerhead and Hose clean and free from blockage to make sure your shower performs to its optimum. The showerhead **MUST** be regularly cleaned and the hose **MUST** be regularly inspected to ensure there is no internal collapse or blockage that could reduce the flow.



Use your thumb or a soft cloth to wipe any limescale from the soft nozzles.



Unscrew the hose from the hand shower and the shower outlet.



Inspect the hose.

Warning! Failure to keep the showerhead nozzles clear or inspect the hose for blockage or internal/external collapse can restrict the flow rate from the shower. This may cause damage to the shower or result in the temperature delivered to the user rising to unsafe levels with a risk of scalding. You **MUST ALWAYS** check the temperature before using the shower.

Fault Diagnosis

If you require a Mira trained service engineer or agent, refer to '**Customer Service**'.

Symptom	Cause/Rectification
Water too hot or too cold	Inlets reversed (hot supply to cold supply). Refer to page 19 to reverse the Inlet supplies Check filters for any blockage. Check the maximum temperature setting (If you have a combination type boiler it may not be producing sufficient hot water at the desired flow rate). Fit a flow regulator to the shower valve outlet. Installation conditions outside operating parameters. Refer to Specifications and Commissioning .
Poor temperature control	Make sure that the inlet temperature differentials are sufficient, refer to ' Specifications '. If fitted to a combi boiler ensure there is sufficient pressure and flow to deliver a constant hot water inlet supply. Check the shower handset, hose and inlet filters for any blockage and clean where necessary.
Fluctuating or reduced flow	Check the shower handset, hose and filters for any blockage. Make sure that the maintained inlet pressures are nominally balanced and sufficient. Refer to Specifications. Air lock or partial blockage in the pipework.
Water leaking from the shower handset/overhead	Normal for a short period after shut off. Check that the pressures are not in excess of the specifications for this product. There may be occasions where the overhead shower or shower handset empties for a while after the shower has been used, this is due to changes in ambient temperatures and is normal. It is recommended that all outlets are therefore enclosed within the water catchment area.

What to do if something goes wrong

If your product does not work correctly check that it is installed and commissioned in accordance with our instructions. If this does not resolve the issue, contact us for help and advice. Refer to Customer Service page for more details.

Spare Parts

A list of spares for these products are available from the Mira Website, visit website www.mirashowers.com.

Activate your Free* Guarantee

Thank you for choosing Mira. By registering your product, this will act as your proof of purchase and enable us to provide the best possible after sales service.

REGISTER NOW visit the Mira website guarantee page

www.mirashowers.co.uk/support/guarantee.htm

(You will need the Model Name, Product Code and Date of Manufacture. This information can be found on the front page of this guide)

* If you do not activate your guarantee proof of purchase will be required.

Mira has appointed Domestic & General Insurance PLC to provide product registration services and protection plans to accompany its products.

What we do with your information

At Domestic & General we want to reassure you that we use your information both responsibly and securely to provide you with the best possible service. Below we explain what we do with your information and your rights to your information. If you would like any further details you can get in touch with us using the contact details below or visit our website (www.domesticandgeneral.com).

Using your information

Domestic & General Insurance PLC ("we") is the "data controller" of your information. We process two sets of information about you, "Personal Information" (your name, address, contact and payment details) and the "Goods Information" you provide to register your appliance or device (your name, address, contact and goods details). We'll use your information:

(i) As necessary to fulfil our contract with you (including to recover any amounts owing); (ii) for our legitimate interests in: undertaking marketing (about our products and services and those of our third party partners) by post, telephone, email and/or other electronic messaging services; market research; customer surveys; printing services; checking and verifying your identity and contact details; recording your conversations for training, quality and compliance purposes; and for analytics and profiling for marketing purposes; and (iii) where required to do so by law. We may also ask for your consent to some uses of your information.

Sharing your information

From time to time your Personal Information and Goods Information may also be shared with other members of the Domestic & General Group of Companies (Domestic & General Insurance or Services and other future members of the Group whose details we will notify to you ("Group")), where applicable with Kohler Mira Limited which is the subject of your protection policy and with companies acting on our behalf or providing services to us (e.g. the companies we use to carry out repairs, IT & mailing services, storage of paper records and telecommunications). Kohler Mira Limited will process your Personal Information for their legitimate business interests (including marketing and analytics) in accordance with their privacy policy.

Transferring your information

In exceptional cases, we may transfer your information to countries outside the European Economic Area (including the US) which may not have data protection laws which provide the same level of protection as provided in the UK. We have put in place Model Clauses as an appropriate safeguard to ensure that such information is adequately secured and protected and that such transfers meet the requirements of applicable data protection law.

Keeping your information

We keep your Personal Information for six years after you terminate your policy so that we can deal with any claims. Your goods information we keep for a bit longer, normally 10 years (the average life of an appliance) for health and safety. We also keep your information to send you marketing that you might be interested in, unless we receive a request from you to opt-out of marketing.

Rights to your information

By writing to the Data Protection Officer using the contact details provided below, you have the right to ask us:

- For a copy of the Personal Information we hold about you
- For a copy of the Personal Information you provided to us to be sent to you or a third party in a commonly used, machine readable format
- To update or correct your Personal Information to keep it accurate
- To delete your Personal Information from our records if it is no longer needed for the original purpose; and
- To restrict the processing of your Personal Information in certain circumstances

And you may also:

- Object to us processing your Personal Information, in which case we will either agree to stop processing or explain why we're unable to, and
- Where we rely on your consent, withdraw that consent at any time

Please note that the above rights are not absolute and certain exemptions apply to them. You can also make a complaint to the Information Commissioner (www.ico.org.uk) if you feel your Personal Information has been mishandled.

Marketing

We, along with other members of our Group and Kohler Mira Limited may use your information to tell you about any offers, products or services which may be of interest to you. We may contact you by post, telephone, email and/or other electronic messaging services.

To change your marketing preference, let us know by emailing marketingpreferences@domesticandgeneral.com or by writing to us using the contact details provided below. For Kohler Mira Limited marketing you'll need to contact them directly using their contact details that you'll normally find in their privacy notice.

Contact Details

If you need to contact us about your information or your information rights, or to see a copy of our Model Clauses, please write to Freepost Plus RTKS-CLRA-GRYE, Data Protection Officer, Domestic & General, Leicester House, 17 Leicester Street, Bedworth CV12 8JP or dataprotection@domesticandgeneral.com and we'll be happy to help you.

Customer Service

Guarantee

Your product has the benefit of our manufacturer's guarantee which starts from the date of purchase. This guarantee only applies in the United Kingdom and Republic of Ireland.

Activating Your Guarantee

Registering your guarantee is quick and simple. To ensure your product is covered, please register online.



Scan the QR code to activate your guarantee now or call 0800 5978551 within 30 days of purchase (UK only).

What is Covered:

- The guarantee applies solely to the original installation under normal use.
- The product must be installed and maintained in accordance with the instructions given in this guide.
- Servicing must only be undertaken by us or our appointed representative.
- Repair under this guarantee does not extend the original expiry date. The guarantee on any replacement parts or product ends at the original expiry date.
- For shower fittings or consumable items we reserve the right to supply replacement parts only.

The guarantee does not cover:

- Call out charges for non product faults (such as damage or performance issues arising from incorrect installation, improper use, inappropriate cleaning, lack of maintenance, build up of limescale, frost damage, chemical attack, corrosion, system debris or blocked filters) or where no fault has been found with the product.
- Water or electrical supply, waste and isolation issues.
- Routine maintenance or replacement parts to comply with the requirements of Building / Plumbing / Electrical Standards or Schemes.
- Compensation for loss of use of the product or consequential or indirect loss of any kind.
- Damage or defects caused if the product is repaired or modified by persons not authorised by us or our appointed representative.
- Accidental or wilful damage.
- Products purchased ex-showroom display.
- Disinfection or descaling to reduce bacterial growth or contamination.

What to do if something goes wrong

If your product is not working correctly please refer to this manual for fault diagnosis and to check that it is installed and commissioned in accordance with our instructions. If this does not resolve the issue, our Customer Services team are here to help get you back up and running. To help us solve your problem quickly, please have your product name, power rating (if applicable) and date of purchase to hand.

Visit www.mirashowers.co.uk

Visit our website to register your guarantee, book a service visit, diagnose faults and purchase products.

Spares and Accessories

We stock a full range of spare parts and fittings and are all available to purchase either online or over the phone. Our online spare parts selector tool will help you quickly and easily identify the spare part for your product.

Visit www.mirashowers.co.uk/parts-accessories

Replacements and Repairs

In the unlikely event that your product needs a repair, our nationwide repairs and installation team are here to help. You can book a convenient date and time online.



Scan the QR code to book a service visit now or visit www.mirashowers.co.uk/support/repair-services/repair-service

We also offer a comprehensive replacement service for when your product needs a little refresh, visit our website or contact our team for more information on our replacement services.

Help us improve

Your experience is important to us and your review (whether good, bad or otherwise) will be posted on Trustpilot.com immediately to help other people make more informed decisions.

Visit uk.trustpilot.com/review/www.mirashowers.co.uk

Need to get in touch?

UK

T: 0800 001 4040
E: askus@mirashowers.com
www.mirashowers.co.uk

Eire

T: 01 531 9337
E: customerserviceire@mirashowers.com
www.mirashowers.ie

Mira is a registered trade mark of Kohler Mira Limited.

The company reserves the right to alter product specifications without notice.

Registered Office:
Cromwell Road,
Cheltenham,
Gloucestershire
GL52 5EP

EU Importer address
K/E S.A.S.
3 rue de Brennus,
93631, La Plaine Saint-Denis,
France



mira
SHOWERS