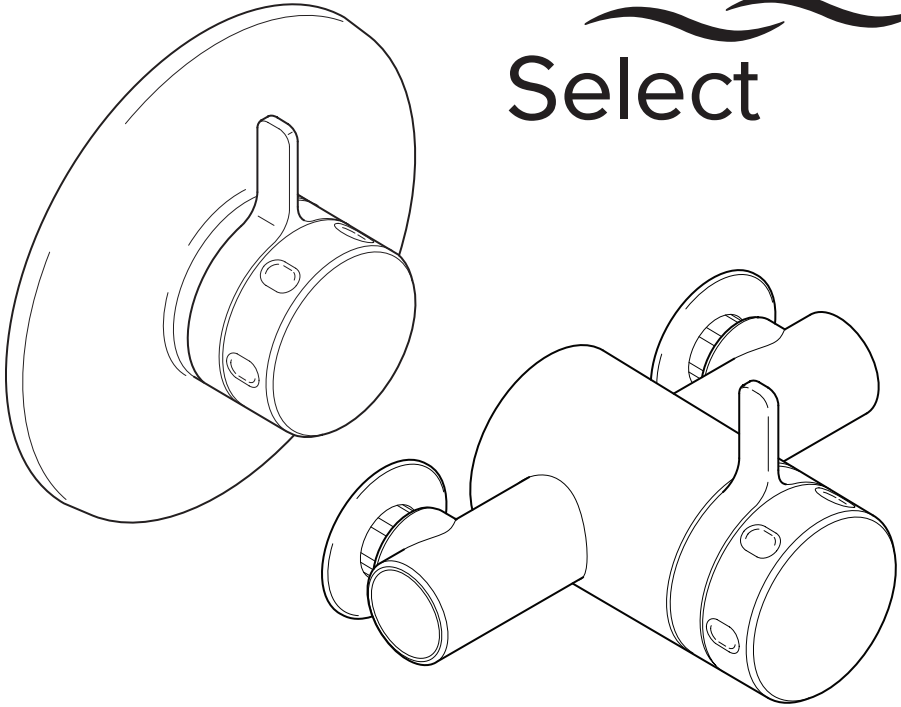


mira



Select



MIRA SELECT

THERMOSTATIC MIXER

INSTALLATION & USER GUIDE

These instructions must be left with the user.

CONTENTS

Introduction	2
Patents and Design Registration	2
Guarantee	3
Recommended Usage	3
Safety Warnings	3
Pack Contents	4
Specifications	5
Installation	7
Suitable Plumbing Systems	7
General	7
Installation Methods	8
Exposed Thermostatic Mixer	9
Built-in Thermostatic Mixer	12
Control Assembly (Built-in Model)	16
Reversed Inlet Supplies	17
Commissioning	19
Maximum Temperature Setting	19
Operation	19
User Maintenance	20
Fault Diagnosis	20
Lubricants	20
Cleaning	20
Inlet Filters	21
Spare Parts	22
Exposed Thermostatic Mixer	22
Built-in Thermostatic Mixer	23

If you experience any difficulty with the installation or operation of your new thermostatic mixer, please refer to 'Fault Diagnosis', before contacting Mira Showers. Our contact details can be found on the back cover of this guide.

INTRODUCTION

Thank you for purchasing a quality Mira product. To enjoy the full potential of your new product, please take time to read this guide thoroughly. Having done so, keep it handy for future reference.

The Mira Select thermostatic mixer is a shower control with separate flow and temperature controls.

The thermostatic mixer incorporates a wax capsule temperature sensing unit which provides an almost immediate response to changes of temperature of the incoming water supplies to maintain the selected showering temperature. An adjustable temperature stop is provided which limits the maximum temperature to a safe level. Inlet filters are fitted to protect the thermostatic cartridge.

Mira Select Exposed: Thermostatic mixer for connection to rising, falling or rear entry pipework.

Mira Select Built-in: Thermostatic mixer for connection to concealed pipework. Includes a right angle connector (RAC) for connecting concealed pipework to exposed shower fittings.

Type 2 Valves

This product has been certified as a Type 2 valve under the BUILDCERT TMV2 scheme. It also complies with the Water Supply (water fittings) Regulations 1999.

Application

The approved designations for Type 2 Valves are as follows:

Models	Designation
Mira Select	HP-S, LP-S

Important! The fitting of any flow regulator will invalidate TMV2 compliance due to the minimum flow rate requirements. Do not fit flow regulators in TMV2 applications.

For Type 2 Valves refer to the TMV2 Requirements Manual.

Optimum performance of the Mira Select is achieved when used together with Mira Select or Mira Energise Shower Fittings.

Patents and Design Registration

Patents:

GB: 2 291 693, 2 392 225, 2 421 297
Euro: 1 672 257 DE, FR, GB, IT, NL, SE
USA: 7 240 850

Patent Applications:

GB: 2 435 077
Euro: 03254070.0
USA: US-2007-0221740-A1

Design Registration:

000578463-0004 - 0006

Guarantee

For **domestic installations**, Mira Showers guarantee the Mira Select against any defect in materials or workmanship for a period of **two** years from the date of purchase (shower fittings for one year).

For **non-domestic installations**, Mira Showers guarantee the Mira Select against any defect in materials or workmanship for a period of **one** year from the date of purchase.

For terms and conditions refer to the back cover of this guide.

Recommended Usage

Domestic	✓
Light Commercial	✓
Heavy Commercial	✗
Healthcare	✗

SAFETY WARNINGS

General

Mira thermostatic mixers are precision engineered and should give continued safe and controlled performance, provided:

1. They are installed, commissioned, operated and maintained in accordance with the manufacturer's recommendations.
2. Type 2 Valves are only used for applications covered by their approved designations, refer to the TMV2 Requirements Manual.
3. Periodic attention is given, when necessary, to maintain the product in good functional order.

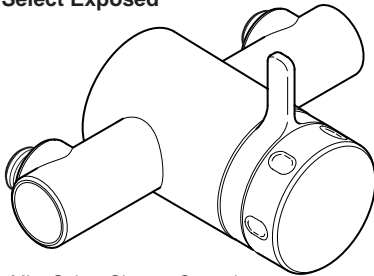
Warning!

1. Read all of these instructions.
2. Retain this guide for later use.
3. Pass on this guide in the event of change of ownership of the installation site.
4. Follow all warnings, cautions and instructions contained in this guide.
5. Anyone who may have difficulty understanding or operating the controls of any shower should be attended whilst showering. Particular consideration should be given to the young, the elderly, the infirm or anyone inexperienced in the correct operation of the controls.
6. Rapid/Excessive movement of the flow and/or temperature control levers may result in momentary unstable blend temperatures.
7. Care is required when adjusting flow or temperature, make sure that the temperature has stabilised.
8. When this product has reached the end of its serviceable life, it should be disposed of in a safe manner, in accordance with current local authority recycling, or waste disposal policy.

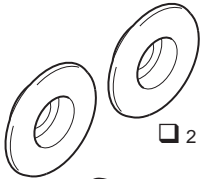
PACK CONTENTS

Tick the appropriate boxes to familiarise yourself with the part names and to confirm that all of the parts are included.

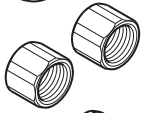
Mira Select Exposed



- 1 x Mira Select Shower Control



- 2 x Concealing Plates



- 2 x Compression Nuts



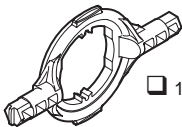
- 2 x Olives



- 1 x 12 L/Min Flow Regulator



- 1 x 2.5 mm Hexagon Key



- 1 x 'O' Key



- 2 x No 8 x 1 1/4" Screws

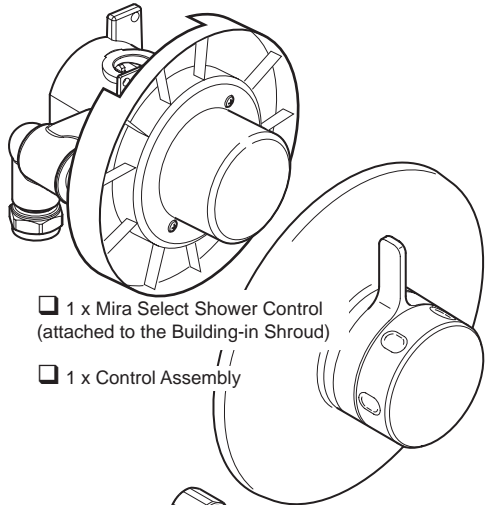


- 2 x Wall Plugs

Documentation

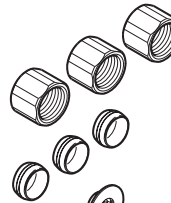
- 1 x Guarantee Registration Document
- 1 x Installation Template
- 1 x TMV2 Requirements Manual

Mira Select Built-In



- 1 x Mira Select Shower Control (attached to the Building-in Shroud)

- 1 x Control Assembly



- 3 x Compression Nuts



- 3 x Olives



- 1 x 12 L/Min Flow Regulator



- 1 x 2.5 mm Hexagon Key



- 1 x 'O' Key



- 2 x Wall Plugs



- 2 x No 8 x 1 1/4" Screws



- 2 x M5 x 40 mm Screws



- 2 x Securing Brackets



- 2 x Bracket Screws

SPECIFICATIONS

For Type 2 Valves, the supply conditions specified in the TMV2 Requirements Manual take precedence over the operating parameters which follow.

Pressures

- Max Static Pressure: **10 Bar**.
- Max Maintained Pressure: **5 Bar**.
- Min Maintained Pressure (Gravity System): **0.1 Bar**. (0.1 bar = 1 Metre head from cold tank base to showerhead outlet).

Note! For gravity fed or other low pressure systems do not fit the outlet flow regulator.

- For optimum performance supplies should be nominally equal.

Flow Regulator Installation

Flow regulators are supplied with this product and should be fitted in high pressure systems to either;

- Reduce excessive force and flow rate.
- Reduce noise through the mixer due to high or unequal pressures.
- Stabilise incoming supply temperatures.

Important! The fitting of flow regulators will invalidate any TMV2 compliance due to minimum flow rate requirements. Do not fit the flow regulator in TMV2 applications.

Temperatures

- Factory Pre-set (Blend) Shower: **41°C**.
- Optimum Thermostatic Control Range: **35°C to 43°C** (achieved with supplies of 15°C cold, 65°C hot and nominally equal pressures).
- Recommended Hot Supply: **60°C to 65°C**
Note! The mixing valve can operate at higher temperatures for short periods without damage, however this could detrimentally affect thermostatic performance. For safety and performance reasons it is recommended that the maximum hot water temperature is limited to 65°C.
- Cold Water Range: up to **25°C**.
- Minimum Recommended Differential between Hot Supply and Outlet Temperature: **12°C**.

Thermostatic Shut-down

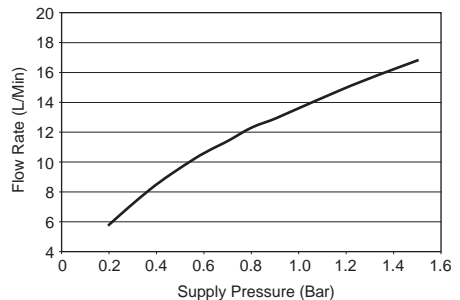
- For safety and comfort the thermostat will shut off the mixing valve **within 2 Seconds** if either supply fails (achieved only if the blend temperature has a minimum differential of 12°C from either supply temperature).

Connections

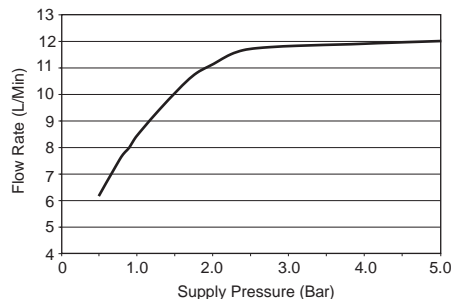
- Inlets: 15 mm Compression.
- Outlet: ½" BSP Flat Face / 15 mm Compression
- Standard connections are: **hot - left, cold - right, outlet - bottom (Exposed models), top (Built-in models)**.

Flow Rates

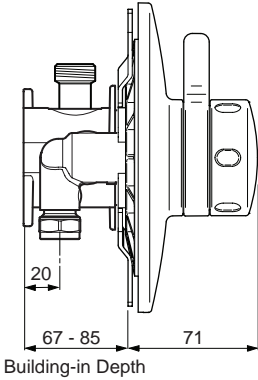
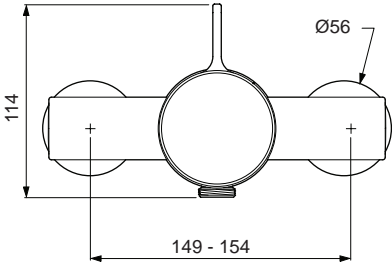
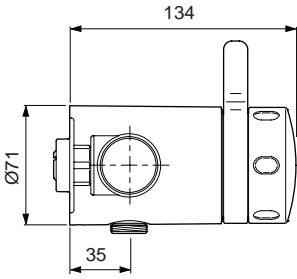
Typical Flow Rates on Low Pressure Systems (0.1 bar to 1 bar) - Mira Select with Mira Fittings:



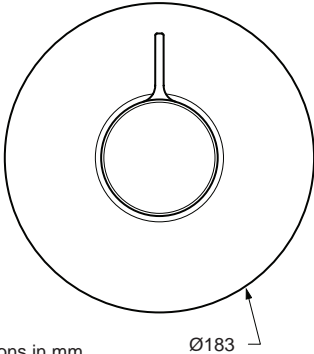
Typical Flow Rates on High Pressure Systems (1 bar to 5 bar, with 12 L/Min Flow Regulator fitted in shower control outlet) - Mira Select with Mira Fittings:



Dimensions



Building-in Depth



All dimensions in mm

INSTALLATION

Suitable Plumbing Systems

Gravity Fed:

The thermostatic mixer must be fed from a cold water cistern (usually fitted in the loft space) and a hot water cylinder (usually fitted in the airing cupboard) providing nominally equal pressures.

Mains Pressurised Instantaneous Hot Water System (Combination Boiler):

The thermostatic mixer can be installed with systems of this type with balanced pressures. (Recommended Minimum Maintained Pressure: **1.0 Bar**).

Unvented Mains Pressure System:

The thermostatic mixer can be installed with an unvented, stored hot water system.

Pumped System:

The thermostatic mixer can be installed with an inlet pump (twin impeller). The pump must be installed in a suitable location and in accordance with its instructions.

General

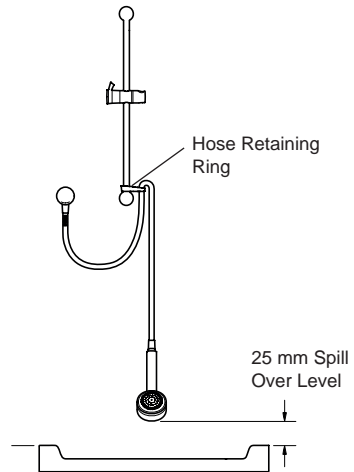
Installation must be carried out in accordance with these instructions, and must be conducted by designated, qualified and competent personnel.

The installation must comply with the "Water Supply Regulations 1999 (Water Fittings)" or any particular regulations and practices, specified by the local water company or water undertakers.

Note! Make sure that all site requirements correspond to the information given in section: '**Specifications**'. For Type 2 Valves see also supply conditions in the TMV2 Requirements Manual.

1. The mixer must not be installed in an area where it may freeze.
2. For stud partitions alternative fixings may be required.
3. Isolating valves **must** be installed close to the Mixer for ease of maintenance.
4. Pipework must be rigidly supported and avoid any strain on the connections.

5. Pipework dead-legs should be kept to a minimum.
6. Decide on a suitable position for the mixer. The position of the mixer and the shower fittings must provide a minimum gap of 25 mm between the spill-over level of the shower tray/bath and the showerhead (refer to illustration). This is to prevent back-siphonage. For further information on the installation of your **Shower Fittings**, refer to the shower fittings installation and user guide.
Note! Only use shower fittings recommended by the manufacturer or supplier.

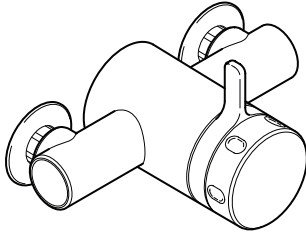


Installation Methods

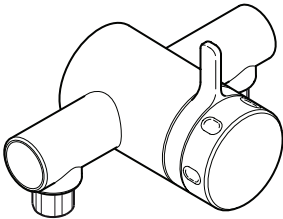
The **Exposed Select Thermostatic Mixer** can be installed with rear, rising or falling supply inlets.

Note! The thermostatic mixer has adjustable inlets to fit existing pipework centres between 149 mm and 154 mm.

For rear entry supplies, refer to section: '**Exposed Thermostatic Mixer, 1. Rear Entry Supplies**'.



For rising or falling supplies, refer to section: '**Exposed Thermostatic Mixer, 2. Rising or Falling Supplies**'.

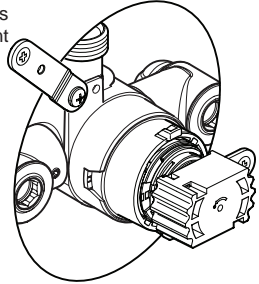


The **Built-in Select Thermostatic Mixer** can be installed with rising or falling supply inlets (rising inlets are illustrated).

The thermostatic mixer can be installed using the rear fixing points, or by using the securing brackets (supplied) on the front surface of a solid wall or stud partition, or on the rear surface of a laminated panel.

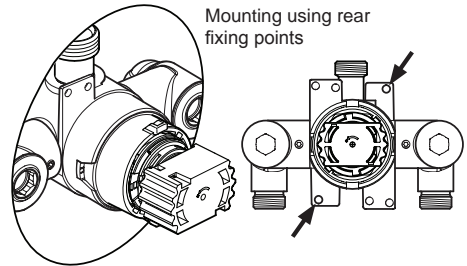
For installation into a solid wall or stud partition using the securing brackets, refer to section: '**Built-in Thermostatic Mixer, 1. Solid Wall or Stud Partition (Using Securing Brackets - Mounting on Front Face of Wall)**'.

Securing Brackets
(mounting on front
surface of wall)



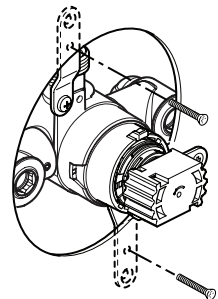
For installation into a solid wall or stud partition using the rear fixing points, refer to section: '**Built-in Thermostatic Mixer, 2. Solid Wall or Stud Partition (Using Rear Fixing Points on Thermostatic Mixer)**'.

Mounting using rear
fixing points



For installation behind a laminated panel using the securing brackets, refer to section: '**Built-in Thermostatic Mixer, 3. Laminated Panel (Using Securing Brackets - Mounting on Rear Face of Wall)**'.

Securing Brackets
(mounting on rear
surface of wall)

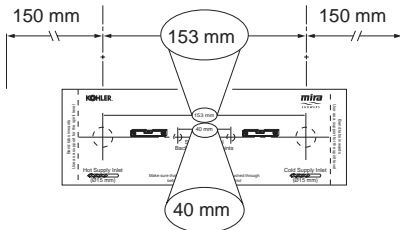
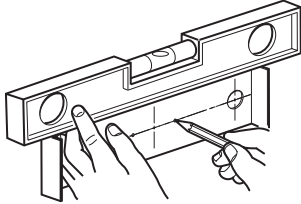


Exposed Thermostatic Mixer

1. Rear Entry Supplies (rising or falling concealed pipework)

1. Use the installation template to mark the positions of the holes for the backplate and the pipe centres.

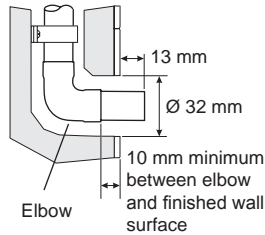
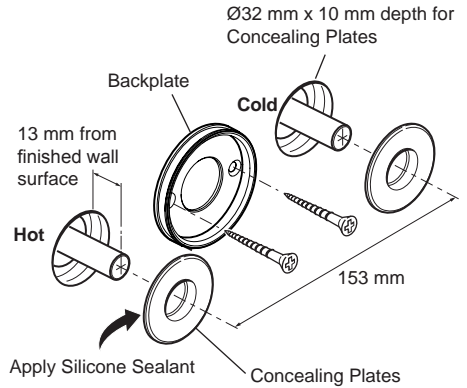
Note! Allow a minimum of 150 mm either side of the mixing valve, to allow access to the hot and cold inlet filters for servicing.



2. For solid walls drill the holes for the backplate with a $\text{Ø}6$ mm drill and insert the wall plugs (supplied). For other types of wall structure alternative fixings may be required (not supplied).
3. Drill the holes for the supply pipes at 153 mm centres.
4. Create a recess in the wall to allow for the concealing plates, $\text{Ø}32$ mm x 10 mm deep.

Note! Depth must be sufficient to prevent the concealing plates fouling on the plumbing elbows.
5. Fit the supply pipework (**Hot - Left, Cold - Right**). The pipework must project 13 mm from the finished wall surface at 153 mm centres (use the Installation Template as a guide).

Note! If the connections are reversed, complete the installation then refer to section: **'Reversed Inlet Supplies'**.



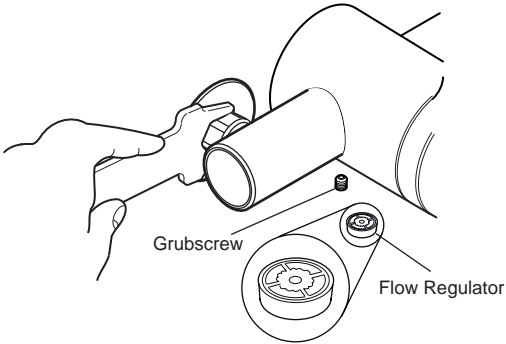
6. Loosen the grub screw with the 2.5 mm hexagon key (supplied) and remove the backplate from the mixing valve.
7. Secure the backplate to the wall using the screws (supplied).
8. Fit the concealing plates.

Note! Apply silicone sealant to the back face of the flange.

Caution! It is essential at this point that the supply pipework is thoroughly flushed through before connection to the mixing valve. Failure to do so may result in product malfunction.
9. Fit the compression nuts and olives onto the pipework.
10. Align the mixing valve with the pipework and fit onto the backplate. Minor misalignment of the pipework can be accommodated by the inlets, which are adjustable between 149 and 154 mm centres.

11. Tighten the compression nuts onto the elbows with a suitable spanner.

Caution! Take care not to damage the chrome surfaces.



12. Tighten the grubscrew to secure the mixing valve to the backplate.
13. Fit the shower fittings, refer to your shower fittings installation and user guide for instructions.

Note! Noise may occur when the shower is installed on high pressure systems. Fit the flow regulator (supplied) inside the outlet nipple (refer to illustration) to make sure that the shower is operated with the on/off control in the fully open position.

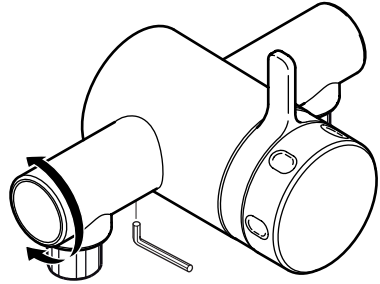
Important! The fitting of this flow regulator will invalidate any TMV2 compliance due to the minimum flow rate requirements, **do not** fit the flow regulator in these applications.

14. Turn on the hot and cold water supplies and check for leaks.
15. Before using the shower, refer to section: 'Commissioning'.

2. Rising or Falling Supplies

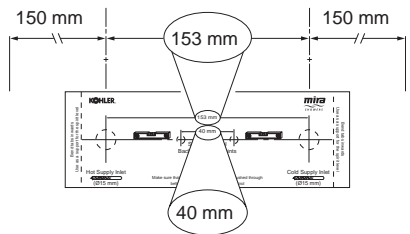
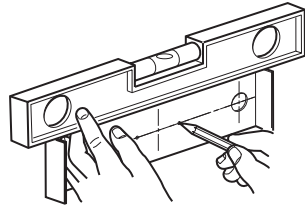
1. Loosen the grubscrew on each elbow using the 2.5 mm hexagon key (supplied) and rotate the elbow 90° as required. Retighten the grubscrews.

Note! Do not overtighten.



2. Use the installation template to mark the positions of the fixing holes for the backplate.

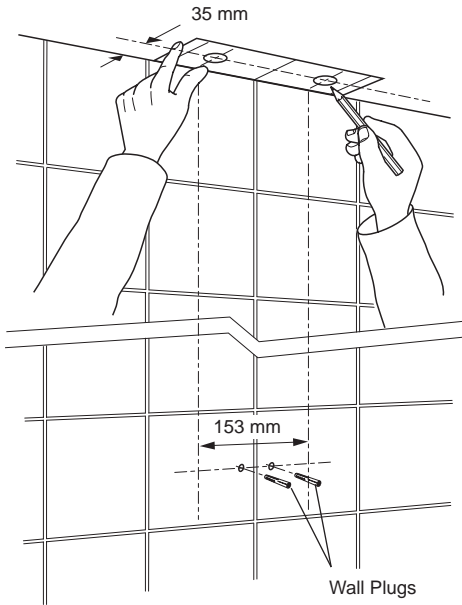
Note! Allow a minimum of 150 mm either side of the mixing valve to allow servicing of the hot and cold inlet filters.



3. For solid walls, drill the holes for the backplate with a Ø6 mm drill and insert the wall plugs (supplied). For other types of wall structure, alternative fixings may be required (not supplied).

- Using the installation template as a guide, set the pipe centres 35 mm from the finished wall and mark the pipe positions.
- Fit the supply pipework (**Hot - Left, Cold - Right**).

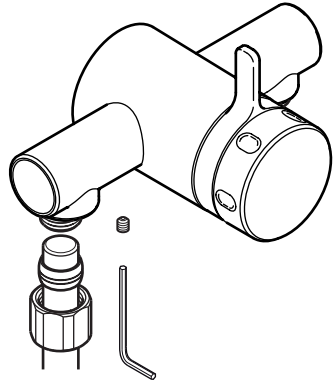
Note! If the connections are reversed, complete the installation then refer to section: **'Reversed Inlet Supplies'**.



- Loosen the grub screw with the 2.5 mm hexagon key (supplied) and remove the backplate from the mixer.
 - Secure the backplate to the wall using the screws (supplied).
- Caution!** It is essential at this point that the supply pipework is thoroughly flushed through before connection to the mixing valve. Failure to do so may result in product malfunction.
- Fit the compression nuts and olives onto the pipework.
 - Align the mixing valve with the pipework and fit onto the backplate. Minor misalignment of the pipework can be accommodated by the inlets, which are adjustable between 149 and 154 mm centres.
 - Tighten the compression nuts onto the mixer with a suitable spanner.

Caution! Take care not to damage the chrome surfaces.

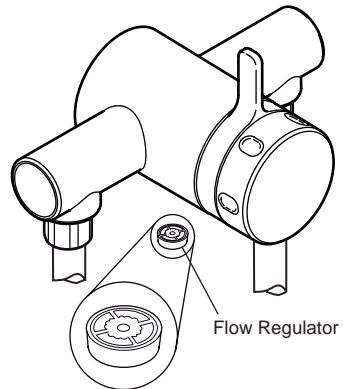
- Tighten the grub screw to secure the mixing valve to the backplate.



- Fit the shower fittings, refer to your shower fittings installation and user guide.

Note! Noise may occur when the shower is installed on high pressure systems. Fit the flow regulator (supplied) inside the outlet nipple (refer to illustration) to make sure that the shower is operated with the on/off control in the fully open position.

Important! The fitting of this flow regulator will invalidate any TMV2 compliance due to the minimum flow rate requirements, **do not** fit the flow regulator in these applications.

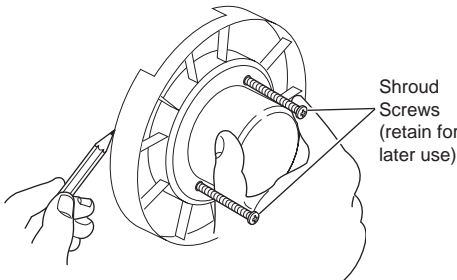


- Turn on the hot and cold water supplies and check for leaks.
- Before using the shower, refer to section: **'Commissioning'**.

Built-in Thermostatic Mixer

1. Solid Wall or Stud Partition (Using Securing Brackets - Mounting off Front Face of Wall)

1. Determine the route for the hot and cold supply pipework and for the outlet pipework. When connecting to the BIV shower fittings it is recommended that the outlet be positioned above and to one side of the mixing valve. This is to prevent the flexible hose from obstructing the shower controls.
2. Remove the two shroud screws (retain for later use) and separate the mixing valve from the building-in shroud.
3. Determine the position of the mixing valve and draw around the building-in shroud.



4. Mark the routes for the hot and cold supply pipework at 108 mm centres (**Hot - Left, Cold - Right**).

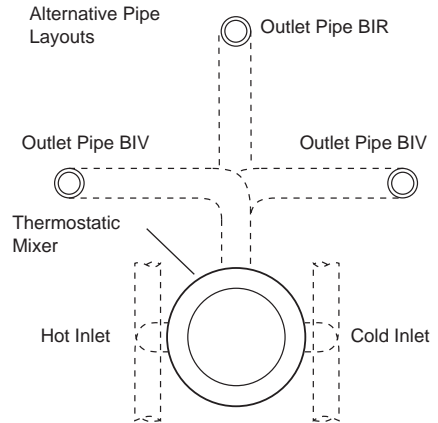
Falling supplies: For falling supplies loosen the grub screw on each elbow using the 2.5 mm hexagon key (supplied). Remove the elbows and install on opposite sides. Retighten the grub screws.

Note! Do not overtighten.

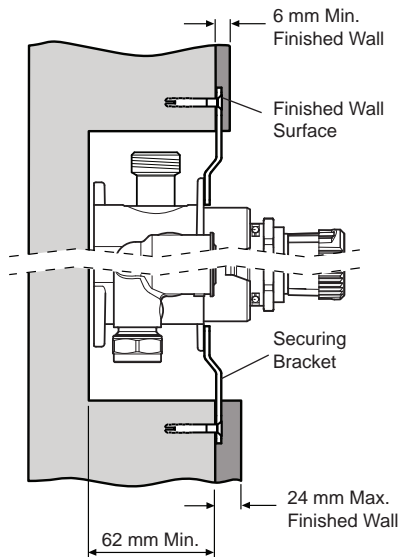
Note! Make sure that the 'O' seals are correctly fitted and that the filter plugs are positioned to the front (i.e. hexagonal key hole facing forward).

5. Mark the route for the outlet pipework.

Note! The outlet elbow should be sited above the mixing valve and on the right or left, as site dictates.



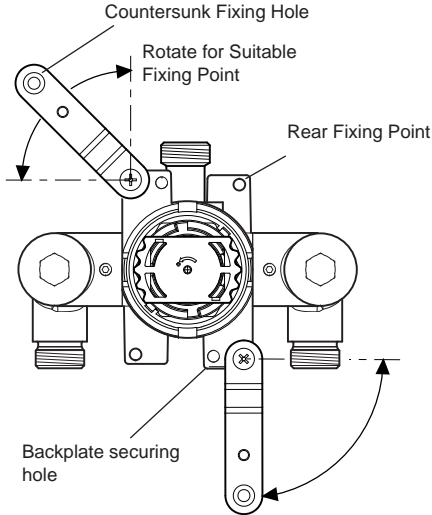
6. Remove the plasterboard and/or brick work to a minimum depth of 62 mm.



7. Secure the securing brackets to the mixing valve with the bracket screws.

Important! Make sure that the correct holes are used, otherwise the backplate cannot be fitted.

Note! The securing brackets can be rotated for suitable fixing points.



Note! Securing Brackets shown in preferred position to allow the Compression Nuts to be tightened.

8. Making sure that the mixing valve is level, mark the positions for the countersunk fixing holes on the wall.

9. For solid walls, drill two Ø6 mm holes for the wall plugs.

Caution! Do not drill into pipes or electrical cables buried in the wall.

10. Fit the wall plugs provided and secure the mixing valve to the wall with the screws supplied.

Note! For stud partition installations, alternative fixings may be required (not supplied).

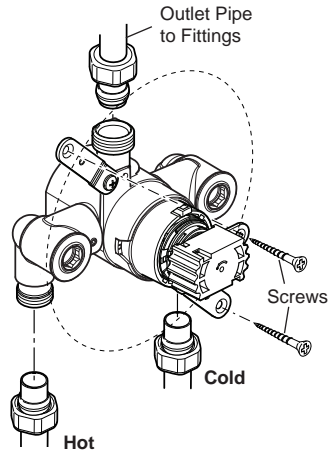
11. Connect the hot and cold supply pipes and tighten the compression nuts.

Caution! Make sure that the olives are fitted and all pipework is flushed through before connecting to the mixing valve.

12. Connect the outlet pipework and install the RAC assembly or BIR assembly, **before** continuing with the installation of the mixing valve.

RAC assembly, go to section: 'Installation, RAC Assembly'.

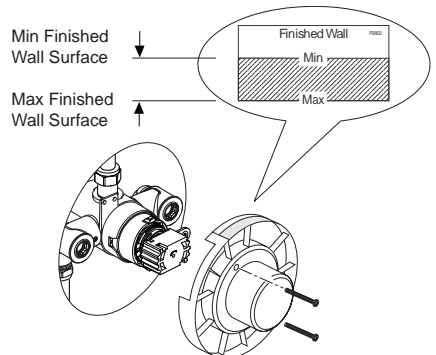
BIR assembly - refer to your shower fittings installation and user guide and follow instructions 13 to 19.



13. Secure the building-in shroud to the mixing valve using the two shroud screws removed earlier.

14. Using the building-in shroud as a guide, finish the wall, e.g. tiles.

Caution! Make sure that the finished wall is within the maximum and minimum limits and to an even depth (no greater than 2 mm variation) or the control components will not fit correctly.



15. Remove the two shroud screws (retain for later use) and remove the building-in shroud.

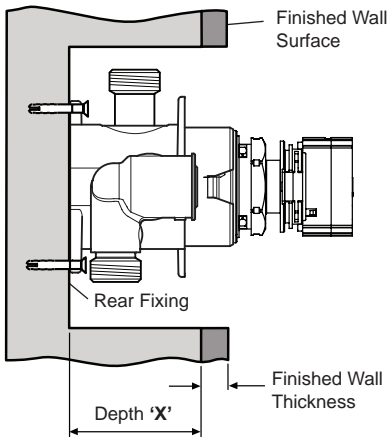
16. Fit the concealing plate and control assembly. Refer to section: 'Control Assembly'.

2. Solid Wall or Stud Partition (Using Rear Fixing Points on the Thermostatic Mixer)

1. Refer to section: ‘1. Solid Wall or Stud Partition (Using Securing Brackets - Mounting off Front Face of Wall)’ and follow steps 1 to 4.
2. Cut away the plasterboard and/or brick work to the required depth.

Important! This depth ‘X’ will depend on the finished wall thickness e.g. tiles or facia board. Refer to the table for this measurement.

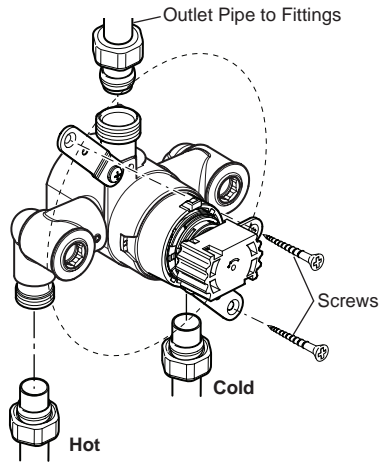
For stud partitions depth ‘X’ refers to the distance from the rear mounting e.g. timber noggin, to the front of the wall (before tiling).



Finished Wall Thickness (e.g. tile and adhesive)	Wall Cutout Depth 'X'
4 mm	81 - 63 mm
6 mm	79 - 61 mm
8 mm	77 - 59 mm
10 mm	75 - 57 mm
12 mm	73 - 55 mm
14 mm	71 - 55 mm
16 mm	69 - 55 mm
18 mm	67 - 55 mm
20 mm	65 - 55 mm
22 mm	63 - 55 mm
24 mm	61 - 55 mm

3. Make sure that the mixing valve is level, central in the hole and square to the finished wall surface. This is to make sure that the control assembly will fit correctly. Mark the positions of the fixing screw holes on the wall.
4. For solid walls, drill two Ø6 mm holes for the wall plugs.
5. Insert the wall plugs (supplied) and secure the mixing valve to the wall with the screws provided.

Note! For stud partition installations alternative fixings may be required (not supplied) to fix the mixing valve to the rear face of the wall cavity or to a timber noggin.



6. Refer to section: ‘1. Solid Wall or Stud Partition (Using Securing Brackets - Mounting off Front Face of Wall)’ and follow steps 11 and 12.

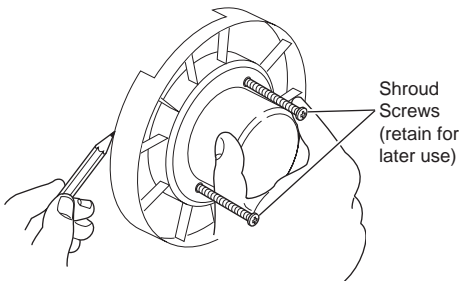
3. Laminated Panel (Using Securing Brackets - Mounting on Rear Face of Wall)

Note! For laminated panels the mixing valve must be positioned from the rear of the panel.

Panel thickness must be between 4 and 12 mm. (If a thicker panel is used, it will be necessary to recess the securing brackets into the rear of the panel.)

Important! Make sure that there is a minimum clearance of 64 mm behind the laminated panel to accommodate the mixing valve.

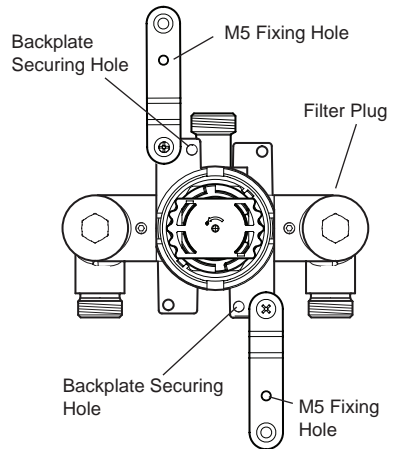
1. Remove the two shroud screws (retain for later use) and separate the mixing valve from the building-in shroud.



2. Mark the position of the mixing valve using the building-in shroud as a guide.
3. Carefully cut out the laminated panel.
4. Secure the securing brackets to the mixing valve with the bracket screws.

Important! The securing brackets must be fixed vertically, as illustrated.

Important! Make sure that the correct holes are used, otherwise the backplate cannot be fitted.

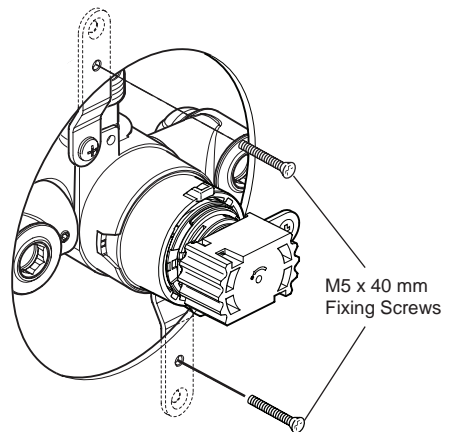


5. Position the mixing valve on the front of the panel, make sure that it is level and central in the hole, then mark the position of the M5 fixing holes.

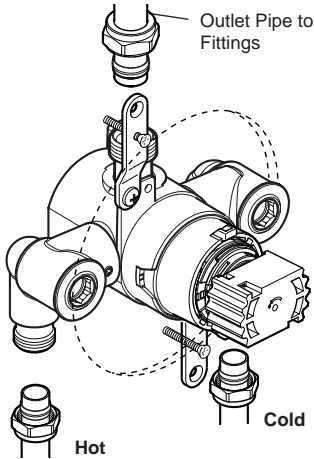
Important! Make sure that the correct holes are used (refer to illustration).

Note! Make sure that the filter plugs are positioned so that they can be removed for servicing.

6. Drill the two $\text{\O}5.5$ mm holes for the fixing positions (countersink the holes at the front).
7. Secure the mixing valve on the rear of the panel with the M5 x 40 mm screws as shown.



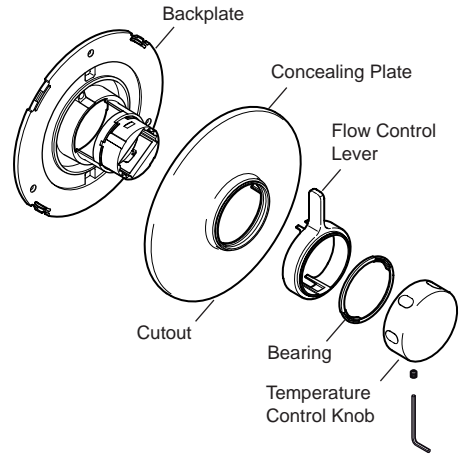
8. Fit the hot and cold supply pipes (**hot - left, cold - right**) and tighten the compression nuts. **Caution!** Make sure that the olives are fitted and all pipework is flushed through before connecting to the mixing valve.



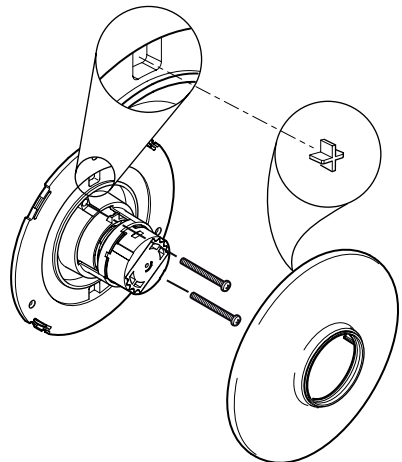
9. Connect the outlet pipework and install the RAC assembly or BIR assembly, **before** continuing with the installation of the mixing valve.
RAC assembly, go to section: 'Installation, RAC Assembly'.
BIR assembly - refer to your shower fittings installation and user guide.
10. Fit the concealing plate and control assembly. Refer to section: 'Control Assembly'.

Control Assembly (Built-in Model)

1. Unscrew the grub screw and pull off the temperature control knob, bearing and flow control lever.
2. Carefully separate the control assembly.
Note! Use a screwdriver in the cutout to assist separation of the concealing plate from the backplate.

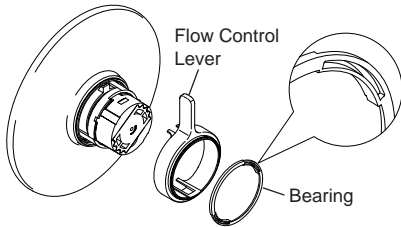


3. Attach the backplate using the two shroud screws removed previously. Tighten the screws until the foam seal is compressed against the finished wall. **Do not** overtighten.
4. With the cutout at the bottom, locate the concealing plate over the mixer, engage the crosses in the concealing plate with the square recesses in the backplate, and push firmly until the concealing plate clicks into position.



5. Locate the flow control lever over the control assembly and push firmly into place.
6. Fit the bearing onto the flow lever.

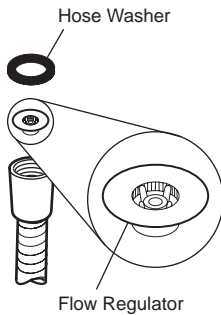
Note! Align the bearing with the cutouts on the control assembly.



7. Fit the shower fittings, refer to your shower fittings installation and user guide.

Note! Noise may occur when the shower is installed on high pressure systems. Fit the flow regulator (supplied) under the hose washer (refer to illustration) to make sure that the shower is operated with the on/off control in the fully open position.

Important! The fitting of this flow regulator will invalidate any TMV2 compliance due to the minimum flow rate requirements, **do not** fit the flow regulator in these applications.



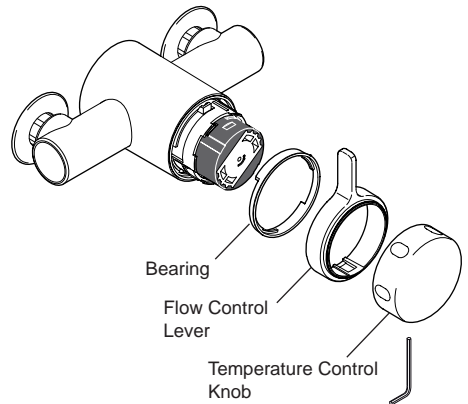
8. Turn on the hot and cold water supplies and check for leaks.
9. Before using the shower, refer to section: 'Commissioning'.

Reversed Inlet Supplies

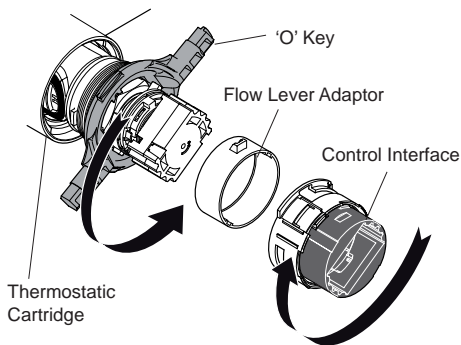
The Mira Select thermostatic mixer is supplied with inlet connections **Hot - Left, Cold - Right** and **Outlet - Bottom** (exposed models), **Outlet - Top** (built-in models) as standard. If the hot and cold water supply pipes have been reversed during installation, the thermostatic cartridge must be removed and rotated 180°.

Exposed Model:

1. Isolate the hot and cold water supplies and operate the flow control lever to relieve pressure and drain any residual water.
2. Loosen the temperature control knob grubscrew with a 2.5 mm hexagonal key and pull off the temperature control knob, flow control lever and bearing.



3. Rotate the white section of the control interface clockwise by 90° and pull off the control interface and flow control lever adaptor.
4. Locate the 'O' key (supplied) onto the cartridge nut and turn anticlockwise. Unscrew fully and pull the thermostatic cartridge from the mixing valve.



5. Rotate the thermostatic cartridge 180°.
6. Make sure that the two inlet seals are fitted and carefully push the thermostatic cartridge back into the mixing valve, aligning the lugs into the slots.

Note! Check that the cartridge lug stamped 'H' is aligned with the hot inlet supply.

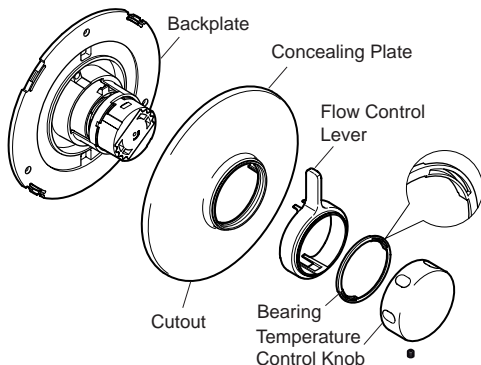
Important! Take care when fitting the thermostatic cartridge. Damage to the cartridge inlet seals may result in dripping from the showerhead.

7. Tighten the nut by turning the 'O' key clockwise.
8. Refit the controls in reverse order. Make sure the shower operates correctly. Refer to section: '**Commissioning**'.

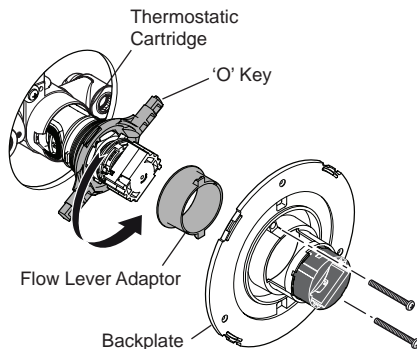
Built-in Model:

1. Isolate the hot and cold water supplies and operate the flow control lever to relieve pressure and drain any residual water.
2. Loosen the temperature control knob grubscrew with a 2.5 mm hexagonal key and pull off the temperature control knob, bearing and flow control lever.
3. Carefully unclip the concealing plate from the backplate.

Note! Use a suitable screwdriver in the cutout to assist separation.



4. Unscrew the two backplate screws and remove the backplate.
5. Pull off the red flow lever adaptor.
6. Locate the 'O' Key (supplied) onto the cartridge nut and turn anticlockwise. Unscrew fully and pull the thermostatic cartridge from the mixing valve.



7. Rotate the thermostatic cartridge 180°.
8. Make sure that the two inlet seals are fitted and carefully push the thermostatic cartridge back into the mixing valve, aligning the lugs into the slots.

Note! Check that the cartridge lug stamped 'H' is aligned with the hot inlet supply.

Important! Take care when fitting the thermostatic cartridge. Damage to the cartridge inlet seals may result in dripping from the showerhead.

9. Tighten the nut by turning the 'O' key clockwise.
10. Refit the controls in reverse order.

Note! When refitting the bearing, make sure that the cutouts are aligned with the control assembly.

11. Make sure the shower operates correctly. Refer to section: '**Commissioning**'.

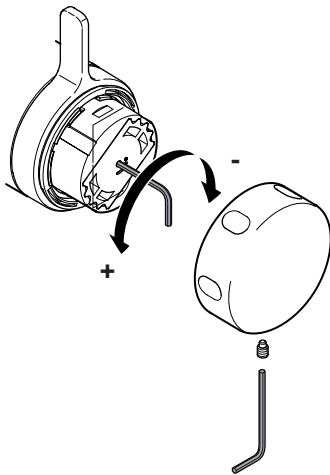
COMMISSIONING

Maximum Temperature Setting

Before using the shower the maximum temperature must be checked to make sure that it is at a safe level. It has been preset to approximately 41°C at the factory but due to variations in site conditions the maximum temperature may need adjustment.

Note! Make sure that the hot water temperature is at least 55°C and that there is sufficient supply. For Type 2 installations the maximum blend temperature is determined by the application, refer to the TMV2 Requirements Manual.

1. Turn on the mixer to the maximum temperature and maximum flow (i.e. fully anticlockwise) and allow the temperature to stabilise.
If the temperature is too hot or too cold adjust as follows:
2. Loosen the temperature control knob grub screw with the 2.5 mm hexagon key (supplied) and pull off the temperature control knob.
3. Insert the 2.5 mm hexagon key into the centre of the green hub and engage with the hidden temperature adjusting screw.
4. Turn the hexagon key until the required maximum showering temperature is obtained. Turn anticlockwise to increase or clockwise to decrease the temperature (¼ turn = approximately 1°C).

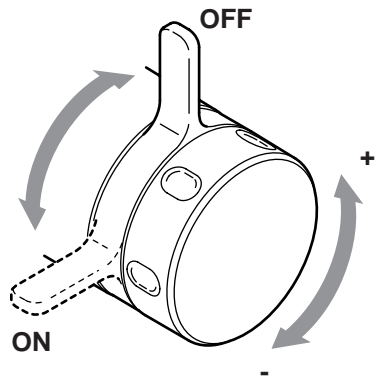


5. Once the desired maximum blend temperature has been achieved, turn off the shower.

6. Refit and secure the temperature control knob.
7. Check that the showering temperature is correct. If the correct temperature setting cannot be achieved, refer to section: 'Fault Diagnosis'.

OPERATION

Turn the Flow Control Lever **anticlockwise** to the preset maximum flow.



Turn the Temperature Control Knob **clockwise** to decrease the temperature and **anticlockwise** to the preset maximum temperature.

USER MAINTENANCE

If you require a Mira trained service engineer or agent, refer to section: '**Customer Services**'.

Fault Diagnosis

Symptom:

- Only hot or cold water from the mixer outlet.
- Outlet temperature too hot / too cold.

Cause Rectification:

- Inlets reversed (*hot supply to cold supply*). Refer to section: '**Reversed Inlet Supplies**'.
- No hot or cold water reaching mixer.
- Check the filters for any blockage.
- Installation conditions outside operating parameters, refer to sections: '**Specifications**' and '**Commissioning**'.
- If the temperature is too cold and you have a combination type boiler it may not be producing sufficiently hot water at desired flow rate (refer to '**Specifications**'). Fit flow regulator (supplied) to shower valve outlet. For more information contact Mira Showers or visit the website.

Symptom:

- Fluctuating or reduced flow rate.

Cause Rectification:

- Check the showerhead, hose and filters for any blockage.
- Make sure that the maintained inlet pressures are nominally balanced and sufficient, refer to section: '**Specifications**'.
- Make sure that the inlet temperature differentials are sufficient, refer to section: '**Specifications**'.
- Air lock or partial blockage in the pipework.
- Flow regulator fitted incorrectly.

Symptom:

- Water leaking from showerhead.

Cause Rectification:

- Normal for a short period after shut off.
- Check that the pressures are not in excess of the specifications for the product.
- Renew the thermostatic cartridge.

Symptom:

- Noise from mixer valve

Cause Rectification:

- Check that the pressures are not inbalanced or in excess of the specifications for the product.
- Flow control only partially open, if the spray force is excessive fit the flow regulator

Lubricants

Silicone based lubricants must only be used on the rubber seals.

Caution! Oil based or other lubricant types may cause rapid deterioration of seals.

Cleaning

The chrome plated parts should be cleaned using a mild washing up detergent or soap solution, rinsed and then wiped dry with a soft cloth.

Warning! Many household cleaners contain abrasive and chemical substances, and should not be used for cleaning plated or plastic fittings.

Do not use descalents on this product.

In-service Tests

The principal means for determining the continuing satisfactory performance of the mixing valve is the in-service test, refer to the TMV2 Requirements Manual.

Frequency of In-service Tests - Commercial (non-domestic installations)

Check for correct blend setting every 6 months.

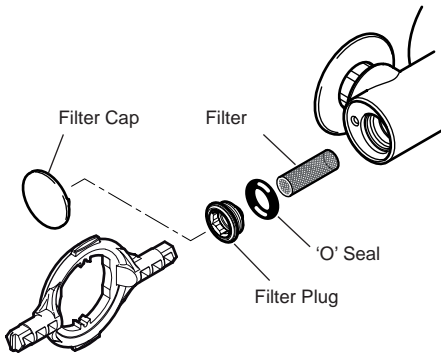
Inlet Filters

The inlet filters should be checked and cleaned as necessary every 12 months.

Note! The inlet filters must not be removed except for cleaning. If the mixing valve is operated without the inlet filters fitted, the warranty on the product will be void.

Exposed Models

1. Isolate the hot and cold water supplies and operate the flow control lever to drain any residual water.
2. Carefully remove the filter caps and unscrew the filter plugs with the 'O key' (supplied) or a 12 mm hexagonal wrench. Remove the filters.

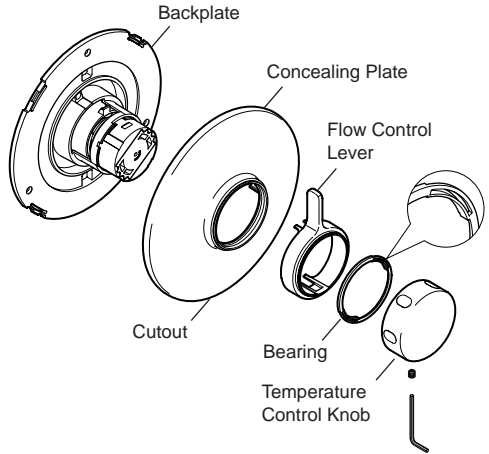


3. Clean the filters under a jet of water to remove any lodged particles.
4. Refit the filters and tighten the filter plugs.
Note! Make sure that the 'O' seal is fitted correctly and undamaged.
5. Turn on the hot and cold water supplies and check for leaks.
6. Refit the filter caps.

Built-in Models

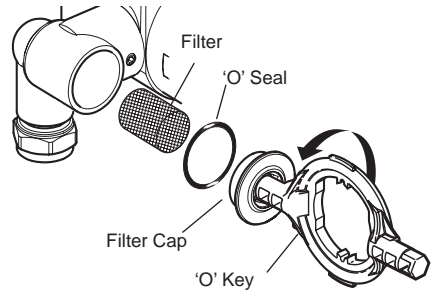
1. Isolate the hot and cold water supplies and operate the flow control lever to drain any residual water.
2. Loosen the grub screw to remove the temperature control knob. Then remove the flow control lever.
3. Carefully unclip the concealing plate from the backplate.

Note! Use a suitable screwdriver in the cutout to assist separation.



4. Unscrew the two shroud screws and remove the backplate from the mixer.
5. Unscrew the filter plugs with the 'O key' (supplied) or a 12 mm hexagonal wrench and remove the filters.

Note! Use pliers to remove the filters carefully.

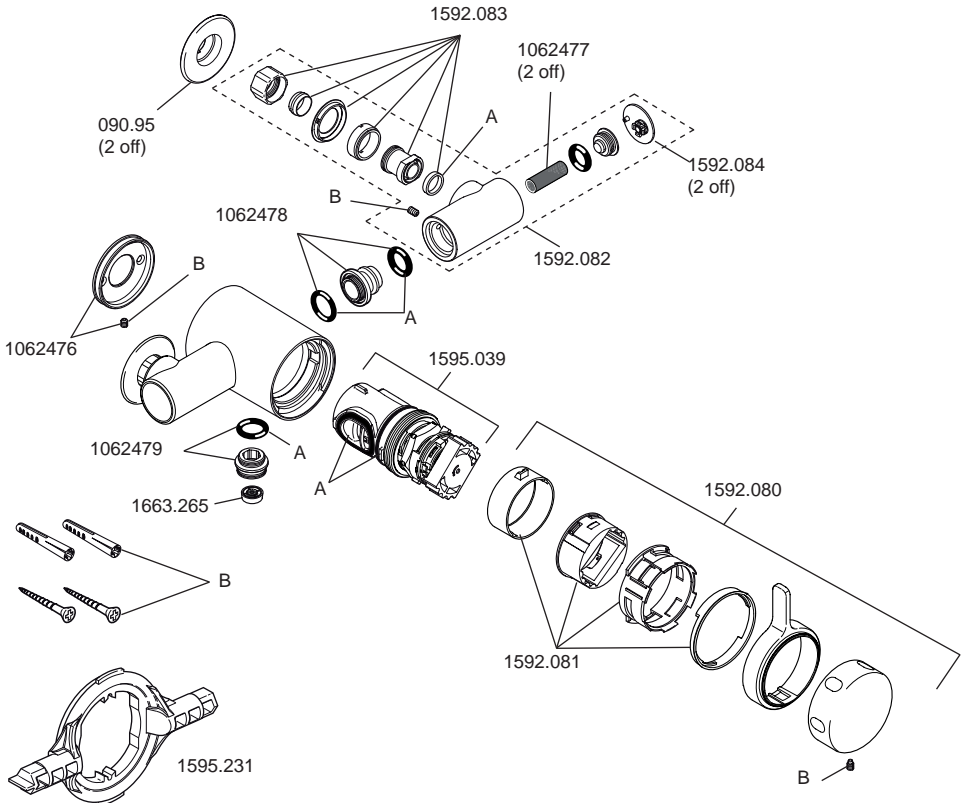


6. Clean both filters under a jet of water to remove any lodged particles.
7. Refit the filters and tighten the filter caps.
Note! Make sure that the seal is fitted correctly and undamaged.
8. Turn on the hot and cold water supplies and check for leaks.
9. Refit the controls in reverse order.
Note! When refitting the bearing, make sure that the cutouts are aligned with the control assembly.

SPARE PARTS

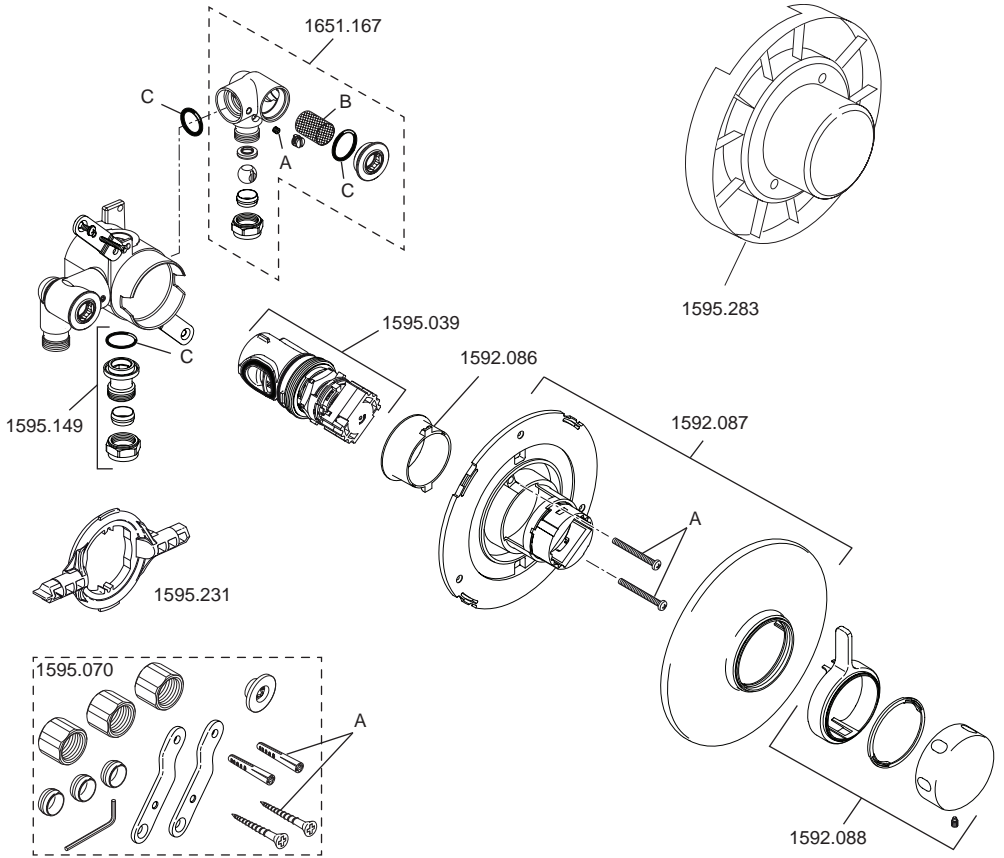
Exposed Thermostatic Mixer

090.95	Pipe concealing plate (x 2)
1062476	Backplate
1062477	Filter Pack (x 2)
1062478	Elbow Connector Pack
1062479	Outlet Connector Pack
1592.080	Handle Pack
1592.081	Handle Adaptor Pack
1592.082	Elbow Assembly
1592.083	Adjustable Inlet
1592.084	Filter Cap (x 2)
1592.085	Seal Pack (identified 'A')
1595.039	Cartridge Assembly
1595.067	Screw Pack (identified 'B')
1595.231	'O' Key
1663.265	Flow Regulator Pack



Built-in Thermostatic Mixer

- 1592.086 Flow Lever Adaptor Pack
- 1592.087 Concealing Plate Assembly
- 1592.088 Handle Pack
- 1592.231 'O' Key
- 1595.039 Cartridge Assembly
- 1595.067 Screw Pack (identified 'A')
- 1595.070 Component Pack
- 1595.149 Outlet Connector Pack
- 1595.283 Building-in Shroud
- 1609.046 Filter Pack x 2 (identified 'B')
- 1651.138 Seal Pack (identified 'C')
- 1651.167 Elbow Assembly (pair)



CUSTOMER SERVICE

Guarantee

Your product has the benefit of our manufacturer's guarantee which starts from the date of purchase.

To activate this guarantee, please return your completed registration card, visit our website or free phone 0800 0731248 within 30 days of purchase (UK only).

Within the guarantee period we will resolve defects in materials or workmanship, free of charge, by repairing or replacing parts or product as we may choose.

This guarantee is in addition to your statutory rights and is subject to the following conditions:

- The guarantee applies solely to the original installation under normal use and to the original purchaser only. The product must be installed and maintained in accordance with the instructions given in this user guide.
- Servicing must only be undertaken by us or our appointed representative. **Note!** if a service visit is required the product must be fully installed and connected to services.
- Repair under this guarantee does not extend the original expiry date. The guarantee on any replacement parts or product ends at the original expiry date.
- For shower fittings or consumable items we reserve the right to supply replacement parts only.

The guarantee does not cover:

- Call out charges for non product faults (such as damage or performance issues arising from incorrect installation, improper use, inappropriate cleaning, lack of maintenance, build up of limescale, frost damage, corrosion, system debris or blocked filters) or where no fault has been found with the product.
- Water or electrical supply, waste and isolation issues.
- Compensation for loss of use of the product or consequential loss of any kind.
- Damage or defects caused if the product is repaired or modified by persons not authorised by us or our appointed representative.
- Routine maintenance or replacement parts to comply with the requirements of the TMV 2 or TMV 3 healthcare schemes.
- Accidental or wilful damage.
- Products purchased ex-showroom display.

What to do if something goes wrong

If your product does not work correctly refer to this manual for fault diagnosis and check that it is installed and commissioned in accordance with our instructions.

If this does not resolve the issue, contact us for help and advice.



Helpdesk Service - Ring our Customer Services Team for product advice, to purchase spare parts or accessories or to set up service visit. You can contact us via phone or e-mail, details below. Please provide your model name, power rating (if applicable) and date of purchase.



Mira Showers Website (www.mirashowers.co.uk)

Visit our website to register your guarantee, download user guides, diagnose faults, purchase our full range of accessories and popular spares, or request a service visit.



Spares and Accessories - We hold the largest stocks of genuine Mira spares and accessories. Contact us for a price or visit our website to purchase items from our accessory range and popular spares.



Service/Repairs - No one knows our products better than our nationwide team of Service Technicians. We can carry out service or repair work to your product both during and after the guarantee period. Ask about our fixed price service repairs.

To Contact Us: UK



0844 571 5000



Fax: 01242 282595



E-mail: Visit www.mirashowers.co.uk/contactus



Mira Customer Services Dept, Cromwell Road, Cheltenham, Gloucestershire, GL52 5EP

To Contact Us: Eire Only



01 531 9337



E-mail: CustomerServiceEire@mirashowers.com

Mira is a registered trade mark of Kohler Mira Limited.

The company reserves the right to alter product specifications without notice.



mira
SHOWERS