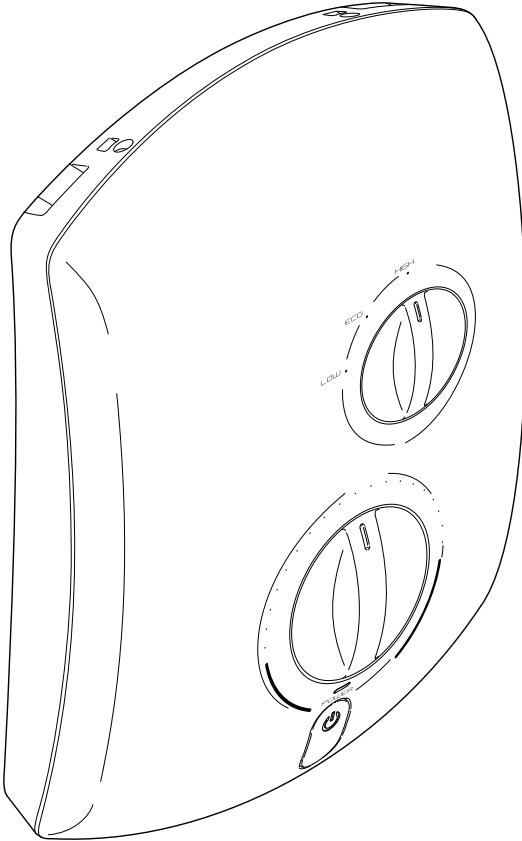


Mira Jump

**mira**  
Jump



MIRA JUMP

ELECTRIC SHOWER

Installation and User Guide

These instructions are to be left with the user

# CONTENTS

<b>Introduction</b> .....	<b>3</b>
Guarantee .....	3
Recommended Usage .....	3
Patents .....	3
<b>Important Safety Information</b> .....	<b>4</b>
<b>Pack Contents</b> .....	<b>7</b>
<b>Specifications</b> .....	<b>8</b>
Dimensions.....	8
Wiring Diagram.....	9
Plumbing .....	10
Electrical.....	10
Standards and Approvals .....	10
Flow Rate Graph .....	10
<b>Installation Requirements</b> .....	<b>11</b>
Plumbing .....	11
Electrical.....	13
<b>Installation</b> .....	<b>14</b>
Replacing a Shower .....	14
New Installation.....	15
Connecting Electricity and Water Supplies .....	16
<b>Commissioning</b> .....	<b>18</b>
<b>Operation</b> .....	<b>19</b>
<b>Fault Diagnosis</b> .....	<b>22</b>
<b>Maintenance</b> .....	<b>26</b>
<b>Accessories</b> .....	<b>27</b>
<b>Spare Parts</b> .....	<b>28</b>
<b>Notes</b> .....	<b>30</b>
<b>Customer Service</b> .....	<b>Back Cover</b>

If you experience any difficulty with the installation or operation of your new shower control, then please refer to '**Fault Diagnosis**', before contacting Mira Showers. Our telephone and fax numbers can be found on the back cover of this guide.

# INTRODUCTION

Thank you for purchasing a quality Mira Jump Electric Shower. To enjoy the full potential of your new shower, please take time to read this guide thoroughly, and keep it handy for future reference.

Mira Jump electric showers have separate controls for heater selection and for temperature/flow adjustment. A unique flow regulator stabilises any temperature changes caused by water pressure fluctuations, which can result from taps being turned on or off or toilets being flushed.

Products covered by this guide:

**Mira Jump 8.5** A 8.5kW 240V ac (7.8kW 230V ac). Available in a white/chrome finish.

**Mira Jump 9.5** A 9.5kW 240V ac (8.7kW 230V ac). Available in a white/chrome finish.

**Mira Jump 10.8** A 10.8kW 240V ac (9.9kW 230V ac). Available in a white/chrome finish.

## Guarantee

For **domestic installations**, Mira Showers guarantee the Mira Jump against any defect in materials or workmanship for a period of **2 years** from the date of purchase (shower fittings for one year).

For **non-domestic installations**, Mira Showers guarantee the Mira Jump against any defect in materials or workmanship for a period of **1 years** from the date of purchase.

For Terms and Conditions refer to the back cover of this guide.

## Recommended Usage

Recommended Usage	
Domestic	✓
Light Commercial	✓
Heavy Commercial	✗
Healthcare	✗

## Patents

<b>Patent Applications</b>	GB: 2 427 460 Ireland: 2006/0462
----------------------------	-------------------------------------

# IMPORTANT SAFETY INFORMATION

Installation must be carried out in accordance with these instructions, and must be conducted by designated, qualified and competent personnel.

If you require a thermostatic shower Mira produce a range which also limit the maximum temperature, for more information our contact details can be found on the back cover of this guide.

## WARNING!

Follow all warnings, cautions and instructions contained in this guide, and on or inside the shower

- 1. This shower can deliver scalding temperatures if not operated, installed or maintained in accordance with the instructions, warnings and cautions contained in this guide and on or inside the appliance.**
2. Products manufactured by us are safe and risk-free, provided that they are installed, used and maintained in good working order, in accordance with our instructions and recommendations.
3. This product is suitable for installation within Zone 1 and is rated IP X4.
4. Isolate the electrical and water supplies before commencing installation. The electricity must be turned off at the mains and the appropriate circuit fuse removed, if applicable.
5. Mains connections are exposed when the cover is removed.
6. Refer to the wiring diagram before making any electrical connections.
7. Make sure all electrical connections are tight, to prevent overheating.
8. Make sure that any pipework that could become frozen is properly insulated. The shower unit must not be fitted where it may be exposed to freezing conditions. The water supplies to this product must be isolated if the product is not to be used for a long period of time. If the product or pipework is at risk of freezing during this period they should also be drained of water.
9. **DO NOT** switch on if there is a possibility that the water in the shower is frozen.
10. Having completed the installation, make sure that the user is familiar with the operation of the appliance.
11. **DO NOT** install the product in a position in which service access is restricted.
12. **DO NOT** commission this appliance if water leaks from the unit or the heater tank pressure relief valve. If water leaks from the pressure relief valve, maintenance will be required before the shower can be safely used.
13. **DO NOT** fit any form of outlet flow control as the outlet acts as a vent for the tank body. Only Mira recommended outlet fittings should be used.
14. This product is not suitable for areas with high humidity (i.e. steam rooms). Please consult your installer.

**15. THIS APPLIANCE MUST BE EARTHED. MAKE SURE SUPPLEMENTARY BONDING COMPLIES WITH THE 'REQUIREMENTS FOR ELECTRICAL INSTALLATIONS'.**

In accordance with the current edition of 'The Plugs and Sockets etc. (Safety) Regulations in force at the time of installation, this shower is intended to be permanently connected to the fixed electrical wiring of the mains system.

**16.** This appliance must be provided with means for disconnection that is incorporated into the fixed wiring in accordance with the relevant local wiring regulations.

**CAUTION!**

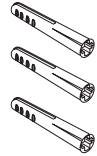
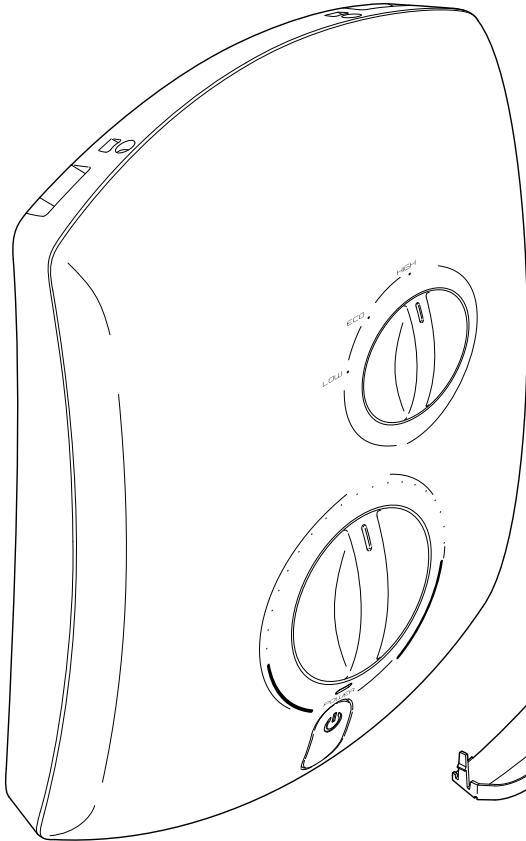
1. Read all of these instructions and retain this guide for later use.
2. The electrical installation must comply with 'BS 7671 - Requirements for Electrical Installations', commonly referred to as the IEE Wiring Regulations - Part 7, or any particular regulations and practices, specified by the local electricity supply company.
3. The plumbing installation must comply with the requirements of UK Water Regulations/Bye-laws (Scotland), Building Regulations or any particular regulations and practices, specified by the local water company or water undertakers.
4. Make sure that you fully understand how to operate this shower and make sure that it is properly maintained in accordance with the instructions given in this manual.
5. Anyone who may have difficulty understanding or operating the controls of any shower should be attended whilst showering. Particular consideration should be given to:
  - **5.1** The young.
  - **5.2** The elderly.
  - **5.3** The infirm.
  - **5.4** The disabled.
  - **5.5** Anyone who suffers from a medical condition that can result in temporary incapacity (e.g. epilepsy or blackouts).
  - **5.6** Anyone inexperienced in the correct operation of the controls.
6. This appliance is not intended for use by persons (including children) with reduced physical, sensory or mental capabilities, or lack of experience and knowledge, unless they have been given supervision or instruction concerning the use of the appliance by a person responsible for their safety.
7. Children should be supervised to make sure that they do not play with the appliance.
8. Sunburn or skin conditions can increase your sensitivity to hot water. Make sure that you set the shower to a cooler temperature.

9. If any of the following conditions occur, isolate the electricity and water supplies and refer to 'To contact us', on the back page of this guide.
  - **9.1** If the cover is not correctly fitted and water has entered the appliance case.
  - **9.2** If the case is damaged.
  - **9.3** If the appliance begins to make an odd noise, smell or smoke.
  - **9.4** If the appliance shows signs of a distinct change in performance, indicating a need for maintenance.
  - **9.5** **DO NOT** operate this appliance if water leaks from this appliance.
10. Switch off the appliance at electrical isolating switch when not in use. This is for safety and is recommended with all electrical appliances.
11. **DO NOT** position the showerhead to spray water directly on to the appliance. e.g. when cleaning shower control.
12. When this appliance has reached the end of its serviceable life, it should be disposed of in a safe manner, in accordance with current local authority recycling, or waste disposal policy.
13. Make sure that this guide is left with the user.

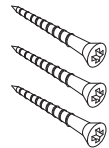
# PACK CONTENTS

Tick the appropriate boxes to familiarise yourself with the part names and to confirm that the parts are included.

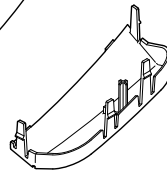
## Mira Jump 8.5kW, 9.5kW or 10.8kW Electric Shower



3 x Wall Plugs



3 x Fixing Screws



1 x Blank Insert

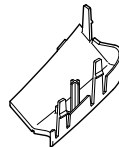
1 x Mira Jump Electric Shower

### Documentation

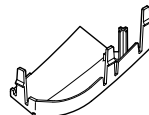
1 x Installation and User Guide

1 x Installation Template

1 x Guarantee Brochure

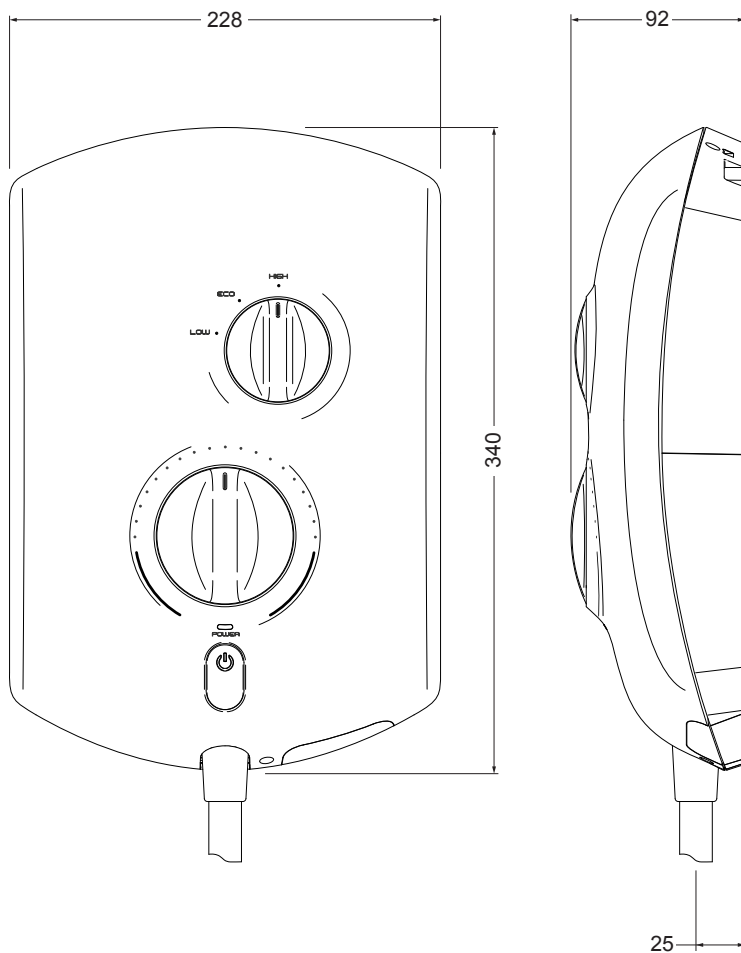


1 x Insert RH  
1 x Insert LH



# SPECIFICATIONS

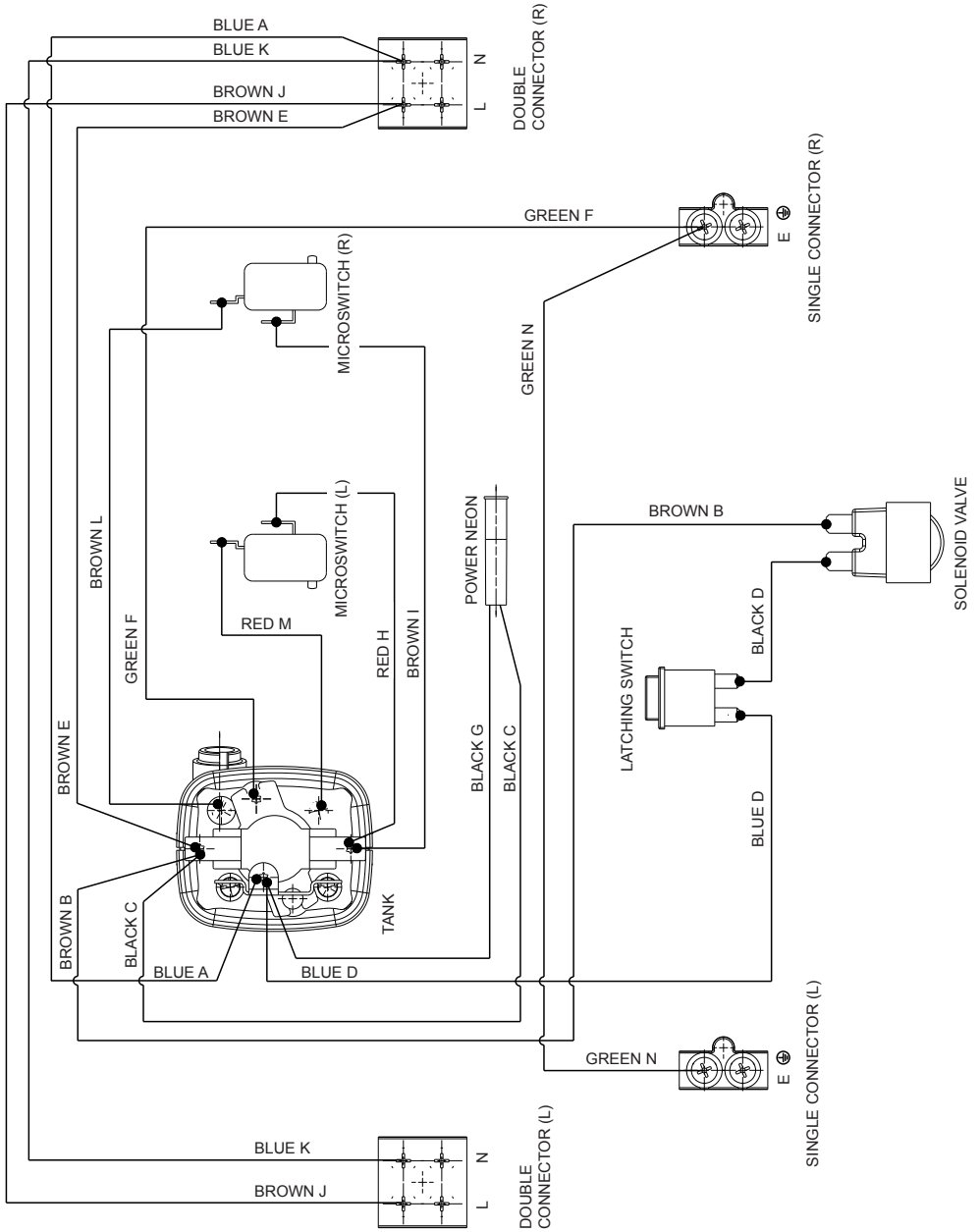
## Dimensions



All dimensions are nominal and in millimetres.



# Wiring Diagram



## Plumbing

1. Minimum maintained inlet pressure for satisfactory operation:  
8.5kW and 9.5kW: 70kPa (0.7 bar).  
10.8kW: 100kPa (1.0 bar).
2. Maximum static inlet pressure: 1000kPa (10 bar).
3. Minimum static pressure to keep the flow valve closed: 50kPa (0.5 bar).

## Electrical

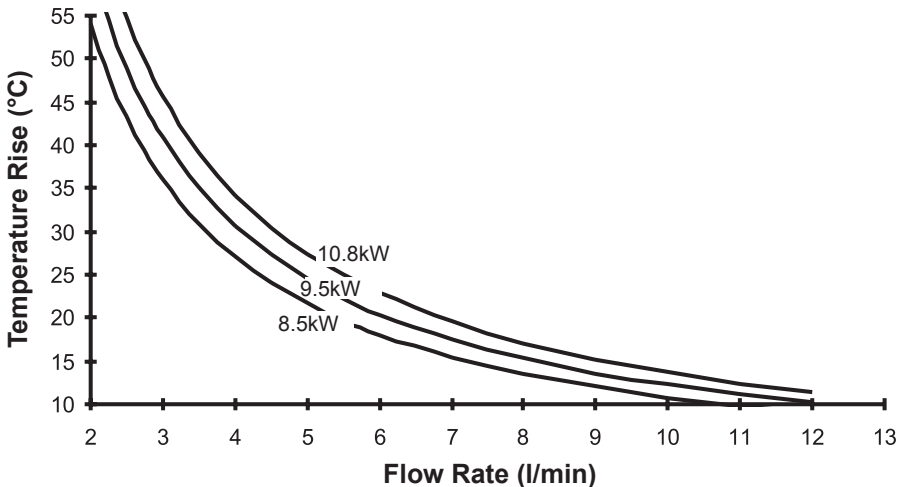
1. The 8.5kW and 9.5kW appliance requires a 40Amp fuse.  
The 10.8kW requires a 45 Amp fuse.
2. The terminal blocks will accept cable up to 16mm<sup>2</sup>.

## Standards and Approvals

1. This Mira Jump shower complies with all of the relevant directives for CE marking.

## Flow Rate Graph

1. These curves are for the specified outputs at 240V.
2. All appliance heating elements have a manufacturing tolerance. Flow rates may be above or below those shown on the flow rate graph.
3. The left-hand axis shows temperature rise.  
Temperature rise = (Showering temperature) - (Supply water temperature)



# INSTALLATION REQUIREMENTS

## Plumbing

1. The Mira Jump 8.5kW and 9.5kW electric showers are designed to operate with a **minimum maintained inlet pressure of 70kPa (0.7 bar)** up to a **maximum static inlet pressure of 1000kPa (10 bar)**.

The Mira Jump 10.8kW electric shower is designed to operate with a **minimum maintained inlet pressure of 100kPa (1.0 bar)** up to a **maximum static inlet pressure of 1000kPa (10 bar)**.

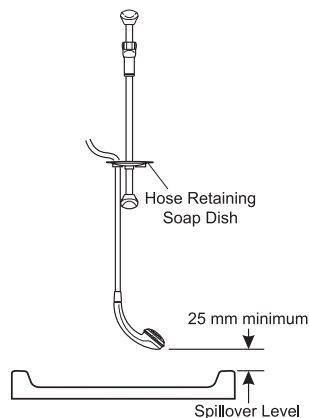
2. The appliance is normally connected to the cold water mains-fed supply. However, the water supply can be taken from a cold water storage cistern, provided there is a minimum maintained inlet head of water of 7 metres for the 8.5kW, 9.5kW and 10 metres for the 10.8kW (the vertical distance from the base of the cold water storage cistern to the showerhead). To reduce pressure losses and fluctuations, the cistern-fed water supply **must** be independent from other supply draw-offs, and should avoid long horizontal pipe runs and use swept bends rather than 90° elbows. For further advice please refer to the back cover of this guide for Mira Jump Showers contact telephone and fax numbers.
3. If pipework and/or electrical cables enter the shower from the rear through a hole in the wall, provision must be made to prevent water ingress back into the wall structure.
4. The appliance is suitable for installation within the shower area and is fitted with a pressure relief valve. It **must** be positioned over a water catchment area with the controls at a convenient height for the user. The shower fitting should be positioned so that it discharges down the centre line of the bath, or across the opening of a shower cubicle, and must be directed away from the appliance.
5. The inlet connector is designed to accept plumbing supplies from below, from the side or from the rear of the appliance. The water supply can be fed with 15mm pipe or 10mm microbore pipe, suitably adapted into the inlet connector assembly. If 10mm microbore is used, then an allowance for increased pressure loss **must** be made to ensure that the minimum maintained inlet pressure is achieved.
6. Do not fit the appliance to the wall and tile up to the case. The appliance **must** be fitted to a tiled or sealed finished surface, otherwise, difficulty may be encountered when fitting the cover, and subsequent operation of the unit could be impaired (small pillars moulded on to the back of the case allow air circulation).
7. Use only the inlet connector assembly supplied with the appliance. Do not use any other types of fitting.
8. Refrain from applying excessive force when making any connections. Always provide mechanical support when making the plumbing connections.

9. This appliance is not designed to have plumbing connected directly to the rear. For a supply connected behind the shower, add an elbow to the supply pipe and connect to the inlet as a rising or side supply.
10. **Do not install the appliance in a position where it may become frozen.** The shower unit **must** not be fitted where it may be exposed to freezing conditions. The shower unit **must** not be used if you suspect it may be frozen.
11. We recommend that a non-restrictive (free-flowing) isolating valve is fitted in the cold water supply pipe to allow the complete maintenance of the appliance. Do not use a valve with a loose washer plate (jumper) as this can lead to a build up of static pressure.
12. To avoid damage to the case when soldered fittings are used, pre-solder the pipework and fittings before connecting them to the inlet stub.
13. To ensure the case and other components are not put under strain during installation always provide mechanical support when making plumbing connections. Upon completion of the installation ensure connections and back case are not under any stress due to misaligned pipework or electrical cables.
14. Supply pipework **must** be flushed to clear debris before connecting the appliance.
15. The appliance is fitted with a 1/2" BSP male outlet thread, to accept a Mira Jump shower hose.
16. When installed in very hard water areas (above 200ppm temporary hardness) your installer may advise the installation of a water treatment device, to reduce the effects of limescale formation. Appliance malfunction due to excessive limescale formation is not covered by the manufacturer's guarantee. Your local water company will be able to advise on the hardness of water in your area.
17. A hose retaining soap dish is supplied to prevent the showerhead from dropping below the spillover level of the bath or shower, which could lead to contamination from back-siphonage.

The supplied hose retaining soap dish should meet the majority of user requirements for shower installations with flexible outlet fittings. However, there will be occasions when the hose retaining soap dish will not provide a suitable solution. In these instances an outlet double checkvalve **must** be fitted, this will increase the required supply pressure typically by 10kPa (0.1 bar).

Double checkvalves, fitted in the inlet supply to the appliance, cause a pressure build-up, which could exceed the maximum static inlet pressure for the appliance.

18. Avoid layouts where the shower hose will be sharply kinked. This may reduce the life of the hose.

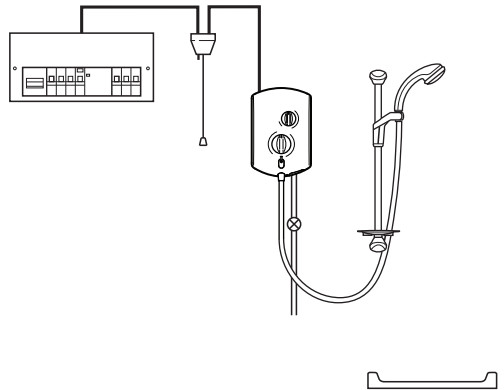


## Electrical

1. In a domestic installation, the rating of the electricity supply company fuse and the consumer unit **must** be adequate for the additional demand. This is a high-power appliance, and it is essential to contact your electricity supply company to ensure that the supply is adequate for the appliance. Voltage drop due to local heavy demand will reduce the performance of the shower.
2. The appliance **must** be earthed by connecting the supply-cable earth conductor to the earth terminal.

Supplementary bonding: Within the bathroom or shower room, all accessible conductive parts of electrical equipment and extraneous conductive parts that are likely to introduce earth potential, **must** be electrically bonded to earth using a minimum cable size of 4.0 mm<sup>2</sup> if the cable is not mechanically protected (2.5 mm<sup>2</sup> if mechanically protected).

3. The minimum cable size (cross-sectional area) **must** conform to BS 7671.
4. To obtain full advantage of the power provided by this unit, use the shortest possible cable route from the consumer unit to the shower.
5. In accordance with BS7671 a 30mA Residual Current Device (RCD) **must** be included in the electrical circuit. This may be part of the consumer unit or a separate unit.
6. A separate, permanently connected supply must be taken from the consumer unit to the appliance through a double-pole switch, which has at least 3 mm contact separation. The switch can be a ceiling mounted pull-cord type within the shower room or a wall mounted switch fitted in the applicable zone area.



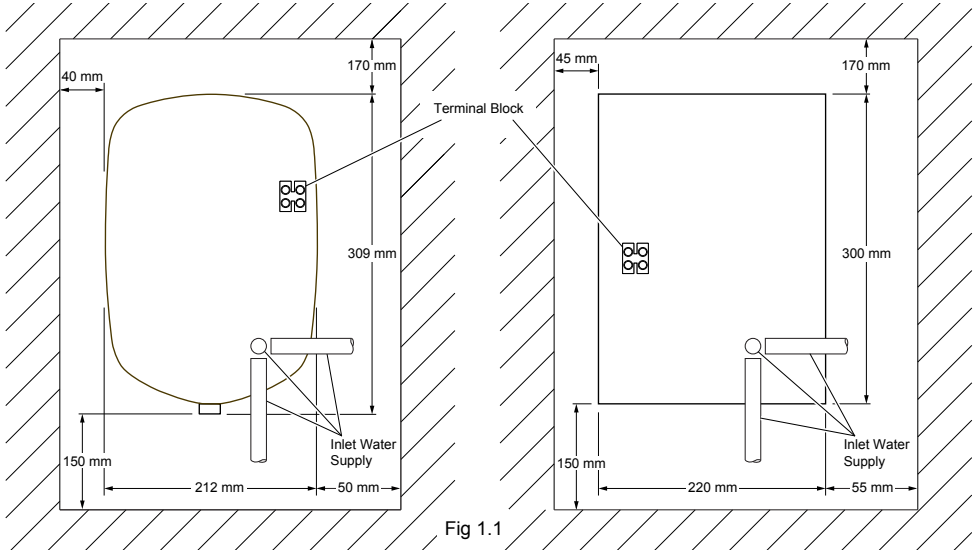
Plumbing and Electrical Schematic

7. Unless otherwise stated, electrical equipment such as extractor fans, pumps must not be connected via this product.
8. **DO NOT** twist the individual cable cores of the live and neutral conductors, as this will prevent them from entering the terminal block.
9. **DO NOT** exert strain on the terminal block. Make sure that the electrical connections are tightly screwed down.
10. **DO NOT** turn-on the electrical supply until the plumbing has been completed.

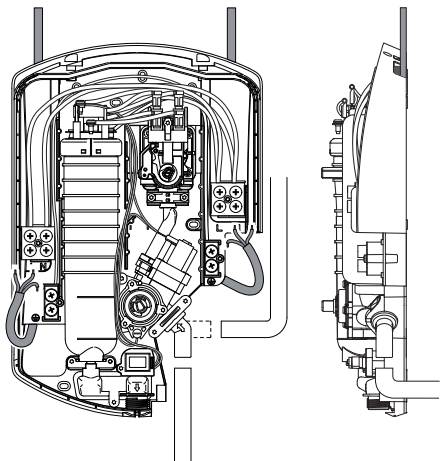
# INSTALLATION

## Replacing a Shower

1. Check the existing installation is positioned according to the dimensions specified in the diagram (Fig 1.1). The Mira Jump shower can replace showers of the approximate shape and size of those shown.



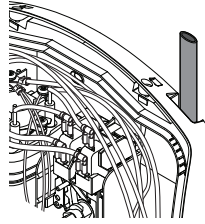
2. Isolate the electrical and water supplies before commencing installation. The electricity must be turned off at the mains and the appropriate circuit fuse removed, if applicable.
3. Disconnect and remove the old shower from the wall.
4. Remove the cover and service tunnel from the Mira Jump shower. Keep the retaining screws (x3) for later use.
5. The inlet water supply and electric supply cable can enter from the directions shown. **Caution!** Only use one set of Live, Neutral and  $\ominus$  (Earth) electrical connections within the shower. Terminal Blocks are provided on both the left and right for convenience when replacing a shower.





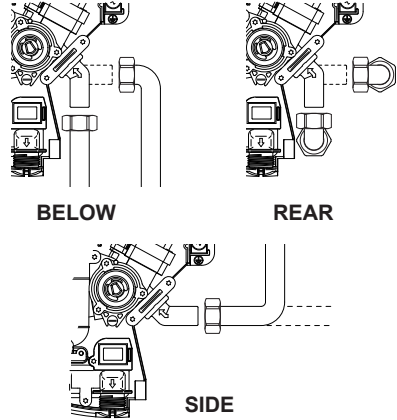
- Remove the installation template and drill the fixing holes. Insert the supplied wall plugs.

**Caution!** Do not drill into buried pipes or cables.



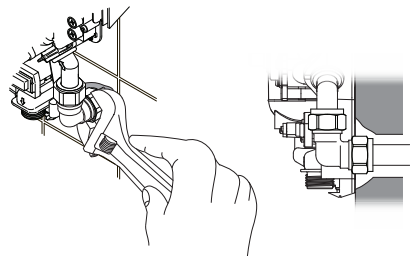
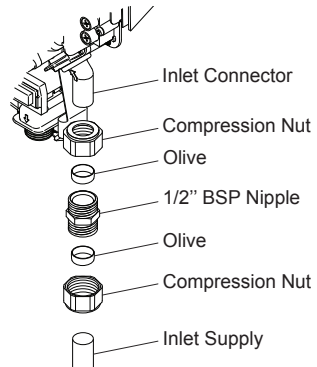
- Remove the cover and service tunnel from the Mira Jump shower. Keep the retaining screws (x3) for later use.
- The case has thinned sections that can be removed to allow entry of the electrical cables. Remove either of the top thinned sections of the case for a falling supply.
- Adjust the shower inlet for water supply pipe position if required.

Continue to “**Connecting Electricity and Water Supplies**” to complete the installation



## Connecting Electricity and Water Supplies

- Flush the inlet water pipe through to clear any debris.
- Connect the inlet supply pipe to the shower inlet using a 1/2" BSP nipple with compression nuts and olives (as shown) or a push-fit connector.
- Fix the shower to the wall with the supplied screws.
- If the water inlet is rear fed, make sure the elbow fitting can be removed for filter maintenance post installation. (see section “**Maintenance - Cleaning the Inlet Filter**”.)





5. Strip a short section of the electrical cables if required. Fit an earth sleeve to the earth wire if required.

**Caution!** Make sure the bare wire ends are completely dry before connecting to the terminal block.

6. Loosen the screws in the terminal block and insert the bare wires into the clamps:

**L** (Live) = Brown Wire

**⊕** (Earth) = Green Sleeved Wire

**N** (Neutral) = Blue Wire

**Note!** Do not twist the cores of the wires or strain the cables to make them reach the terminal block.

7. Tighten the screws in the terminal block so that they securely clamp the bare wires.

8. If necessary, fit an earth bonding clamp to the supply pipe. Make sure the bonding complies with the relevant regulations in force at the time of installation.

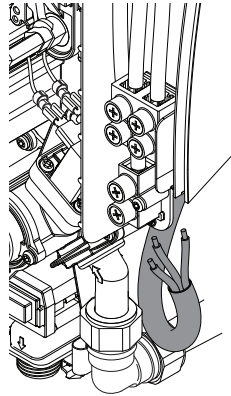
9. Turn on the water supply and check for any leaks.

10. Refit the service tunnel and the required insert. If necessary, cut out the slot marked. (Only required if the inlet water pipe is entering the right hand side of the shower.)

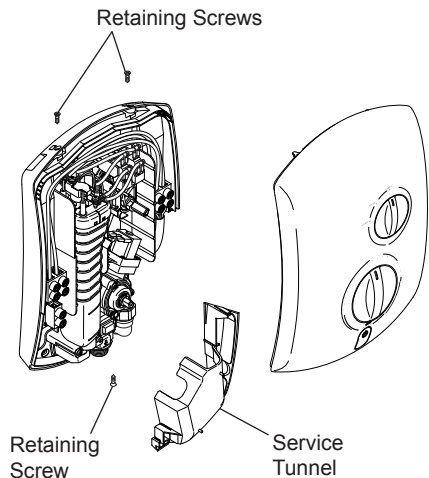
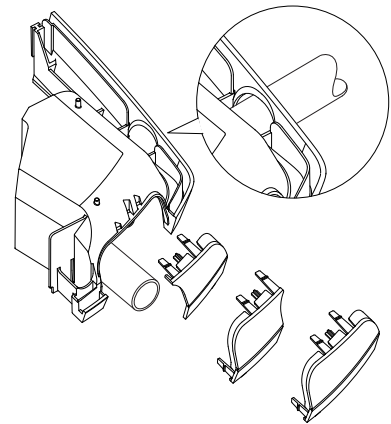
11. Replace the cover making sure it fits properly to the case. Do not trap any wires.

12. Fit the three retaining screws.

13. Install the shower fittings, refer to your **Shower Fittings Installation and User Guide**.



**Caution!**  
Only use one set of Live, Neutral and ⊕ (Earth) connections within the shower.



# COMMISSIONING

**Caution!** If you are unsure how electric showers work, please read the **Operation** section before continuing.

1. Turn the temperature control fully anticlockwise to cold and the heater control to “**LOW**”.
2. Switch on the electrical supply at the double pole switch. The power light will indicate electricity is being supplied to the shower.
3. Turn the shower on by pressing the start/stop button.

Check that water flows freely from the shower within a few seconds. If not, refer to the **Fault Diagnosis** section. The water from the showerhead should be at full force and at a cool temperature.

4. Turn the temperature control slowly clockwise to increase the temperature. The flow will be reduced and the temperature will remain cool (this shows that the flow regulator assembly is operating correctly).
5. Turn the temperature control back anticlockwise to fully cold.

6. Turn the heater control to “**ECO**”. The temperature of the water should rise slightly.

Allow a few seconds for the warm water to reach the showerhead - this shows that the Eco heater setting is operating correctly.

7. Turn the heater control to “**HIGH**”. The temperature of the water will rise further - this shows that the maximum heater setting is operating correctly.

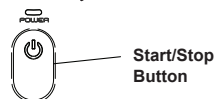
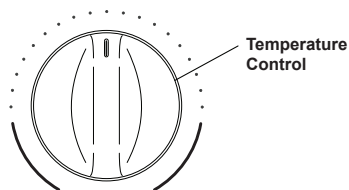
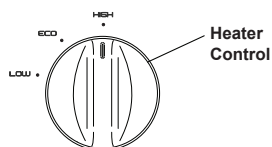
8. Set the shower temperature by rotating the temperature control as necessary. Turn the control clockwise for warmer water and anticlockwise for cooler water. Allow approximately 10 seconds for the shower to fully adjust to the required temperature.

**Note!** It is normal for the flow rate (shower force) to change when the temperature is changed. Most changes will go unnoticed.

9. When the required temperature is reached, press the start/stop button to turn the shower off. Water will continue to flow from the showerhead for a few seconds, as water is cleared from the shower.

10. Switch off the power at the double pole switch. The power light turns off indicating no electricity to the shower.

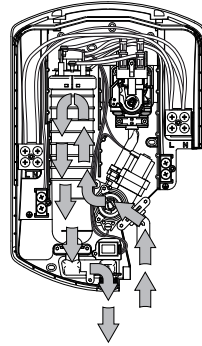
**Note!** A slight hissing sound may be heard from the shower during operation. High mains water pressure and high shower temperatures will affect the tone. This is quite normal in use.



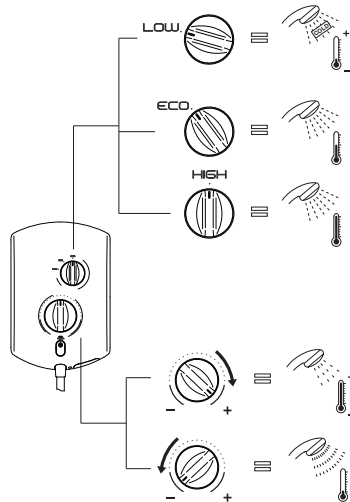
# OPERATION

## How Your Electric Shower Works

Hot water is produced by passing cold water through a heating tank.



The shower has three heater settings.



The warmer the shower, the lower the flow rate and vice versa.

## What Affects Shower Performance?

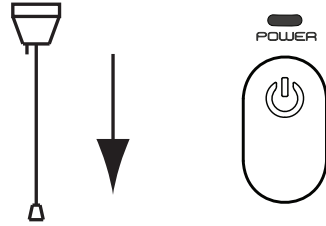
The shower's top priority is to keep the desired water temperature constant. To maintain this temperature, the shower may have to automatically change the rate of water flowing through the appliance. Any of the following conditions can cause the shower to change the flow rate (force of the shower) in order to keep the temperature constant. Most changes are minor and will go unnoticed.

1. Seasonal temperature change. (Affects incoming mains water temperature.)
2. Minor changes in electrical supply voltage.
3. Minor changes of mains water supply pressure.
4. Mains cold water draw off. e.g. Toilet, washbasin, etc...
5. Heat transfer due to position of mains cold water pipe. e.g. Positioned next to hot water pipe, routed through heated area such as loft or airing cupboard.

## Operating Instructions

### Turn the shower on

1. Switch on the electrical supply at the double pole switch. The power light is illuminated.
2. Turn the shower on by pressing the start/stop button.



### Select heater setting

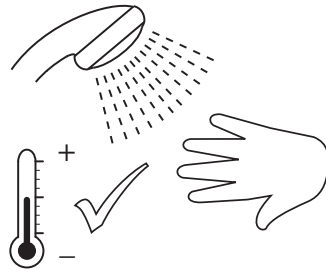
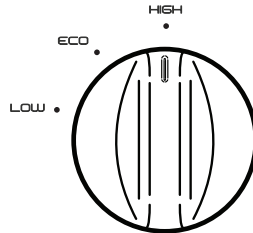
3. Turn the heater control to **High**. Allow 15-20 seconds for warm water to reach the showerhead.

For electrical economy, set the heater control to **Eco**. This setting will provide sufficient power during the summer when the mains water temperature is warmer.

For a cold shower, set the heater control to **Low**.

**Caution!** Care is required when adjusting flow or temperature, make sure that the temperature has stabilised.

Always check the water temperature before entering the shower.



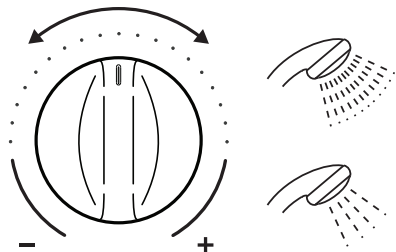
### Adjust the showering temperature

4. Adjust the shower temperature by turning the temperature control as necessary. Turn clockwise for hotter water and anti-clockwise for cooler water.

Allow 10-15 seconds for the shower to fully adjust to the required temperature.

**Note!** It is normal for the flow rate (shower force) to change when the temperature is changed.

Rapid/Excessive movement of the flow and or temperature control levers may result in momentary unstable blend temperatures.



### To turn the shower off

5. Turn the shower off by pressing the power button.

**Note!** A small amount of water may continue to flow from the showerhead for a few moments.

6. Switch off the electrical supply at the double pole switch. The power light turns off.



# FAULT DIAGNOSIS

The troubleshooting information tabled below gives you details on probable causes and remedies should difficulties be encountered whilst the shower is in operation.

**Warning!** There are no user serviceable components beneath the cover of the appliance.

**ONLY A COMPETENT TRADESPERSON SHOULD REMOVE THE FRONT COVER!**

Malfunction	Probable Cause	Possible Remedy
Appliance fails to operate.	Electrical supply isolated at double pole switch.  Fuse blown or MCB/RCD tripped, indicating possible electrical fault.	Switch on electrical supply via the pull-cord or wall mounted switch.  Renew the fuse or reset the MCB/RCD. If fault persists, contact your installer.
No water or very low flow rate.	The showerhead sprayplate and/or hose is blocked.  Water pressure below minimum required for appliance operation.  Electrical supply isolated at double pole switch.  The fuse is blown or the MCB/RCD has been tripped, indicating a possible electrical fault.	Clean the showerhead sprayplate (see <b>Maintenance</b> ). Check the hose for blockage or damage. Clear blockage where possible or replace the hose.  Make sure incoming mains water stopcock and/or appliance isolating valve is fully turned on.  Switch on electrical supply via the pullcord or wall mounted switch.  Renew the fuse or reset the MCB/RCD. If the fault persists, contact the shower installer.
Shower is too hot during the summer.	The incoming water is warmer in the summer, so the shower heater setting is too high.	Turn the heater control to <b>Eco</b> and adjust the temperature control until the desired temperature is reached.
Shower is too hot.	The showerhead sprayplate is blocked.	Clean the showerhead sprayplate (see <b>Maintenance</b> ).
Turning the temperature control does not affect the water temperature.	The showerhead sprayplate and/or hose is blocked.	Clean the showerhead sprayplate (see <b>Maintenance</b> ). Check the hose for blockage or damage. Clear blockage where possible or replace the hose.

Malfunction	Cause	Remedy
The temperature cycles between hot and cold.	<p>The showerhead sprayplate is blocked.</p> <p>The temperature is set too high. This is causing the thermal switch to turn off the heating element to reduce the water temperature.</p>	<p>Clean the showerhead sprayplate (see <b>Maintenance</b>).</p> <p>Turn the temperature control anti-clockwise to reduce the water temperature.</p>
No hot water or reduced temperature from shower, with the controls in any position.	The water pressure is below the minimum required. This can be due to other outlets (e.g. toilet, garden hose, washing machine, etc.) drawing water while the shower is being used.	Turn off other mains water appliances whilst shower is in use. Make sure incoming mains water stopcock and/or appliance isolating valve is fully turned on. If the fault persists, contact the shower installer.
<b>ALL OF THE FOLLOWING REMEDIES MUST BE PERFORMED BY A COMPETENT TRADESPERSON ONLY!</b>		
No hot water or reduced temperature from shower, with the controls in any position.	<p>Insufficient water supply pressure.</p> <p>Failure of a microswitch or the thermal switch.</p> <p>An internal wiring connection has failed.</p> <p>One of the heater tank elements has failed.</p> <p>Switch assembly diaphragm fault.</p>	<p>Make sure incoming mains water stopcock and/or appliance isolating valve is fully turned on. Check incoming mains water pressure.</p> <p>Check the continuity of the switches, using a suitable continuity measuring device. Replace the switches as necessary.</p> <p>Check the integrity of the internal wiring.</p> <p>Replace the heater tank.</p> <p>Replace switch assembly.</p>
The shower temperature cycles between hot and cold.	The temperature is set too high. This is causing the thermal switch to turn off the heating element to reduce the water temperature.	<p>Turn the temperature control anti-clockwise to reduce the water temperature.</p> <p><b>DO NOT TAMPER</b> with the thermal switch.</p>

(continued)

Malfunction	Cause	Remedy
Turning the temperature control does not affect the water temperature.	<p>The flow regulator assembly is faulty.</p> <p>The showerhead sprayplate is blocked.</p>	<p>Replace.</p> <p>Remove and clean the showerhead sprayplate (see <b>Maintenance</b>). If the fault persists, contact Kohler Mira Customer Services.</p>
No water or very low flow rate.	<p>The showerhead sprayplate and/or hose is blocked.</p> <p>Service tunnel or cover not fitted correctly causing Start/Stop button not to operate.</p> <p>Water pressure below minimum required for appliance operation.</p> <p>The heater tank is excessively scaled.</p> <p>The flow regulator assembly is faulty.</p> <p>The inlet filter is blocked.</p> <p>The fuse is blown or the MCB/RCD has been tripped, indicating a possible electrical fault; for example, heater tank element failure.</p>	<p>Clean the showerhead sprayplate (see <b>Maintenance</b>). Check the hose for blockage or damage. Clear blockage where possible or replace the hose.</p> <p>Check case inserts are cut and fitted correctly. Check services (electrical or plumbing) are not interfering with location of service tunnel or cover.</p> <p>Make sure incoming mains water stopcock and/or appliance isolating valve is fully turned on.</p> <p>Insufficient water supply pressure. Supply pressure <b>must</b> be a minimum of 70kPa (0.7 bar) for 8.5kW &amp; 9.5kW, 100kPa (1.0 bar) for 10.8kW. <b>Note!</b> If other appliances are operating, pressure may drop below the required minimum.</p> <p>Replace.</p> <p>Replace.</p> <p>Clean the inlet filter (see Maintenance).</p> <p>Renew the fuse or reset the MCB/RCD. If the fault persists, contact Kohler Mira Customer Services to help diagnose the fault and replace any parts as necessary.</p>



<b>Malfunction</b>	<b>Cause</b>	<b>Remedy</b>
Water leaks from the bottom of the case near the outlet, and there is no flow from the showerhead.	<p>The pressure relief valve in the tank has been triggered, (the shower has a pressure relief valve assembly that works to reduce the damage if the outlet is blocked or the unit is frozen).</p> <p>Switch assembly diaphragm fault.</p>	<p>Resolve the blocked outlet, and replace the tank assembly.</p> <p>Replace switch assembly.</p>
The water cannot be turned off.	<p>The flow regulator assembly is faulty.</p> <p>Flow valve, solenoid, or Start/Stop switch faulty.</p> <p>The supply pressure is below the minimum requirement, 50kPa (0.5 bar).</p>	<p>Replace.</p> <p>Diagnose and replace necessary parts.</p> <p>Check the static water pressure. Note that the static pressure may fall below minimum requirement when other appliances are drawing water, for example the dishwasher or washing machine.</p>

# MAINTENANCE

## Warning!

We recommend any maintenance work is carried out by a Mira Service Engineer or qualified tradesperson following the instructions provided. Before replacing any parts, make sure that the underlying cause of the malfunction has been resolved. There are no user-serviceable components beneath the cover of the appliance. Only a competent tradesperson should remove the cover.

## Cleaning

Many household and industrial cleaners contain abrasive and chemical substances that can damage the finish of your shower. Only clean the shower and fittings with a mild washing-up detergent or soap solution, and then wipe them dry with a soft cloth.

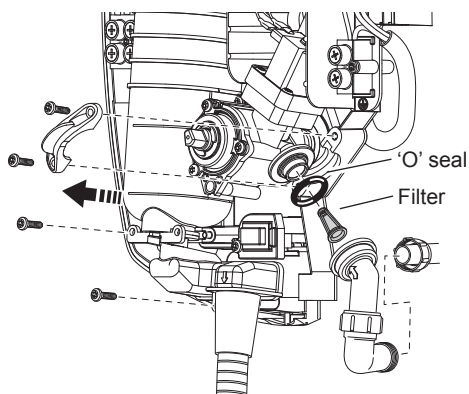
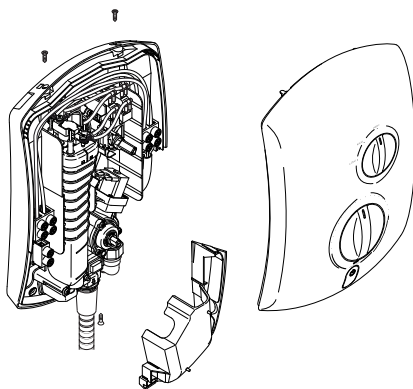
## Showerhead

Poor shower performance and early failure of the appliance can be avoided by regular cleaning of the showerhead and in particular the spray plate holes. Use your thumb or soft cloth to wipe the rubber nozzles. The showerhead must be descaled regularly.

## Cleaning the Inlet Filter

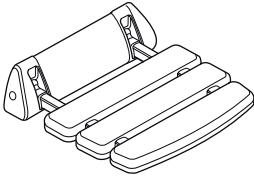
**Warning!** Isolate the electrical (remove the appropriate circuit fuse) and water supply before removing the cover.

1. Remove the three cover retaining screws, the cover and the service tunnel.
2. Remove the screws that hold the inlet clamp bracket in position and remove the clamp bracket.
3. Remove the two screws shown at the base of the tank.
4. Carefully pull the flow valve assembly and the heater tank away from the case. Make sure that you ease the inlet connector off the supply pipe.
5. Remove the inlet connector complete with 'O' seal. Use a suitable tool to withdraw the filter. Clean or renew the filter.
6. Refit the filter, make sure that the filter is correctly orientated and pushed fully home.
7. Refit the components in reverse order.



# ACCESSORIES

Genuine Mira accessories can be purchased direct from Customers Services (our contact details can be found on the back cover of this guide) or from approved stockists or merchants.

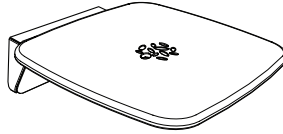


## Shower Seat

**White - 2.1536.128**

**White/Chrome - 2.1536.129**

For use in or out of the showering area. Folds up when not in use. Maximum User Weight - 127 kg (20 stone) **Note!** Must be installed onto a solid wall.

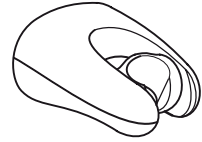


## Premium Shower Seat

**White/Chrome - 2.1731.001**

**Grey/Chrome - 2.1731.002**

Stylish, slim-line and robust shower seat for use in or outside of the shower area. Folds up when not in use. Maximum User Weight - 150 kg (23.5 stone) **Note!** Must be installed onto a solid wall.

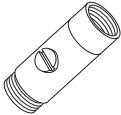


## Logic Showerhead Holder

**White - 2.1605.149**

**White/Chrome - 2.1605.150**

An alternative to the traditional slide bar. Often a useful addition when positioned for the smaller members of the family.



## Double Outlet Check Valve (DCV-H)

**Chrome - 1.0.110.55.1**

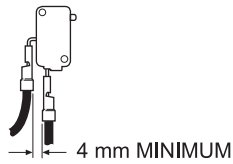
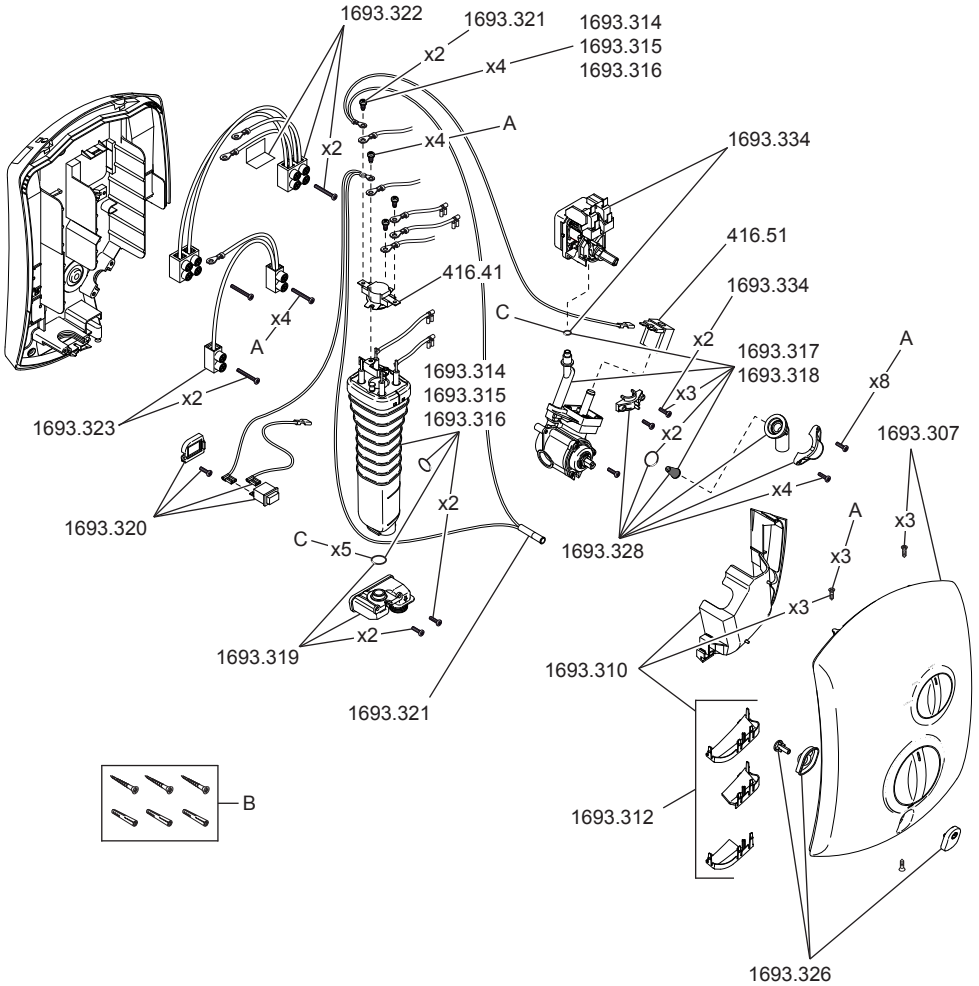
An outlet double check valve, designed to prevent the back flow or back-siphonage of potentially contaminated water, through shower controls which are fitted with a flexible shower hose as part of the outlet shower fitting.

# SPARE PARTS

## Spare Parts List

416.41	Thermal Switch
416.51	Solenoid Coil
439.88	Seal Pack (components identified 'C')
1693.307	Cover Assembly
1693.310	Service Tunnel & Inserts Pack
1693.312	Service Inserts Pack
1693.314	Heater Tank Assembly 8.5kW
1693.315	Heater Tank Assembly 9.5kW
1693.316	Heater Tank Assembly 10.8kW
1693.317	Flow Valve Assembly 8.5kW
1693.318	Flow Valve Assembly 9.5/10.8kW
1693.319	Outlet Assembly
1693.320	Latching Switch Assembly
1693.321	Power Neon Assembly
1693.322	Mains Terminal Block Assembly
1693.323	Earth Terminal Block Assembly
1693.325	Screw Pack (components identified 'A')
1693.326	Push Button
1693.328	Inlet & Clamp Bracket Pack
1693.331	Component Pack (components identified 'B')
1693.334	Switching Assembly

# Spare Parts Diagram



**Important Note!** Push-fit connectors **must** be assembled back to back onto terminals of micro-switches.  
 A minimum air gap of 4mm **must** be maintained between the connectors after assembly.

# NOTES

# NOTES

# CUSTOMER SERVICE

## Guarantee

Your product has the benefit of our manufacturer's guarantee which starts from the date of purchase.

To activate this guarantee, please return your completed registration card, visit our website or free phone 0800 0731248 within 30 days of purchase (UK only).

Within the guarantee period we will resolve defects in materials or workmanship, free of charge, by repairing or replacing parts or product as we may choose.

If you have not previously activated the guarantee, you will be required to do so prior to the provision of assistance. If you do not activate your guarantee our Engineer will be entitled to charge full payment for the visit (Call out fee plus parts).

**This guarantee is in addition to your statutory rights and is subject to the following conditions:**

- The product must be installed and maintained in accordance with the instructions given in this user guide.
- Servicing must only be undertaken by us or our appointed representative. **Note!** if a service visit is required the product must be fully installed and connected to services.
- Repair under this guarantee does not extend the original expiry date. The guarantee on any replacement parts or product ends at the original expiry date.
- For shower fittings or consumable items we reserve the right to supply replacement parts only.

**The guarantee does not cover:**

- Call out charges for non product faults (such as damage or performance issues arising from incorrect installation, improper use, lack of maintenance, build up of limescale, frost damage, corrosion, system debris or blocked filters) or where no fault has been found with the product.
- Water or electrical supply, waste and isolation issues.
- Compensation for loss of use of the product or consequential loss of any kind.
- Damage or defects caused if the product is repaired or modified by persons not authorised by us or our appointed representative.
- Routine maintenance or replacement parts to comply with the requirements of the TMV 2 or TMV 3 healthcare schemes.

## What to do if something goes wrong

If your product does not function correctly when you first use it, contact your installer to check that it is installed and commissioned in accordance with the instructions in this manual. Should this not resolve the issue, contact our Customer Services Team who will offer you or your installer advice and if applicable arrange for a Service Technician to call. If the performance of your product declines, check in this manual to see if simple home maintenance is required. If you require further assistance call our Customer Services Team.

## Extended Guarantees

A selection of protection plans are available that enable you to cover repair bills for the life of your policy (excludes Eire). Ring 01922 471763 for more details.

## Helpdesk Service

Our dedicated Customer Services Team is comprehensively trained and can offer help and advice, spare parts, accessories or a service visit. We will need you to have your model name or number, power rating (if applicable) and date of purchase. As part of our quality and training programme calls may be recorded or monitored.

## Mira Showers Website ([www.mirashowers.co.uk](http://www.mirashowers.co.uk))

From our website you can register your guarantee, download additional user guides, diagnose faults, purchase our full range of accessories and popular spares, refer to our FAQ's and request a service visit.

## Spares and Accessories

We maintain extensive stocks of genuine spares and accessories and aim to provide support throughout the product's expected life. Payment can be made by phone at time of order using most major Credit or Debit cards and we aim to despatch orders within two working days. Items purchased from us are guaranteed for 12 months from date of purchase. For safety reasons spares exposed to mains voltages should only be fitted by competent persons.

**Returns** – items can be returned within one month of date of purchase, providing that they are in good condition and the packaging is unopened. Please obtain authorisation from our Customer Services Team before return. We reserve the right to apply a 15% restocking charge.

## Service / Repairs

We have a nationwide team of Service Technicians who can carry out all service or repair work to your product within the guarantee period and beyond. You have the assurance of a fully trained Mira Technician, genuine Mira spare parts and a 12 month guarantee on any chargeable work done.

Payment should be made directly to the Service Technician who will accept most major Credit or Debit cards.

## To Contact Us

### UK

**Telephone: 0844 571 5000**

**[www.mirashowers.co.uk](http://www.mirashowers.co.uk)**

E-mail: [technical@mirashowers.com](mailto:technical@mirashowers.com)

Fax: 01242 282595

By Post: Mira Customer Services Dept, Cromwell Road, Cheltenham, Gloucestershire, GL52 5EP

### Eire

**Telephone: 01 459 1344**

E-mail: [sales@modernplant.ie](mailto:sales@modernplant.ie)

Fax: Dublin 01 459 2329

By Post: Modern Plant Ltd (Dublin), Otter House, Naas Road, Clondalkin, Dublin 22

Mira is a registered trade mark of  
Kohler Mira Limited.

The company reserves the right to alter  
product specifications without notice.



**mira**  
SHOWERS