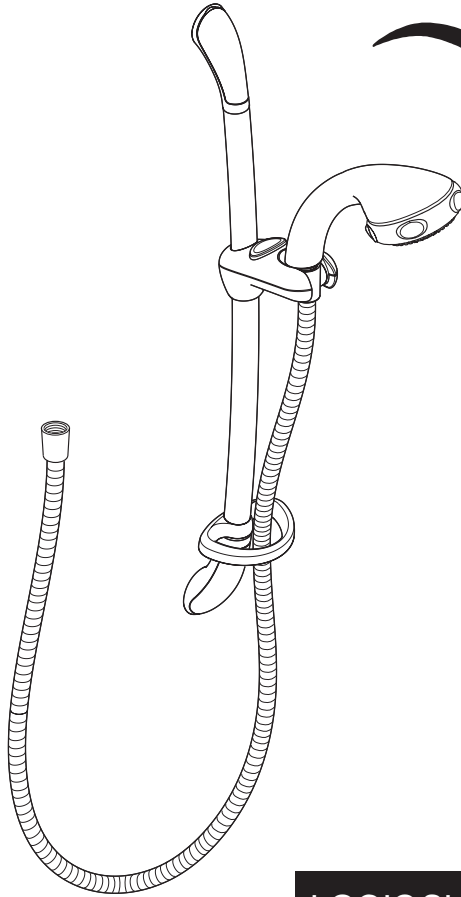


mira



LOGICSHOWERSET

1540.318 & 1540.319

Accessory Pack

Installation Guide

THESE INSTRUCTIONS ARE TO BE LEFT WITH THE USER

Contents

	Page
Introduction.....	4
Specification.....	4
Pack Content Checklist.....	5
Dimensions.....	6
Installation.....	7
Operation.....	11
Maintenance.....	12
Spare Parts.....	14
Guarantee, Customer Service, and How to contact us....	Back Cover

Introduction

The Mira Logic adjustable shower handset has four different spray actions: start, soothe, force and eco. It is suitable for most mixer showers and for electric showers over 8 kW.

The Mira adjustable shower handset is available in white or chrome.

Additional Features

- Adjustable showerhead with four spray patterns
- Visual indicators for spray settings
- Rub-clean rubber nozzles to remove scale build-up.
- Rubberised finger grips for easy adjustment.

Alternative Nozzles

The showerhead has been fitted with low capacity spray nozzles, which are suitable for a pressure of 0.1 bar minimum (0.6–5 m head). They are suitable for most shower installations, but for high-pressure installations the spray force may be too powerful for comfortable showering. In high-pressure installations, such as gas water heaters that require a higher flow rate to operate correctly, we recommend that high capacity spray nozzles be fitted.

High capacity spray nozzles are available free of charge by contacting Mira Customer Support on 0870 2410888.

Specification

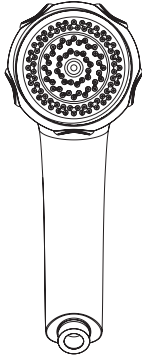
1. Minimum maintained pressure: 0.1 bar.

Maximum static pressure: 5.0 bar.

Exceeding the stated maximum static pressure could result in excessive spray force and damage to the handset.

Pack Contents Checklist

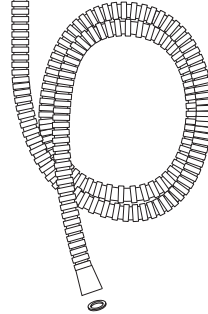
- Tick the appropriate box to familiarise yourself with the part names and to confirm that the parts are included.



1 x Adjustable Handset



2 x Hose Seals



1 x Shower Hose

2 x Slide Bar End Supports

1 x Applicator



2 x Slide Bar End Caps

1 x Slide Bar



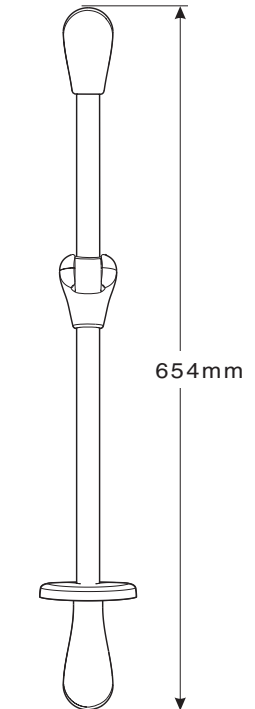
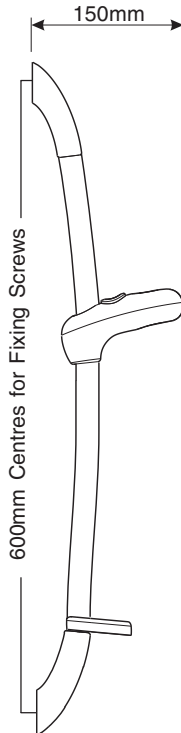
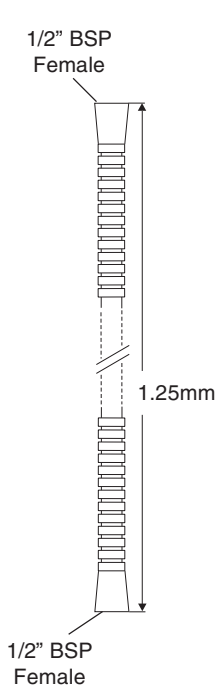
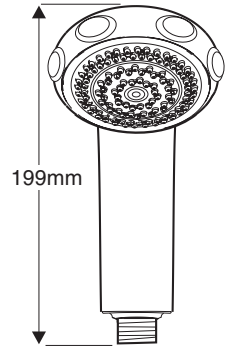
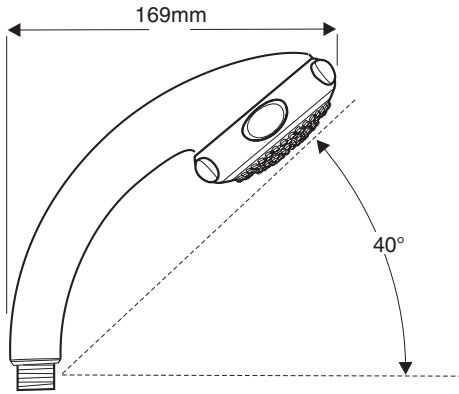
1 x Clamp Bracket Release Button

1 x Clamp Bracket Assembly

1 x Hose Retaining Ring



Dimensions



Installation

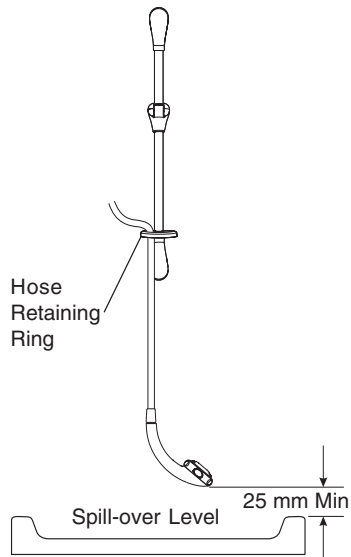
Slide Bar Installation

Note! For dry lined, stud partition, shower cubicle or laminated panel walls the installer may wish to obtain alternative proprietary cavity fixings. Use of these alternative fixings is beyond the scope of this guide.

Before Installing

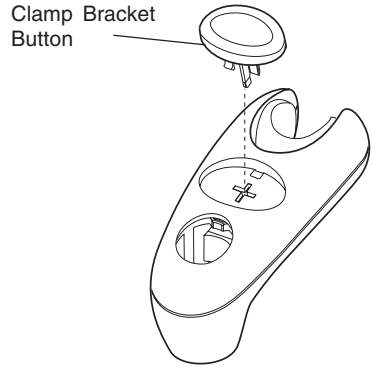
Before installing the slide bar, consider these placement tips:

1. Position the slide bar at a height that allows the handset to be adjusted to a convenient position for all the family.
2. Position the slide bar to one side of the shower control so that the hose will not interfere with the control.
3. Position the slide bar so that the spray from the handset discharges away from the shower control, and down the centre line of the bath or across (rather than into) the shower cubicle opening.
4. Position the slide bar so that, when the hose retaining ring is placed in the lowest position on the slide bar, there is a minimum 25 mm distance between the handset and the spill-over level of the bath or shower tray. This is to comply with water regulations preventing back-siphonage.

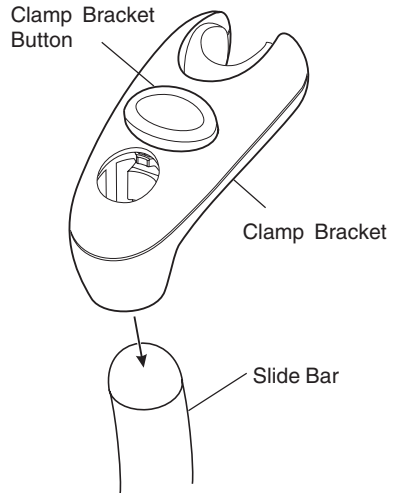


Installation

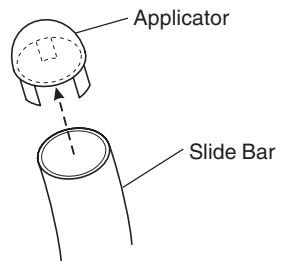
1. Remove the warning label from button recess in the clamp bracket.
2. Fit the clamp bracket button into the clamp bracket. The button will only fit one way.



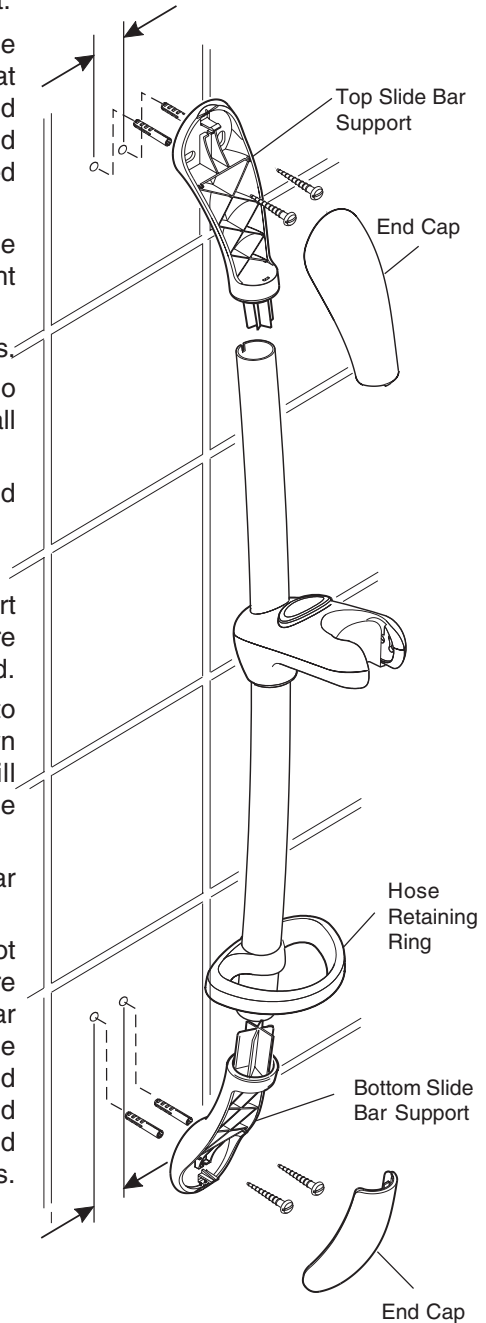
3. With the clamp bracket button fully depressed, carefully ease the slide bar through the hole in the clamp bracket. Take care not to dislodge the clamp bracket mechanism or the friction pad.



4. Remove the applicator from the top of the slide bar and store it for future use.



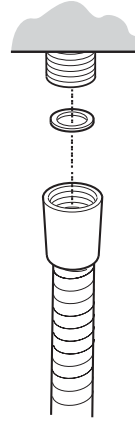
5. Slide the hose retaining ring onto the slide bar below the clamp bracket.
6. Fit the two slide bar supports to the ends of the slide bar. Ensure that the slots in the slide bar are aligned with the lugs in the support, and ensure that the supports are pushed fully home.
7. Put the slide bar in position on the wall and make sure that it is upright and level.
8. Mark the position of the fixing holes. **Warning!** Ensure that there are no buried cables or pipes in the wall before drilling.
9. Remove the slide bar assembly and drill four 8 mm holes as marked.
10. Insert the wall plugs.
11. Secure the bottom slide bar support to the wall using screws. Ensure that the screws are fully tightened.
12. Screw the top slide bar support to the wall loosely. Press firmly down on the support and, while still pressing downward, fully tighten the screws.
13. Fit the end caps to the slide bar supports.
14. Check that the slide bar does not rotate or move up and down. If there is movement, remove the slide bar from the wall and check that the support lugs are properly engaged with the slots in the side bar, and that the supports are pushed completely into the slide bar ends. Refit the slide bar assembly.



Shower Hose and Handset Installation

1. Screw the Mira shower hose onto the outlet of the shower control. Make sure that the hose washer is fitted.

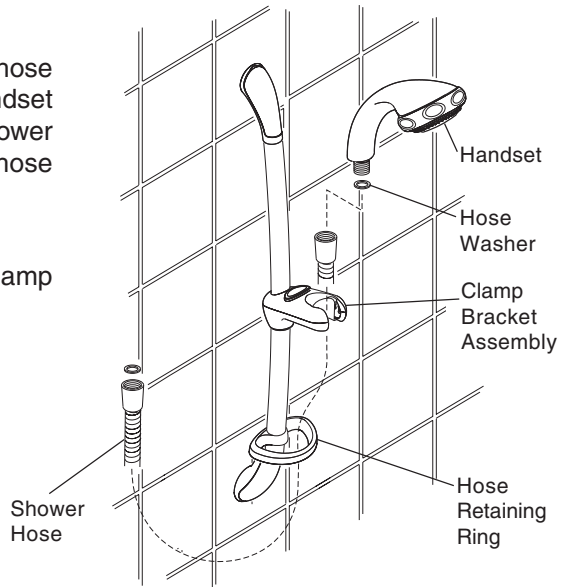
Caution! Do not overtighten the hose.



2. Pass the hose through the hose retaining ring. Screw the handset into the remaining end of the shower hose. Make sure that the hose washer is fitted.

Caution! Do not overtighten.

3. Place the handset in the clamp bracket assembly.

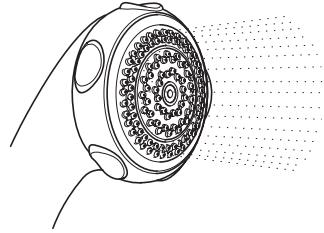


Operation

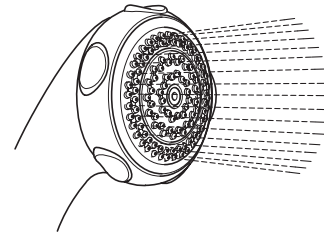
Spray Settings

The handset has four spray settings: Eco, Start, Soothe, and Force.

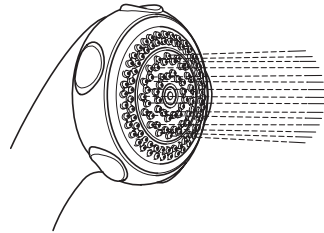
1. **Eco:** Water flows from the outer set of holes at a reduced flow rate.
To select the Eco setting, turn the spray plate fully clockwise.



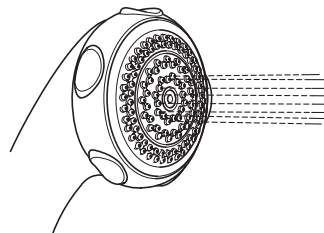
2. **Start:** Water flows from the outer set of holes.
To select the Start setting, turn the spray plate anticlockwise from the full clockwise position until it clicks once.



3. **Soothe:** Water flows from the middle set of holes.
To select the Soothe setting, turn the spray plate anticlockwise from the full clockwise position until it clicks twice.



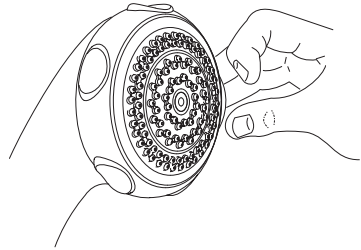
4. **Force:** Water flows from the inner set of holes.
To select the Force setting, turn the spray plate anticlockwise from the full clockwise position until it clicks three times.



Maintenance

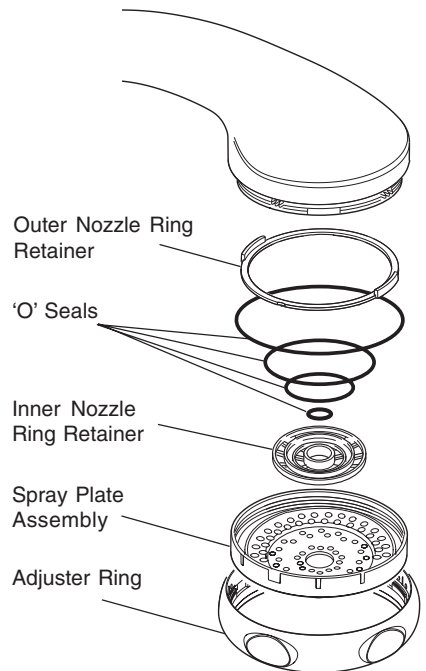
Daily Cleaning

Use your thumb or a soft cloth to wipe any limescale from the soft rubber nozzles and the front face of the showerhead.



Full Cleaning

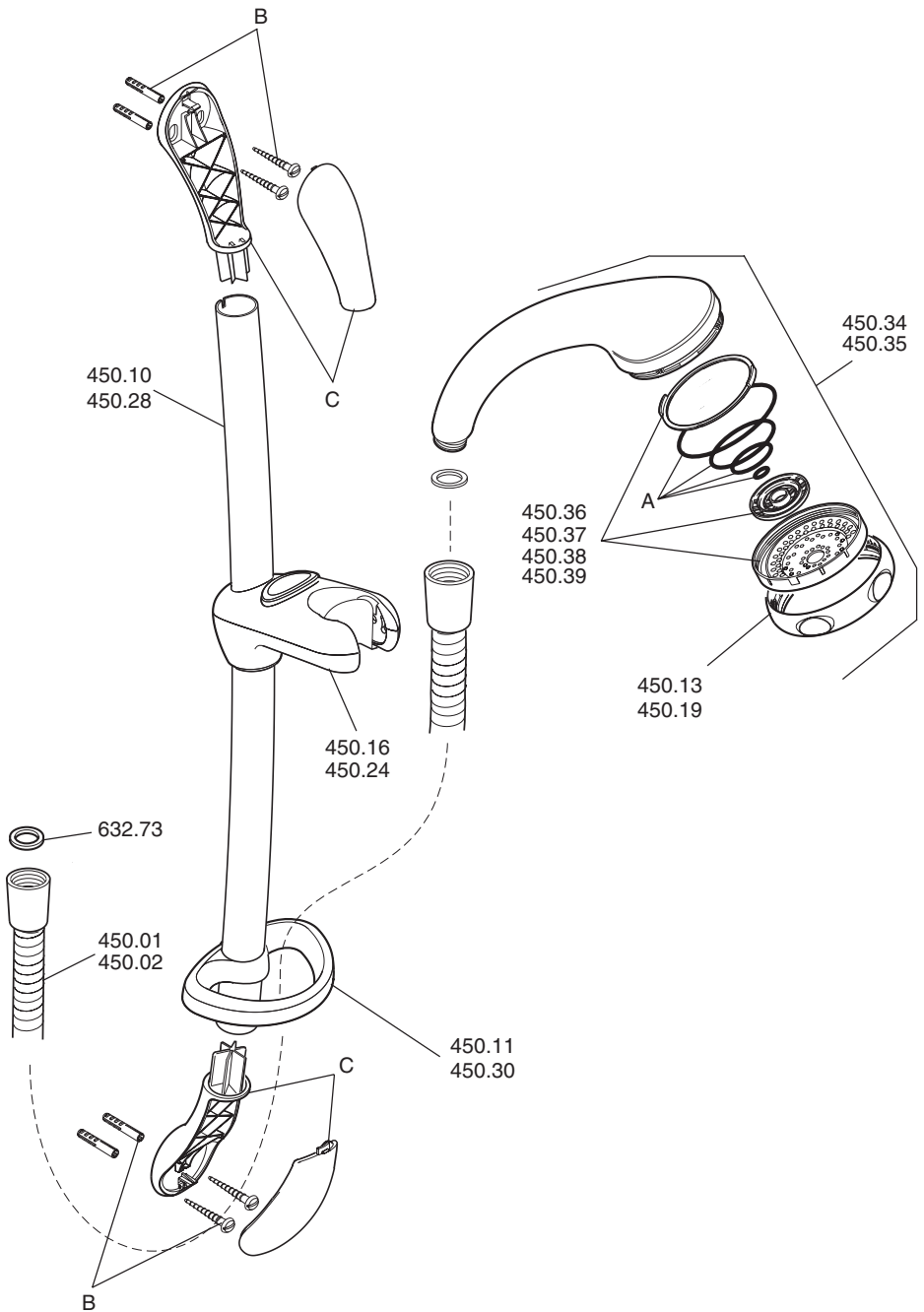
1. Turn the adjuster ring fully anticlockwise.
2. Unclip and remove the adjuster ring.
3. Unscrew the spray plate assembly in an anticlockwise direction. The 'O' seals will provide some resistance.
4. Remove the inner and outer nozzle retaining rings.
5. Clean all of the components with a stiff brush.
6. If necessary, use a plastic kettle descaler to remove stubborn limescale, following the manufacturer's instructions.
7. If the 'O' seals are damaged, replace them with new 'O' seals. (Spare part number 450.08, available from Customer Services. See the back page for more information).
8. Refit the components in reverse order. Ensure that the 'O' seals and the inner and outer nozzle ring retainers are fitted correctly.



Spare Parts

Spare Parts

450.01	Hose 1.25 m – chrome
450.02	Hose 1.25 m – white
450.08	Service Pack 'O' seals– components identified 'A'
450.10	Slide Bar – white
450.11	Hose Retaining Ring – white
450.13	Adjuster Ring – white
450.16	Clamp Bracket Assembly – white
450.17	Slide Bar Wall Fixing Pack– components identified 'B'
450.19	Adjuster Ring – chrome
450.24	Clamp Bracket Assembly – chrome
450.26	Slide Bar Support Assembly – white – components identified 'C'
450.27	Slide Bar Support Assembly – chrome – components identified 'C'
450.28	Slide Bar – chrome
450.30	Hose Retaining Ring – chrome
450.34	Adjustable Handset Assembly – white
450.35	Adjustable Handset Assembly – chrome
450.36	LC Spray Plate Pack – for white
450.37	HC Spray Plate Pack – for white
450.38	LC Spray Plate Pack – for chrome fittings
450.39	HC Spray Plate Pack – for chrome fittings
632.73	Hose Washer



Customer Service

Guarantee (Accessories)

Mira Showers guarantees this product against any defect of materials or workmanship for one year from the date of purchase.

Within the guarantee period we will resolve defects, free of charge, by repair or replacement as we may choose.

Not covered by this guarantee:

- Damage or defects arising from incorrect installation, improper use or lack of maintenance, including build-up of limescale.
- Damage or defects if the product is taken apart, repaired or modified by any person not authorised by Mira Showers or our approved agents.

Proof of Purchase will be required to support any guarantee claims.

This guarantee is in addition to your statutory and other legal rights.

Our Customer Services Team is comprehensively trained to provide every assistance you may need: help and advice, spare parts or a service visit.

As part of our quality and training programme calls may be recorded or monitored.

Spare Parts

We maintain an extensive stock of spares, which can be purchased from approved stockists or merchants (locations on request) or direct from Customer Services.

Spares direct will normally be despatched within two working days. Payment can be made by Visa or Mastercard at the time of ordering. Should payment by cheque be preferred a pro-forma invoice will be sent.

Note! In the interests of safety, spares requiring exposure to mains voltages can only be sent to competent persons.

Service

Our Service Force is available to provide a quality service at a reasonable cost. You will have the assurance of a Mira trained engineer/agent, genuine Mira spares – and a 12 month guarantee on the repair.

To contact us

England, Scotland & Wales

Mira Showers Customer Services

Telephone: 0870 241 0888

8:30 am to 5:00 pm Working days (4:30 pm Friday)

8:30 am to 12.30 pm Saturday

E-mail: technical@mirashowers.com

Fax: 01242 282595

By Post: Cromwell Road

Cheltenham

Gloucester

GL52 5EP

Northern Ireland

Wm H Leech & Son Ltd

Telephone: 028 9044 9257 – Mon to Fri 9 am-5pm

Fax: 028 9044 9234 – 24 hours

Post: Maryland Industrial Estate

Ballygowan Road

Moneyreagh, Co Down

BT23 6BL

Republic of Ireland

Modern Plant Ltd

Telephone: Dublin 01 4591344 – Mon to Fri 9am to 5pm

Fax: Dublin 01 4592329 – 24 hours

Post: Otter House

Naas Road

Clondalkin

Dublin 22

Mira Showers
Kohler Mira Ltd
Cromwell Road,
Cheltenham GL52 5EP.

Mira is a registered trade mark.
The company reserves the right to alter
product specifications without notice.

www.mirashowers.com



BS EN ISO 9001 : 1994
Reg. No. FM 14648

