

**STUART**

## Installation, Operation & Maintenance Instructions

Please leave this instruction booklet with the home owner as it contains important guarantee, maintenance and safety information



**Read this manual carefully before commencing installation.**  
This manual covers the following products:

**Supersub 230A**  
Pt. No. 46540

**Supervort 140A**  
Pt. No. 46541

**Supervort 240A**  
Pt. No. 46542

**50 Hz**



Arabic Installation Operation & Maintenance Instructions . . . . .	29
English (GB) Installation Operation & Maintenance Instructions . . . . .	2

**PRODUCT DESCRIPTION**

Electric motor driven submersible pump with float switch control on selected models.

**APPLICATION**

The submersible pump range is designed for re-circulation, drainage and transfer of fresh water in outdoor or indoor applications.

Model types within the range which have the suffix 'A' incorporate an adjustable float switch assembly which provides automatic pump control.

**Supersub Range:** This model is suitable for clean water, rain water or waste water applications.

Note: Waste water is water that has been used in the home except water from toilets eg. dish, shower and laundry water.

**Supervort Range:** These models are suitable for dirty water applications and are capable of handling semi-solids in suspension of up to 20 mm in diameter. They are also suitable for all applications specified in the Supersub range.

**STORAGE**

If this product is not to be installed immediately on receipt, ensure that it is stored in a dry, frost and vibration free location in its original packaging.

**CONTENTS**

	Page
Checklist . . . . .	5
Important Facts – read before commencing installation . . . . .	6
Location . . . . .	7
Pump Connections . . . . .	9
Electrical Installation . . . . .	10
Commissioning . . . . .	11
Maintenance . . . . .	12
Technical Specification . . . . .	13
Trouble Shooting . . . . .	14
Guarantee . . . . .	15

## WARNINGS:



- The pumps must not be used with salt water, sewage, flammable, corrosive or explosive liquids (eg. petroleum oil, petrol, thinners) grease, oils or foodstuffs.
- This pump set must not be used for any other application without the written consent of Stuart Turner Limited and in particular, must not be connected directly to the mains water supply.
- This appliance can be used by children aged from 8 years and above and persons with reduced physical, sensory or mental capabilities or lack of experience and knowledge if they have been given supervision or instruction concerning use of the appliance in a safe way and understand the hazards involved.
- Children shall not play with the appliance.
- Cleaning and user maintenance shall not be made by children without supervision.
- Maximum head (closed valve), 8.3 metres (Supersub 230A), 5.0 metres (Supervort 140A), 7.4 metres (Supervort 240A).



- The electrical installation must be carried out in accordance with the current national electrical regulations.
- The electrical installation must be installed by a qualified person.
- In the interests of electrical safety a 30 mA residual current device (R.C.D. not supplied) should be installed in the supply circuit. This may be part of a consumer unit or a separate unit.
- Before starting work on the electrical supply ensure power supply is isolated.
- Isolate all appliances in the water from the electrical supply before putting your hands in the water.



- **This appliance must be earthed via the supply cord.**
- **The motor is provided with a factory fitted supply cord and plug. This must be connected to the mains supply via a 13 Amp double pole switched, socket outlet in compliance with BS 1363-2.**
- **A plug with bared flexible cords is hazardous if engaged in a live socket outlet.**
- **Do not run the pump dry.**
- **In the unlikely event of mechanical seal failure pollution of the liquid could occur due to the leakage of lubricants.**
- **If the supply cord is damaged, it must be replaced by Stuart Turner Ltd or an official Service Agent to avoid hazard.**

**Please read installation details carefully as they are intended to ensure this product provides long, trouble free service. Failure to install the unit in accordance with the installation instructions will lead to invalidation of the warranty.**

# CHECKLIST

**IMPORTANT:** With the pump removed from its packaging check for any damage prior to installation. If any damage is found contact Stuart Turner Ltd within 24 hours of receipt.

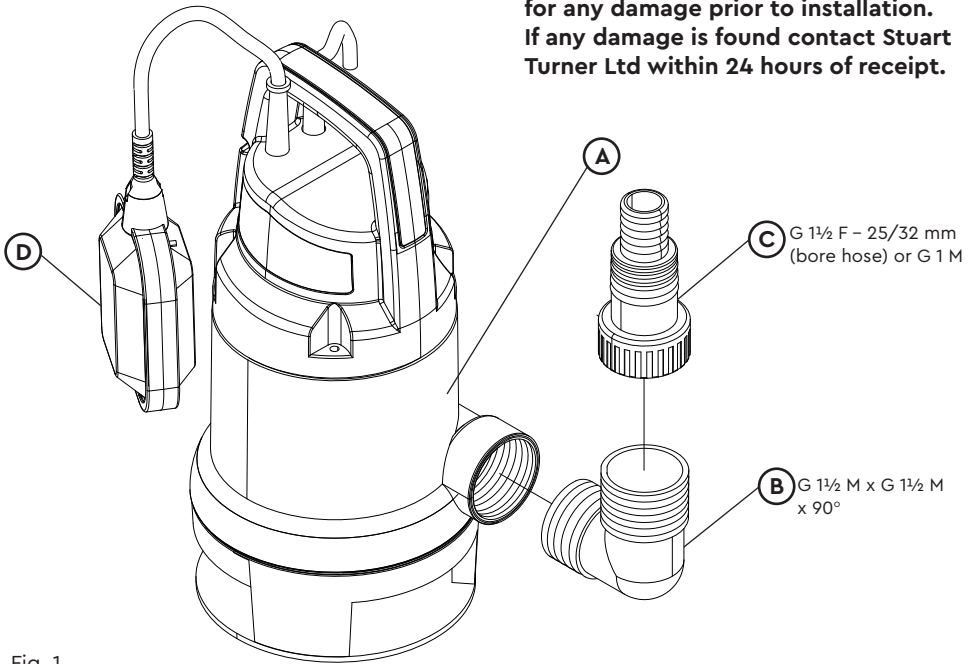


Fig. 1

Item	Description	Qty	Item	Description	Qty
(A)	Pump	1	(C)	Connector	1
(B)	Elbow	1	(D)	Float switch (part of pump)	1

Your product may vary slightly from the picture above.

## **1 IMPORTANT FACTS: READ BEFORE COMMENCING PUMP INSTALLATION**

### **A Water temperature**

The water entering the pump must be controlled as follows:

1.11 The maximum allowable water temperature is 35 °C.

1.12 The minimum allowable water temperature is 4 °C.

### **B Pipework – General**

1.13 All models are supplied with a 90° elbow and stepped hose connector (see pump connection section for details) which can be screwed directly into the pump discharge connection.

1.14 The hose connector is suitable for a range of flexible hose sizes and can be cut to suit the selected size. For best flow use the largest bore pipe possible minimising 90° bends. Small pipe sizes will reduce the pump performance.

## 2 LOCATION – GENERAL



- 2.11 **Access:** For emergencies and maintenance the pump must be easily accessible.
- 2.12 Do not run against a closed valve for periods longer than 5 minutes. The water in and around the pump must not be allowed to freeze. This will result in pump damage.
- 2.13 Do not under any circumstances use the supply cord fitted, as a means to carry or lower the pump into position on installation. Attach a rope sling to handle.
- 2.14 Never run pump whilst sucking air only as the motor will overheat. To prevent this happening always install pump in the vertical position and ensure fully submerged.
- 2.15 **Pump position:** When siting the pump ensure its base is raised slightly from the bottom of the sump reducing the possibility of blocking the filter with debris or drawing in small stones (see Fig. 2).

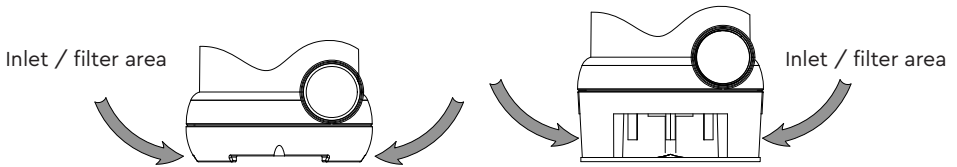
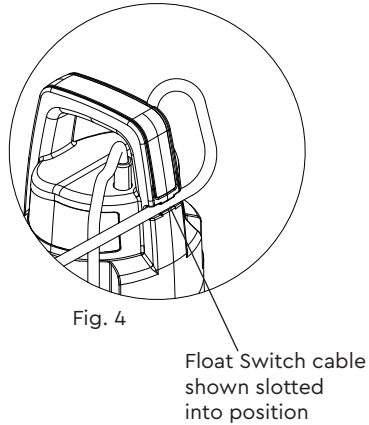
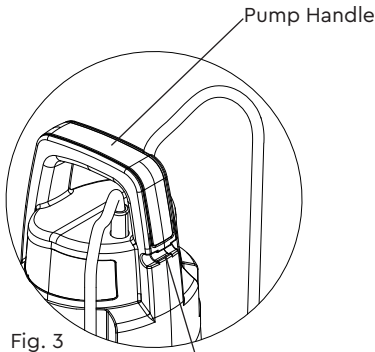


Fig. 2

- 2.16 The pump must be installed in the vertical position and must be fully submerged at all times to avoid overheating of the motor. Float switch controlled pumps may be operated partially submerged for short periods (see float switch operation section for further details).
- 2.17 **Supersub:** When siting this pump in a location where organic or general debris is likely, ensure the pump is placed on its base on a flat horizontal surface (eg. on a paving slab) to enable full functionality of the primary inlet filter grille, which in turn will prevent the secondary inlet filter grille from being frequently blocked.
- 2.18 **Supervort:** When siting these pumps in a location where organic or general debris is likely, ensure the base is raised slightly from the bottom of the sump (eg. on a flat paving slab) to prevent the force of the pump from drawing in small stones. This will result in pump damage.
- 2.19 **Float Switch Operation:** Selected models which include the suffix 'A' after the model number, are fitted with float switches for automatic operation. The following guide will help you get the most out of your pump. The pump must never run dry, needing a minimum water depth of 90 mm on the Supersub model and 120 mm on the Supervort models, at all times. Adjustment of the float switch is achieved by lengthening or shortening the cable through the moulded cable retention slot, which is located in the pump handle (Figs 3 and 4).  
Note: When inserting cable into slot ensure it is fully engaged.

Cont ...



If modification of the level setting is required refer to Figures 7 and 8 and the following chart.

If the pump is required to drain, for instance, a cellar, then it must be installed in a sump, having sufficient dimensions for the float switch to operate freely (Fig. 7), retaining a minimum water depth as previously stated. The pump is continuously rated when fully submerged but should only be run for short periods (10 mins) when the water drops to the minimum level. The number of starts should not exceed 30 per hour.

Note: It is not possible to empty the sump completely, a minimum depth must remain (Figs. 5 & 6).

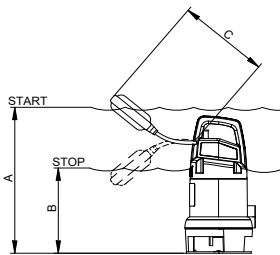


Fig. 5 Min. Float Switch Movement

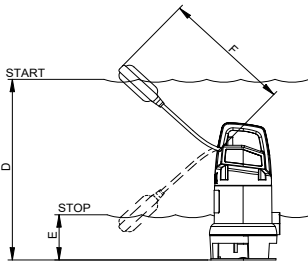


Fig. 6 Max. Float Switch Movement

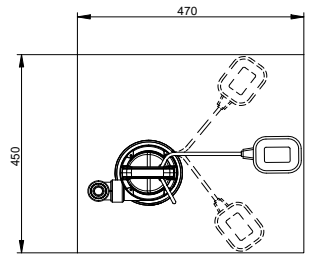


Fig. 7 Min. Size Of Sump

	A	B	C	D	E	F
PUMP TYPE	START (MIN.ADJ)	STOP (MIN.ADJ)	CABLE (MIN.ADJ)	START (MAX.ADJ)	STOP (MAX.ADJ)	CABLE (MAX.ADJ)
Supersub 230A	400	200	220	480	90	350
Supervort 140A	410	190	220	460	100	320
Supervort 240A	440	230	220	490	100	330

Chart shows min. and max. float switch adjustment

Cont ...



### 3 PUMP CONNECTIONS

3.11 Supersub and Supervort pumps are supplied with a 90° elbow and stepped hose connector which can be screwed into the pump outlet port.

Pump Type	Pump Outlet	Elbow	Hose Connector	
			Thread	Hose Bore (mm)
Supersub	G1½ F	G1½ M x G1½ M x 90°	G1½ F	25 / 32 / G 1 M
Supervort	G1½ F	G1½ M x G1½ M x 90°	G1½ F	25 / 32 / G 1 M

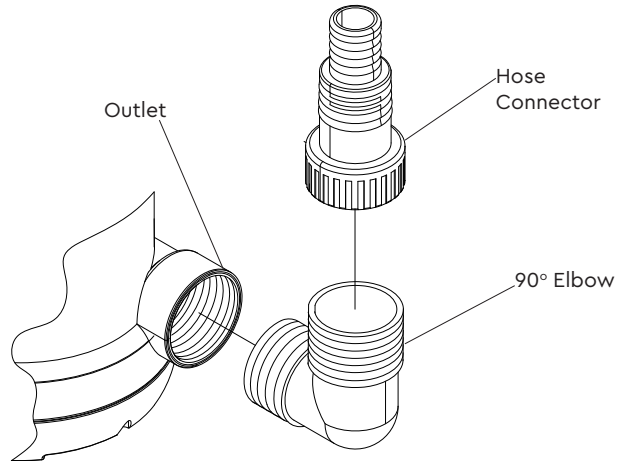



Fig. 8

## 4 ELECTRICAL INSTALLATION



- 4.11 **Regulations:** The electrical installation must be carried out in accordance with the current national electrical regulations and installed by a qualified person.
- 4.12 **Safety:** In the interests of electrical safety a 30 mA residual current device (**R.C.D. not supplied**) should be installed in the supply circuit. This may be part of a consumer unit or a separate unit.
- 4.13 Before starting work on the electrical supply ensure power supply is isolated.
- 4.14 Isolate all appliances in the water from the electrical supply before putting your hands in the water.
- 4.15 If the supply cord is damaged, it must be replaced by Stuart Turner Ltd or an official Service Agent to avoid hazard.
- 4.16 If the pump is used to empty a swimming pool, the pump must not be used when people are in the water.
- 4.17 All motors are thermally protected by an integral auto-resetting thermotrip and are rated for continuous use.
- 4.18 **Earthing:** This appliance must be earthed via the supply cord.
- 4.19 **Connections:** The motor is provided with a factory fitted supply cord and plug. This must be connected to the mains supply via a 5 Amp double pole switched, socket outlet in compliance with BS 1363-2. The socket outlet should be mounted in an easily accessible position and should be labelled if confusion is possible, to allow easy identification of the pump isolating switch.
- 4.20 **Wiring Of Connection Unit:**  
**The moulded plug fitted to this appliance is not waterproof – keep dry.** If the plug supplied is not suitable for your socket outlet, it should be cut off and destroyed.  
**A plug with bared flexible cords is hazardous if engaged in a live socket outlet.**  
The end of the flexible cord should be suitably prepared and correct plug fitted, as follows:  
The wires in the mains lead (supply cord) are coloured in accordance with the following code:  
Green and Yellow: Earth  
Blue: Neutral  
Brown: Live  
As the colours of the wires in the mains lead of this appliance may not correspond with the coloured markings identifying the terminals in your connection unit proceed as follows:
- The wire which is coloured green and yellow must be connected to the terminal in the connection unit which is marked with the letter E or by the earth symbol:  or coloured green or green and yellow.
  - The wire which is coloured blue must be connected to the terminal which is marked with the letter N or coloured black.
  - The wire which is coloured brown must be connected to the terminal which is marked with the letter L or coloured red.

Cont ...

- 4.21 **Fuses:** All models should use a 5 Amp fuse.
- 4.22 **Supply Cord Extension (Pump):** The pumps are fitted with a supply cord suitable for outdoor and underwater use. The cord specification is as follows:-

Pump Type	Cord Type	Cord Length (m)
Supersub 230A	HO7RN-F3 G 1 mm <sup>2</sup>	10
Supervort 140A	HO5RN-F3 G 0.75 mm <sup>2</sup>	10
Supervort 240A	HO7RN-F3 G 1 mm <sup>2</sup>	10

If an extension cord is necessary a cord of the proper type and rating must be used.

In general for 230 volt pumps on distances up to 40 metres (inclusive of original cord length) the same specification cord as fitted to the pump can be used. For distances above 40 metres a larger cord size may be required due to voltage drop and advice must be obtained based upon installation details.

Any connectors or junction boxes must be specifically suited for outdoor use and installed in accordance with manufacturers instructions.

Any cable routed underground must be protected to local standards.

- 4.23 **Float Switch Cord Extension (applicable models only):** The float switch cord cannot be extended.

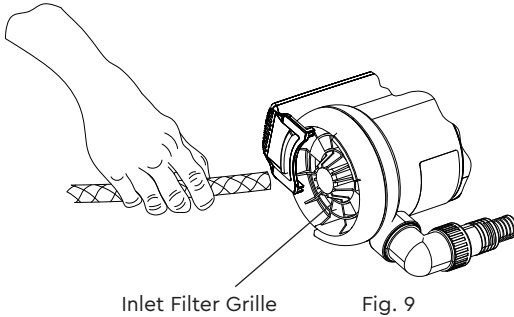
## 5 COMMISSIONING

- 5.11 The pump chamber must be full of water at all times. Damage will result if pump runs dry.
- 5.12 The pump must be fully submerged before starting. Take care when submerging the pump to ensure all air is purged from the casing. This is done by slowly submerging the pump and gently agitating whilst doing so. This will enable any trapped air pockets to be released.
- 5.13 Turn on the electrical supply and water movement should be immediately evident from pump outlet. If it is not, repeat step 1.
- 5.14 **For Further Technical Support:** Phone the Stuart Turner TechAssist team on +44 (0) 800 31 969 80. Our staff are trained to help and advise you over the phone.

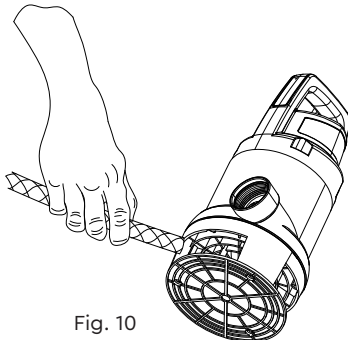
Note: When pumps are installed in another manufacturers original equipment, please contact the manufacturer for advice.

## 6 MAINTENANCE

- 6.11 The water in and around the pump must not be allowed to freeze. This will result in pump damage.
- 6.12 Provision should be made for easy access to the pump to allow for regular maintenance.
- 6.13 The integral inlet filter grille should be checked periodically and cleaned if required. It is important the filters are clean and free from debris which in turn ensures the pump will always run at maximum efficiency. A blocked filter can cause damage to the pump.
- 6.14 The pump must be cleaned as follows:-
- 6.15 **Supersub Range:**
- 1) Disconnect electrical supply before working on pump.
  - 2) Release system pressure from pipework and remove pump from water (do not use cable to lift pump).
  - 3) Clean integral inlet filter grilles using water pressure from a hose pipe (Fig. 9).
  - 4) Refer to commissioning section for instructions on re-starting pump.



- 6.16 **Supervort Range:**
- 1) Disconnect electrical supply before working on pump.
  - 2) Release system pressure from pipework and remove pump from water (do not use cable to lift pump).
  - 3) Clean behind footstool plate using water pressure from a hose pipe (Fig. 10).
  - 4) Refer to commissioning section for instructions on re-starting pump.



Cont ...

## 7 TECHNICAL SPECIFICATION

Pump Model		Supersub 230A 50 Hz 46540	Supervort 140A 50 Hz 46541	Supervort 240A 50 Hz 46542
General	Guarantee	1 year		
	Approvals	CE		
Features	Pump type	Submersible		
	Pump control	Float switch		
	Carry handle	✓	✓	✓
	Automatic float switch	✓	✓	✓
	Typical noise	35 (dB(A))		
Materials	Pump body	Polypropylene		
	Impeller	Plastic		
	Mechanical seal	Double lip		
Performance	Maximum head – closed valve	0.82 bar (8.3 metres)	0.5 bar (5.0 metres)	0.73 bar (7.4 metres)
	Performance @ 50 l/min	0.68 bar (6.9 metres)	0.37 bar (3.7 metres)	0.64 bar (6.5 metres)
	Performance @ 100 l/min	0.53 bar (5.4 metres)	0.24 bar (2.4 metres)	0.51 bar (5.2 metres)
	Maximum flow	230 l/min	140 l/min	240 l/min
	Minimum immersion depth	90 mm	120 mm	
	Maximum immersion depth	7 metres		
	Suction to remaining depth – automatic mode	90 mm	120 mm	
	Maximum suspended particle size	5 mm	20 mm	
	Min / Max water temperature	Min 4 °C / Max 35 °C		
Connections	Pump connections – outlet	G 1½ female		
	Hose connector	G 1 male x G 1½ female x 25 or 32 mm bore hose		
Motor	Type	Induction (thermal trip / auto reset)		
	Duty rating	Continuous (S1)		
Electrical	Power supply (Vac/Ph/Hz)	230 V a.c. / 1 / 50 Hz		
	Power consumption – P1	466 Watts	320 Watts	513 Watts
	Current – full load	2.1 Amps	1.4 Amps	2.3 Amps
	Fuse rating	5 Amps		
	Power cable length	10 metres (pre-wired)		
Physical	Enclosure protection	IPX8		
	Width	260 mm		
	Depth	158 mm		
	Height (excluding fittings)	320 mm	334 mm	
	Weight (including fittings)	5.3 kg	4.2 Kg	5.4 Kg
Optional accessories	Lay flat hose 32 mm x 5 m	Pt No 19965		
	Lay flat hose 32 mm x 10 m	Pt No 19966		
	Lay flat hose 32 mm x 15 m*	Pt No 20363		

\*This hose is suitable for the Supersub 230A and Supervort 240A models only.

Stuart Turner reserve the right to amend the specification in line with its policy of continuous development of its products.

7.11 Noise: The equivalent continuous A-weighted sound pressure level at a distance of 1 metre from the pumpset does not exceed 70 dB(A).

## 8 TROUBLE SHOOTING GUIDE

Symptoms	Probable Cause	Recommended Action
Pump stops running.	Thermal overload protection has tripped.	<p>Disconnect the power supply to the pump. Allow to cool for 30 mins.</p> <p>Check to ensure the pump is connected to the correct voltage supply.</p> <p>Check to ensure the impeller is not jammed and can rotate freely.</p> <p>Check to ensure water to be pumped does not exceed recommended temperature, ensure pump has not run dry and is fully submerged.</p> <p>Check probable causes and remedy, allow to cool reinstall and connect cable.</p>
Pump will not start.	<p>Power not connected to the electricity supply.</p> <p>Impeller Jammed.</p> <p>Float switch not working (if fitted).</p>	<p>Check the cable is connected correctly and power supply is switched on. Check fuse.</p> <p>Clean away debris from the impeller.</p> <p>Check the float switch by hand (do not attempt to dismantle float switch) for further advice contact Stuart Turner.</p>
Pump runs but no water is supplied.	<p>Low water level.</p> <p>Discharge pipe clogged.</p> <p>Suction filter blocked.</p>	<p>Ensure the pump is fully submersed below the water level.</p> <p>Ensure that the pump is not able to suck air in (low water level).</p> <p>Remove pipe and ensure the discharge is clear of any debris.</p> <p>Check inlet pre-filters (if fitted), are free from blockages.</p>

- 8.11 **Environment Protection:** Your appliance contains valuable materials which can be recovered or recycled.  
At the end of the products' useful life, please leave it at an appropriate local civic waste collection point.

## 9 THE GUARANTEE – 1 YEAR

Congratulations on purchasing a Stuart Turner pump.

We are confident this pump will provide many years of trouble free service as all our products are manufactured to the very highest standard.

All Stuart Pumps are guaranteed to be free from defects in materials or workmanship for 1 year from the date of purchase.

Within the guarantee period we will repair, free of charge, any defects in the pump resulting from faults in material or workmanship, repairing or exchanging the whole unit as we may reasonably decide.

Not covered by this guarantee: Damage arising from incorrect installation, improper use, unauthorised repair, normal wear and tear and defects which have a negligible effect on the value or operation of the pump.

Reasonable evidence must be supplied that the product has been purchased within the guarantee term prior to the date of claim (such as proof of purchase or the pump serial number).

This guarantee is in addition to your statutory rights as a consumer. If you are in any doubt as to these rights, please contact your local Trading Standards Department.

In the event of a claim please telephone '**TechAssist**' or return the pump and flexible hoses with the accessories removed e.g pipes etc. If you have any doubt about removing a pump, please consult a professional.

**+44 (0) 800 31 969 80**

Proof of purchase should accompany the returned unit to avoid delay in investigation and dealing with your claim.

You should obtain appropriate insurance cover for any loss or damage which is not covered by Stuart Turner Ltd in this provision.

Please record here for your records.

TYPE NO.	SERIAL NO.	DATE PURCHASED
----------	------------	----------------

## 9. ضمان لمدة سنة واحدة لمنتجك

تهانينا الحارة لك على شرائك مضخة Stuart Turner.

نحن على يقين بأن هذه المضخة ستزودك بخدمة لعدة سنوات دون أية مشاكل تذكر لأننا نقوم بتصنيع جميع منتجاتنا بأعلى المعايير المطلوبة.

إن جميع مضخات Stuart Turner مضمونة بأنها خالية من العيوب في المواد أو الصناعة لمدة سنة واحدة من تاريخ الشراء. خلال فترة الضمان، سنقوم بإصلاح أي عيوب في المضخة مجاناً نتيجة أخطاء في المواد أو الصناعة، إلى جانب إصلاح كل الوحدة أو استبدالها وفق ما نحدد بشكل معقول.

أمور لا يتشمّلها هذا الضمان: التلف الناتج عن التركيب غير الصحيح والاستخدام غير الملائم والإصلاح غير المصرح به، والبلبلى والتآكل العادي من الاستعمال والعيوب التي ليس لها تأثير يذكر على قيمة المضخة أو تشغيلها.

يجب تقديم دليل معقول يثبت شراء المنتج ضمن فترة الضمان قبل تاريخ المطالبة (مثل إثبات على شراء المضخة أو الرقم التسلسلي لها).

يضاف هذا الضمان على حقوقك القانونية كمستهلك. في حال ساورتك الشكوك بخصوص هذه الحقوق، نرجو الاتصال بقسم معايير التجارة المحلي في بلدك.

في حال وجود أي مطالبة، يُرجى الاتصال بفريق «بالدعم الفني (TechAssist)» أو إعادة المضخة مع إزالة الملحقات منها، على سبيل المثال المواسير وغيرها. وإذا كانت لديك أية شكوك حيال إزالة أي مضخة، يُرجى استشارة اختصاصي.

**+44 (0) 800 31 969 80**

ينبغي أن يكون إثبات الشراء مرفقاً مع الوحدة المعادة لتفادي التأخير في التحقيق والتعامل مع مطالبتك.

ينبغي عليك الحصول على تغطية تأمين مناسبة بخصوص أية خسارة أو تلف لا يغطيه ضمان شركة Stuart Turner Ltd.

يرجى تسجيل المعلومات هنا لحفظها.

رقم النوع	الرقم التسلسلي	تاريخ الشراء



## 8. استكشاف الأعطال وإصلاحها

الأعراض	السبب المحتمل	الإجراء الموصى به
توقف المضخة عن العمل.	تم تحرير مفتاح الحماية من الحمل الحراري الزائد.	افصل مصدر الإمداد الكهربائي عن المضخة. انتظر حتى تبرد لمدة ٣٠ دقيقة. تحقق من توصيل المضخة بمصدر إمداد الفولتية الصحيح. تحقق لضمان عدم انحشار الدفاعة وأنه يمكن تدويرها بحرية. تحقق لضمان أن الماء الذي يتم ضخه لا يتجاوز درجة الحرارة الموصى بها، وضمان أن المضخة ليست جافة وأنه تم غمرها بالكامل. تحقق من الأسباب المحتملة وإصلاحها، والسماح بالتبريد لإعادة تثبيت الكابل وتوصيله.
المضخة سوف لا تعمل.	لم يتم توصيل المضخة بمصدر الإمداد الكهربائي. تم انحشار الدفاعة. مفتاح التبديل الذي يعمل بعوامة لا يعمل (إن وجد).	تحقق من توصيل الكابل بشكل صحيح ومن تشغيل مصدر الإمداد بالكهرباء. افحص قاطع التيار. نظف الدفاعة من الأتربة. تحقق من مفتاح الطفو يدويًا (لا تحاول فك مفتاح الطفو)، لمزيد من النصح اتصل بـ ستيوارت تيرنر Stuart Turner.
يتم تشغيل المضخة مع عدم وجود ماء.	مستوى الماء منخفض. أنبوب التفريغ مسدود. انسداد الفلتر الماص.	تأكد من غمر المضخة بالكامل أسفل مستوى الماء. تأكد من عدم قيام المضخة بسحب الهواء للداخل (مستوى ماء منخفض). قم بإزالة الأنبوب وتأكد من أن أنبوب التفريغ خالٍ من أي أتربة. تحقق من أن فلترات الإدخال الأولية (إذا تم تركيبها) خالية من الانسدادات.

8.11 حماية البيئة: يحتوي جهازك على مواد قيمة يمكن استعادتها أو إعادة تدويرها. نرجو منك وضع المنتج عند انتهاء عمر استخدامه في نقطة تجميع مخلفات مدنية محلية مخصصة لهذا الغرض.

## 7. المواصفات الفنية

Supervort 240A 50 Hz 46542	Supervort 140A 50 Hz 46541	Supersub 230A 50 Hz 46540	نموذج المضخة
سنة واحدة			الضمان
CE			الموافقات
قابل للتشغيل المغمور			نوع المضخة
مفتاح التبديل بالعوامة			تحكم المضخة
✓	✓	✓	مقبض الحمل
✓	✓	✓	مفتاح الطفو التلقائي
35 ديسيبيل (من مستوى الفئة A)			ضوضاء عادية
متعدد البروبيلين / فولاد مقاوم للصدأ			هيكل المضخة
بلاستيك			العنفة
شفة مزدوجة			سدادة ميكانيكية
0,82 بار ( 8,3 أمتار)	0,5 بار ( 5,0 أمتار)	0,82 بار ( 8,3 أمتار)	أقصى علو - صمام مغلق
0,68 بار ( 6,9 أمتار)	0,37 بار ( 3,7 أمتار)	0,68 بار ( 6,9 أمتار)	الأداء عند 50 لتر في الدقيقة
0,53 بار ( 5,4 أمتار)	0,24 بار ( 2,4 أمتار)	0,53 بار ( 5,4 أمتار)	الأداء عند 100 دقيقة في الدقيقة
240 لتر في الدقيقة	140 لتر في الدقيقة	230 لتر في الدقيقة	أقصى تدفق
120 مم		90 مم	أقل عمق للغمر
7 متر			أقصى عمق للغمر
120 مم		90 مم	نسبة الشفط تبعاً للعمق المتبقي - الوضع التلقائي
20 مم		5 مم	الحد الأقصى لحجم الجسيمات العالقة
الدنيا 4 درجة مئوية / القصوى 35 درجة مئوية			أدنى / أقصى درجة حرارة للماء
وصلة عداد أنثى 1/2 بوصة			وصلات المضخة - المخرج
1 G ذكر 1/2 x أنثى 25 x أو 32 مم لقطر تجويف الخرطوم			وصلة الخرطوم
محرك حث، مبرحل إعتاق حراري تلقائي الضبط			نوعه
Continuous(S1)			تصنيف الخدمة
تيار متناوب 230 فولت / 1 / 50 هرتز			مصدر الطاقة (فولت من التيار المتردد/ القدرة الحصانية/ هرتز)
466 وات	320 وات	513 وات	معدل استهلاك الطاقة - P1
2.1 أمبير	1.4 أمبير	2.3 أمبير	التيار - الحمل الكامل
5 أمبير			تحمل الفيوز
10 أمتار (تم توصيل الدائرة الكهربائية مسبقاً)			طول كابل الطاقة
IPX8			غلاف الحماية
260 مم			العرض
158 مم			قطر الدائرة
320 مم			الارتفاع (باستثناء التجهيزات)
334 مم		320 مم	الوزن (مع التجهيزات)
5.3 كغ	4.2 كغ	5.3 كغ	
رقم Pt: 19965			ملحقات اختيارية
رقم Pt: 19966			خرطوم مسطح 32 مم × 5 م
رقم Pt: 20363			خرطوم مسطح 32 مم × 10 م
			خرطوم مسطح 32 مم × 15 م*

\* هذا الخرطوم مناسب للارتفاعات 230A Supersub و 240A Supervort فقط.

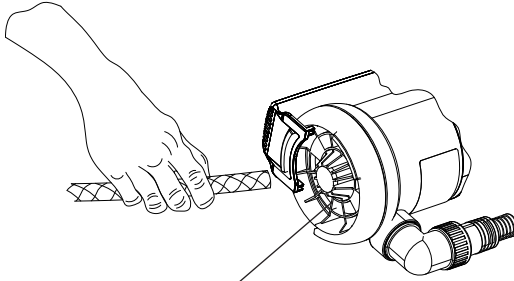
تحتفظ شركة Stuart Turner بحق تعديل المواصفات بما يتوافق مع سياستها المتمثلة في التطوير المستمر لمنتجاتها.

7.11 الضجيج: لا يتجاوز مستوى ضغط الصوت المستمر المكافئ للمضخة مستوى القياس (أ) لضغط الصوت وذلك على مسافة تبعد 1 متر عن المضخة 70 ديسيبيل (أمبير).

يُتبع

## 6. الصيانة

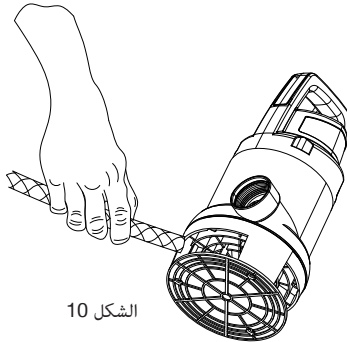
- 6.11 يجب عدم السماح للمياه في المضخة وحولها بالتجمد. قد يتسبب ذلك في تلفها.
- 6.12 يجب توفير الاحتياط للوصول السهل إلى المضخة للسماح بالصيانة الدورية.
- 6.13 يجب التحقق من شبكة فلتر الإدخال الصحيح بشكل دوري وتنظيفها إذا لزم الأمر. من المهم أن تكون الفلاتر نظيفة وخالية من الأتربة حيث يضمن ذلك عمل المضخة بأقصى كفاءة. قد يؤدي الفلتر المسدود إلى إتلاف المضخة.
- 6.14 يجب تنظيف المضخة كما يلي:-
- 6,15 مجموعة Supersub:
- (1) افصل مصدر الإمداد الكهربائي قبل العمل على المضخة.
  - (2) قم بتحرير ضغط النظام من شبكة الأنابيب وقم بإزالة المضخة من الماء (لا تستخدم كابلاً لرفع المضخة).
  - (3) قم بتنظيف شبكات فلتر الإدخال الصحيح باستخدام ضغط الماء من خرطوم الأنبوب (الشكل 7).
  - (4) راجع قسم التحقق للحصول على تعليمات حول إعادة تشغيل المضخة.



الشكل 9 شبكة فلتر الإدخال

6,16 مجموعة Supervort:

- (1) افصل مصدر الإمداد الكهربائي قبل العمل على المضخة.
- (2) قم بتحرير ضغط النظام من شبكة الأنابيب وقم بإزالة المضخة من الماء (لا تستخدم كابلاً لرفع المضخة).
- (3) نظف خلف اللوحة المخصصة لتثبيت أقدم المضخة باستخدام ضغط الماء الصادر من أنبوب الخرطوم (الشكل، 10).
- (4) راجع قسم التحقق للحصول على تعليمات حول إعادة تشغيل المضخة.



الشكل 10

4.22 تطويل سلك الإمداد (المضخة): يتم تزويد المضخات بسلك إمداد مناسب للاستخدام الخارجي وتحت الماء. وفيما يلي مواصفات السلك:

نوع المضخة	نوع السلك	طول السلك (متر)
230A Supersub	G HO7RN-F3 قياس 1.0 ملم مربع	10
140A Supervort	G HO7RN-F3 قياس 0.75 ملم مربع	10
240A Supervort	G HO7RN-F3 قياس 1.0 ملم مربع	10

إذا كان من الضروري استخدام سلك تمديد، فيجب استخدام سلك ذي نوع وتصنيف مناسب. بشكل عام، بالنسبة للمضخات ذات 220 فولت على مسافات تصل إلى 40 مترًا (بما في ذلك طول السلك الأصلي)، يمكن استخدام سلك ذي مواصفات مماثلة كالسلك المثبت في المضخة. بالنسبة للمسافات التي تزيد عن 40 مترًا، قد يتطلب حجم سلك أكبر بسبب انخفاض الفولتية ويجب الحصول على الجهاز بناءً على تفاصيل التركيب. يجب أن تكون أي موصلات أو صناديق توصيل مناسبة بشكل خاص للاستخدام الخارجي ويجب تركيبها وفقًا لتعليمات جهات التصنيع.

يجب حماية أي كابل يمر تحت الأرض وفقًا للمعايير المحلية. 4.23 وصلة إطالة سلك مفتاح التبديل الذي يعمل بعوامة (الطرازات المستخدمة فقط): لا يمكن إطالة سلك مفتاح التبديل الذي يعمل بعوامة.

## 5. التحقق

- 5,11 يجب أن تكون غرفة المضخة مليئة بالمياه في جميع الأوقات. تتلف المضخة في حالة الجفاف.
- 5,12 يجب غمر المضخة بأكملها في الماء قبل بدء التشغيل. توخ الحذر عند غمر المضخة في الماء لضمان طرد جميع الهواء من الغلاف. ويحدث ذلك عن طريق غمر المضخة ببطء مع التحريك برفق أثناء القيام بذلك. سيمكن ذلك من تحرير أي جيوب هواء محبوس.
- 5,13 قم بتشغيل مصدر الإمداد الكهربائي ويجب أن تكون حركة المياه واضحة بشكل فوري من مخرج المضخة. إذا لم يكن الأمر كذلك، فجرب الخطوة 5.12.
- 5,14 للحصول على مزيد من الدعم التقني: اتصل بفريق Stuart Turner TechAssist على الرقم 80 969 31 (0) 44+ لقد تلقى فريقنا تدريباً لمساعدتك وتقديم المشورة لك عبر الهاتف. ملاحظة: عند تركيب المضخات باستخدام معدات أصلية لصانعين آخرين، يُرجى الاتصال بالصانع للحصول على المشورة.

## 4. التركيب الكهربائي

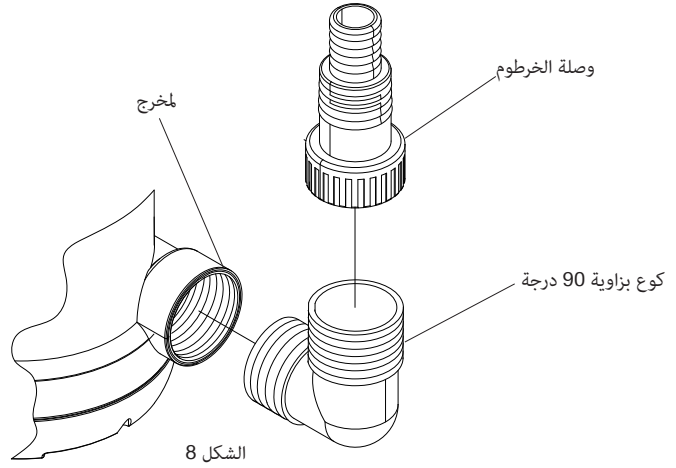


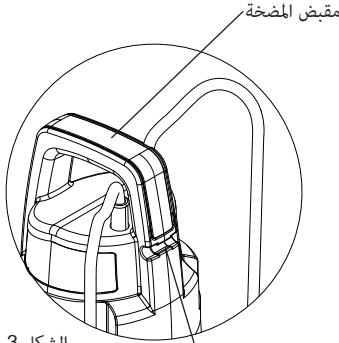
- 4.11 **اللوائح:** يجب إجراء التركيبات الكهربائية وفقاً للوائح الكهربائية الوطنية السارية حالياً وينبغي أن تتم عملية التركيب بواسطة شخص مؤهل.
- 4.12 **السلامة:** من أجل تحقيق السلامة الكهربائية، ينبغي تركيب أداة تعمل بالتيار المتبقي سعة 30 ملي أمبير (الأداة التي تعمل بالتيار المتبقي غير مزودة) في دائرة التزويد بالطاقة. يمكن أن يكون ذا جزءاً من وحدة الاستهلاك أو وحدة منفصلة.
- 4.13 قبل بدء العمل على التزويد بالتيار الكهربائي، تأكد من أن مصدر التزويد بالطاقة معزول.
- 4.14 لقم بعزل جميع الأجهزة الموجودة في الماء من مصدر الإمداد الكهربائي قبل وضع يديك في الماء.
- 4.15 في حال تلف سلك الإمداد الكهربائي، يجب استبداله من قبل شركة Stuart Turner Ltd أو من قبل وكيل خدمات رسمي لتجنب وقوع الخطورة.
- 4.16 إذا كانت المضخة تستخدم لتفريغ حمام سباحة، فيجب عدم استخدامها أثناء تواجد الأشخاص في الماء.
- 4,17 يجب حماية جميع المحركات من الحرارة من خلال استخدام مرحل إعتاق حراري مدمج يمكن إعادة ضبطه بشكل تلقائي على أن يكون مصنفاً بأنه مناسب للاستخدام بشكل مستمر.
- 4,18 **التوصيل الأرضي:** يجب أن يتم تأريض هذا الجهاز جيداً بواسطة سلك الإمداد
- 4,19 التوصيلات: المحرك مزود بسلك إمداد كهربائي وقابس مثبت في المصنع. يجب توصيل هذا القابس بالمصدر الكهربائي الرئيسي عبر مأخذ بمفتاح مزدوج القطبية 10 أمبير يتوافق مع BS 1363-2.
- يجب تركيب المأخذ في مكان يسهل الوصول إليه كما يجب تمييزه في حالة وجود لبس لتسهيل التعرف على مفتاح عزل المضخة.
- 4.20 **توصيل أسلاك وحدة التوصيل:**
- القابس المقبول المثبت في هذا الجهاز غير مقاوم للماء - حافظ عليه جافاً.**
- إذا كان القابس المرفق ليس مناسباً للمأخذ، فيجب قطعه وإتلافه.
- يمثل القابس ذو الأسلاك المرنة المكشوفة خطورته إذا تم تركيبه في مأخذ متصل بالكهرباء.
- تم تلوين الأسلاك الموجودة في قناة الخطوط الرئيسية وفق الترميز التالي:
- بني: مباشر  
أزرق: محايد  
أخضر وأصفر: أرضي
- في حين أن ألوان الأسلاك الموجودة في قناة الخطوط الرئيسية لهذا الجهاز قد لا تتوافق مع العلامات الملونة التي تحدد النهايات الطرفية في وحدة التوصيل الخاصة بك، عندئذ تابع عملك على النحو التالي:
- يجب توصيل السلك الملون باللونين الأخضر والأصفر بالنهاية الطرفية الموجودة في وحدة التوصيل المعلمة بالحرف E أو بالرمز الأرضي: أو بالسلك الملون باللون الأخضر أو باللونين الأخضر والأصفر.
  - يجب توصيل السلك الملون باللون الأزرق بالنهاية الطرفية المعلمة بالحرف N أو الملونة باللون الأسود.
  - يجب توصيل السلك الملون باللون البني بالنهاية الطرفية المعلمة بالحرف L أو الملونة باللون الأحمر.
- 4.21 **المصهر:** ينبغي أن تستخدم مصاهر سعة 5 أمبير مع جميع الطرازات.

### 3. اوصلات المضخة

3.11 تأتي مضخات Supersub و Supervort مزودةً بكوع بزاوية انحناء تبلغ ٩٠ درجة ووصلة خرطوم متدرجة يمكن تثبيتها بمنفذ مخرج المضخة.

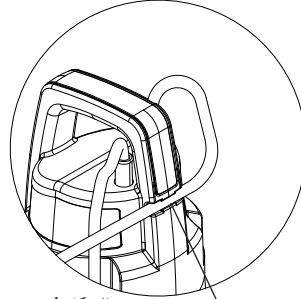
وصلة الخرطوم		الكوع	مخرج المضخة	نوع المضخة
قطر تجويف الخرطوم (مم)	وصلة الخرطوم			
١ G / 32 / 25 م	F ١/٢1 G	١/٢1 x G م ١/٢1 G 90° x	F ١/٢1 G	طرز Supersub
١ G / 32 / 25 م	F ١/٢1 G	١/٢1 x G م ١/٢1 G 90° x	F ١/٢1 G	طرز Supervort





الشكل 3

فتحة تثبيت الكابل

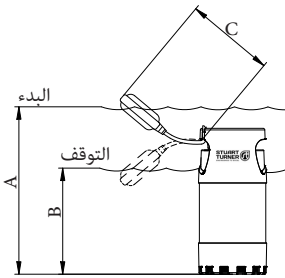


الشكل 4

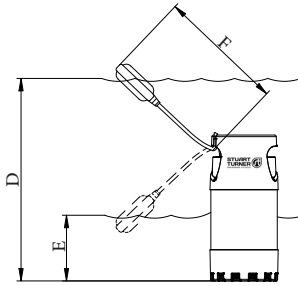
كابل مفتاح الطفو الموضح مشقوق له في موضعه

إذا تطلب الأمر تعديل مستوى الضبط، راجع الشكلين ٧ و٨ والمخطط البياني التالي.

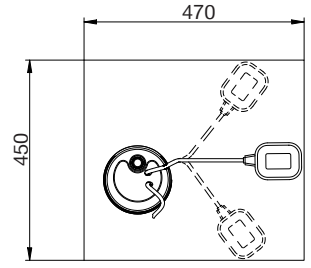
إذا كانت المضخة مطلوبة لتصريف المياه، على سبيل المثال، في قبو، فيجب تركيبها في حوض التجميع، مع الإبقاء على أبعاد كافية لتتيح عمل مفتاح التبديل الذي يعمل بعوامة بحرية (الشكل 7)، مع الحفاظ على الحد الأدنى لعمق المياه كما هو مشار إليه سابقاً. يتم تقييم المضخة بشكل متواصل عند غمرها بالكامل، ولكن يجب تشغيلها لفترات قصيرة فقط (10 دقائق) عند انخفاض مستوى الماء إلى أدنى مستوى. يجب ألا يتجاوز عدد مرات التشغيل 30 مرة في الساعة. ملاحظة: لا يمكن إفراغ حوض التجميع تمامًا، ويجب الحفاظ على الحد الأدنى للعمق (الشكلان 5 و6).



الشكل 5 الحد الأدنى لحركة مفتاح الطفو



الشكل 6 الحد الأقصى لحركة مفتاح الطفو



الشكل 7 الحد الأدنى لحجم الحوض

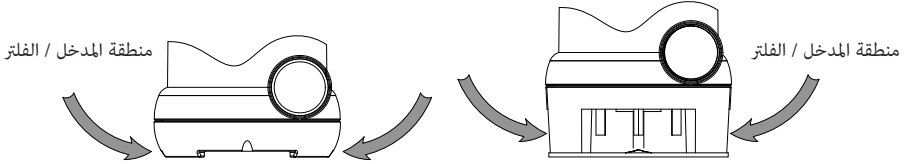
F	E	D	C	B	A	نوع المضخة
كابل (أقصى ضبط)	التوقف (أقصى ضبط)	البداء (أقصى ضبط)	كابل (أدنى ضبط)	التوقف (أدنى ضبط)	البداء (أدنى ضبط)	المضخة 230A Supersub
350	90	480	220	200	400	المضخة 140A Supervort
320	100	460	220	190	410	المضخة 240A Supervort
330	100	490	220	230	440	

يوضح المخطط البياني الحد الأدنى والحد الأقصى لضبط مفتاح التبديل الذي يعمل بعوامة

## 2. المكان - عام



- 2.11 **الوصول:** يجب أن يكون الوصول إلى المضخة سهلاً في حالات الطوارئ ولأغراض الصيانة.
- 2.12 لا تقم بالتشغيل في عكس صمام مغلق لفترات أطول من 5 دقائق.  
يجب عدم السماح للمياه في المضخة وحولها بالتجمد.  
قد يتسبب ذلك في تلفها.
- 2.13 لا تستخدم بأي حال من الأحوال سلك الإمداد الكهربائي المثبت كوسيلة لحمل أو خفض المضخة في موضعها عند التركيب. إلحقه بحبل رفع للتشغيل.
- 2.14 لا تقم بتشغيل المضخة أثناء شفط الهواء فقط حيث سترتفع درجة حرارة المحرك. لمنع حدوث ذلك، قم بتركيب المضخة في وضع رأسي وتأكد من انغمارها بالكامل.
- 2.15 **وضع المضخة:** عند رفع المضخة، تأكد من أن قاعدتها مرفوعة عن الجزء السفلي لحوض الزيت مما يقلل من احتمالية إعاقة الفلتر بسبب الأتربة أو سحب الحجر الصغير (راجع الشكل 2).



الشكل 2

- 2.16 يجب تركيب المضخة في الوضع العمودي ويجب تغطيسها بالكامل في جميع الأوقات عند تشغيلها بشكل مستمر لتجنب ارتفاع درجة حرارة المحرك. يمكن تشغيل المضخة التي يتم التحكم بها بواسطة مفتاح تبديل يعمل بعوامة وهي غاطسة بشكل جزئي لفترات قصيرة (راجع قسم تشغيل مفتاح التبديل الذي يعمل بعوامة لمعرفة التفاصيل).
- 2,17 مضخة Supersub: عند وضع هذه المضخة في مكان يحتمل وجود مخلفات عضوية أو عامة فيه، تأكد من وضع المضخة على قاعدتها على سطح أفقي مسطح (على سبيل المثال، على بلاط الأرضية) لتتمكن شبكة مرشح الإدخال الرئيسية من ممارسة وظائفها الكاملة، والتي بدورها ستمنع الانسداد المتكرر لشبكة مرشح الإدخال الثانوية.
- 2,18 مضخة Supervort: عند وضع هذه المضخات في مكان يحتمل وجود مخلفات عضوية أو عامة فيه، تأكد من رفع القاعدة قليلاً بعيداً عن قاع الحوض (على سبيل المثال، على بلاط الأرضية) لمنع قوة سحب المضخة من سحب الأحجار صغيرة الحجم. سيؤدي هذا إلى تلف المضخة.
- 2,19 تشغيل مفتاح التبديل الذي يعمل بعوامة: يتم تزويد الطرازات المحددة التي تتضمن اللاحقة «أ» بعد رقم الطراز بمفاتيح تبديل يعمل بعوامة لتمكين تشغيلها بشكل تلقائي.  
سيساعدك الدليل التالي على تحقيق أكبر استفادة ممكنة من المضخة.  
يجب عدم تشغيل المضخة مطلقاً في الوضع الجاف، حيث تحتاج إلى عمق مائي لا يقل عن 90 مم مع طراز Supersub و120 مم مع طراز Supervort، طوال الوقت.  
يتم ضبط مفتاح التبديل الذي يعمل بعوامة عن طريق إطالة الكابل أو تقصيره عبر الفتحة المصممة لاحتجاز الكابل، الموجودة في مقبض المضخة (الشكلان 3 و4).  
ملاحظة: عند إدخال الكابل في الفتحة تأكد من تعشيقه بالكامل.



## 1. حقائق مهمة: يرجى القراءة قبل الشروع بتركيب المضخة

### أ. درجة حرارة الماء

يجب التحكم بالماء الذي يدخل إلى المضخة وذلك على النحو التالي:

1.11 يبلغ الحد الأقصى لدرجة الحرارة المسموح بها 35 درجة مئوية.

1.12 يبلغ الحد الأدنى لدرجة الحرارة المسموح بها 4 درجات مئوية.

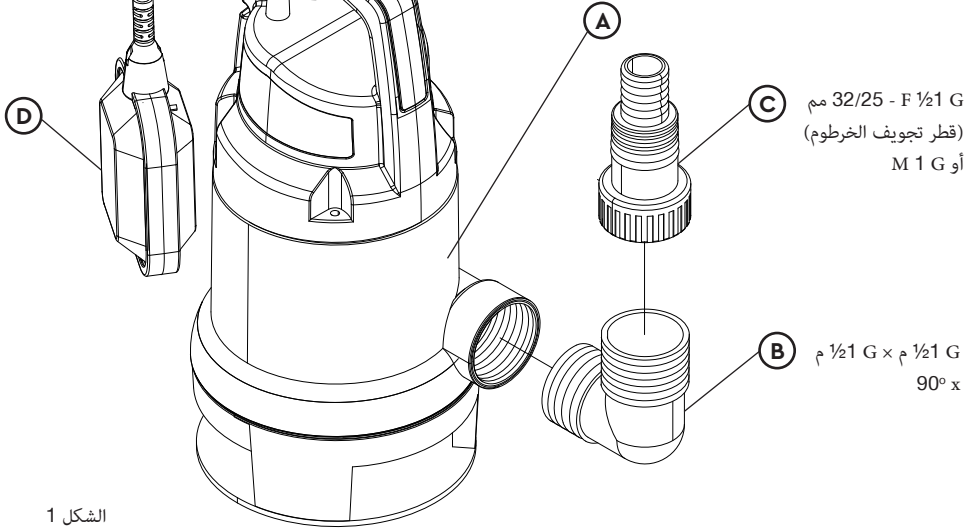
### ب. أعمال الأنابيب - معلومات عامة

1,13 تأتي جميع الطرازات مزودةً بكوع منحنى بزاوية 90 درجة ووصلة خرطوم متدرجة (راجع قسم وصلة المضخة لمعرفة التفاصيل) والتي يمكن تثبيتها براغي مباشرةً في وصلة تفريغ المضخة.

1,14 تتناسب وصلة الخرطوم مع مجموعة من الخراطيم المرنة مختلفة الأحجام ويمكن قصها لتناسب الحجم المحدد. للحصول على أفضل تدفق، استخدم أنبوب مجوف بأكبر قطر ممكن لتقليل الانحناءات أكبر قدر ممكن حتى تصل إلى ما مقداره 90 درجة. إذ أن الأنابيب ذات الأحجام الصغيرة تخفض أداء المضخة.

## قائمة التحقق

هام: عند إزالة المضخة من عبوتها، قم بالتحقق من عدم وجود تلف فيها قبل الشروع في تركيبها. في حال تبين وجود أي تلف، قم بالاتصال بشركة Stuart Turner Ltd في غضون 24 ساعة من الاستلام.



الكمية	الوصف	العنصر	الكمية	الوصف	العنصر
1	الوصلة	(C)	1	المضخة	(A)
1	مفتاح طفو (جزء من المضخة)	(D)	1	الكوع	(B)

قد يختلف شكل منتجك عن المنتج الموجود في الصورة الموضحة أعلاه على نحو بسيط.



- أقصى علو (صمام مغلق)، 8.3 متر (230A Supersub)،
- 5.0 متر (140A Supervort)، 7.4 متر (240A Supervort).
- يحظر تشغيل المضخة جافة.
- في حال حدوث عطل مستبعد في مانع التسرب الميكانيكي، يمكن أن يحدث تلوث في السائل بسبب تسرب مواد التشحيم.
- في حال تلف سلك الإمداد الكهربائي، يجب استبداله من قبل شركة Stuart Turner Ltd أو من قبل وكيل خدمات رسمي لتجنب وقوع الخطورة.

يرجى قراءة تفاصيل التركيب بعناية كونها مخصصة لضمان أن يقوم هذا المنتج بتقديم خدمة لوقت أطول دون أي مشاكل. كما سيؤدي الإخفاق في تركيب هذه الوحدة بما يتوافق مع تعليمات التركيب إلى إلغاء ضمانته.



- يجب عدم استخدام المضخات مع المياه المالحة أو مياه الصرف الصحي أو السوائل القابلة للاشتعال أو السوائل التي تسبب التآكل أو السوائل القابلة للانفجار (مثل النفط أو البنزين أو المخففات) أو الشحوم أو الزيوت أو المواد الغذائية.
- يجب عدم استخدام مجموعة المضخات هذه في أي استخدامات أخرى دون الحصول على موافقة خطية من شركة Stuart Turner Limited، ويجب، بشكل خاص، عدم توصيل المضخة بشكل مباشر على خط الإمداد الرئيسي للمياه.
- يمكن للأطفال البالغين ٨ أعوام فأكثر والأشخاص الذين يعانون من نقص في القدرات البدنية أو الحسية أو العقلية أو يفتقرون إلى الخبرة والمعرفة استخدام هذا الجهاز إذا توفر لهم الإشراف أو التعليمات حول استخدام الجهاز بطريقة آمنة ويمكنوا من فهم المخاطر التي ينطوي عليها استخدام هذا الجهاز.
- يُحظر على الأطفال العبث بالجهاز.
- يُحظر على الأطفال تنظيف الجهاز وصيانته دون إشراف.
- يجب أن تتم عملية التركيب الكهربائي وفق الأنظمة المعمول بها محلياً.
- تحقق من الجهد الكهربائي للموصلات الكهربائية الرئيسية وتحقق كذلك من اتساق التردد مع القيم الموضحة على لوحة تصنيف المضخة.
- من أجل تحقيق السلامة الكهربائية، ينبغي تركيب أداة تعمل بالتيار المتبقي سعة 30 ملي أمبير (الأداة التي تعمل بالتيار المتبقي غير مزودة) في دائرة التزويد بالطاقة. يمكن أن يكون هذا جزءاً من وحدة الاستهلاك أو وحدة منفصلة.
- قبل بدء العمل على التزويد بالتيار الكهربائي، تأكد من أن مصدر التزويد بالطاقة معزول.
- قم بعزل جميع الأجهزة الموجودة في الماء من مصدر الإمداد الكهربائي قبل وضع يديك في الماء.
- يجب أن يتم تأريض هذا الجهاز جيداً بواسطة سلك الإمداد.
- المُحرك مزود بسلك إمداد كهربائي وقابس مثبت في المصنع. يجب توصيل هذا القابس بالمصدر الكهربائي الرئيسي عبر مأخذ مفتاح مزدوج القطبية 13 أمبير يتوافق مع BS 1363-2.
- يمثل القابس ذو الأسلاك المرنة المكشوفة خطورة إذا تم تركيبه في مأخذ متصل بالكهرباء.



- تعليمات التركيب والتشغيل والصيانة باللغة العربية. .... 29
- تعليمات التركيب والتشغيل والصيانة باللغة الإنجليزية (المملكة المتحدة) ..... 2

## تفاصيل المنتج

مضخة غاطسة تعمل بمحرك كهربائي مزودة بخاصية التحكم بواسطة مفتاح تبديل يعمل بعوامة وفق الطرازات المحددة.

## التطبيق

تم تصميم نطاق المضخة الغاطسة بنطاق يسمح لها بإعادة تدوير المياه العذبة وتصريفها ونقلها أثناء الاستخدامات الخارجية أو الداخلية.

تتضمن أنواع الطرازات الموجودة ضمن المجموعة التي تتضمن اللاحقة «A» مجموعة مفاتيح تبديل تعمل بعوامة قابلة للضبط تتيح التحكم التلقائي في المضخة.

مجموعة Supersub: يعد هذا الطراز مناسباً للاستخدام مع المياه النظيفة أو مياه الأمطار أو مياه الصرف الصحي.

ملاحظة: يُقصد بمياه الصرف الصحي المياه المستخدمة في المنازل باستثناء مياه المراحيض، مثل مياه غسل الأطباق ومياه الاستحمام ومياه غسل الملابس.

مجموعة Supervort: تعد هذه المضخات مناسبة للاستخدام مع المياه الملوثة، وهي قادرة على التعامل مع المواد العالقة شبه الصلبة التي يصل قطرها إلى ٢٠ مم. كما أنها مناسبة لجميع الاستخدامات المحددة لمجموعة مضخات Supersub.

## التخزين

إذا لم يتم تركيب هذا المنتج فور استلامه، تأكد من تخزينه في مكان جاف، خال من الصقيع والاهتزاز داخل عبوته الأصلية.

## المحتويات

الصفحة	
لائحة التحقق	26
حقائق مهمة - يرجى القراءة قبل الشروع في التركيب	25
المكان	24
توصيلات المضخة	22
التركيب الكهربائي	21
التحقق	20
الصيانة	19
المواصفات الفنية	18
استكشاف الأعطال وإصلاحها	17
الضمان	16

## NOTES

## NOTES



**DECLARATION OF CONFORMITY**

**Low Voltage Directive – 2014/35/EU**

IEC 60335-1, IEC 60335-2-41

**EMC Directive – 2014/30/EU**

BS EN 55014-1, BS EN 55014-2, BS EN 55022, BS EN 61000-3-2, BS EN 61000-3-3,  
BS EN 61000-4-2, BS EN 61000-4-3, BS EN 61000-4-4, BS EN 61000-4-5, BS EN 61000-4-6,  
BS EN 61000-4-11

**RoHS Directive – 2011/65/EU**

IT IS HEREBY CERTIFIED THAT THE STUART ELECTRIC MOTOR DRIVEN PUMP COMPLIES WITH THE ESSENTIAL REQUIREMENTS OF THE ABOVE E.E.C. DIRECTIVES.

RESPONSIBLE PERSON  
AND MANUFACTURER

STUART TURNER LIMITED  
HENLEY-ON-THAMES, OXFORDSHIRE  
RG9 2AD ENGLAND.

Signed ..... Engineering Manager

Stuart Turner are an approved company to BS EN ISO 9001:2015



Stuart Turner Ltd, Henley-on-Thames, Oxfordshire RG9 2AD ENGLAND

Tel: +44 (0) 1491 572655, Fax: +44 (0) 1491 573704  
info@stuart-turner.co.uk www.stuart-turner.co.uk