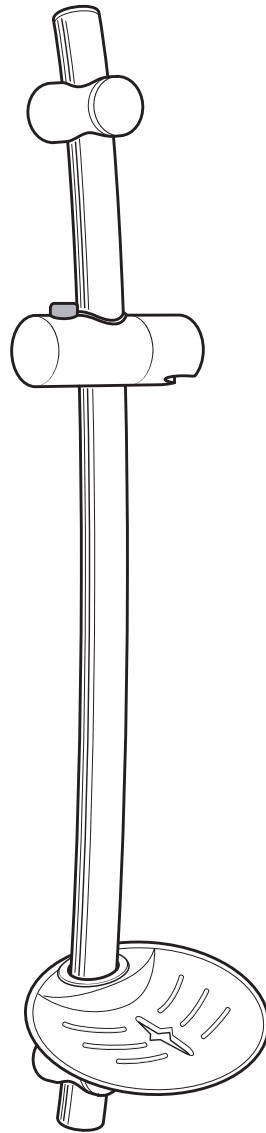


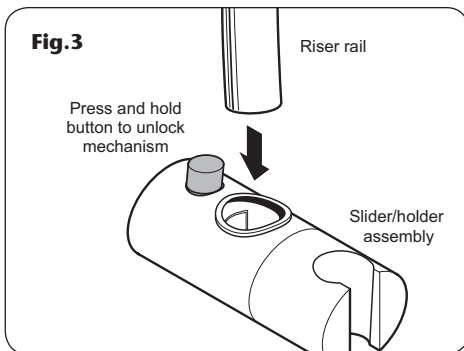
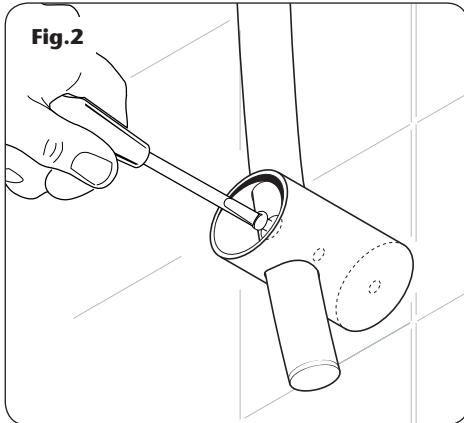
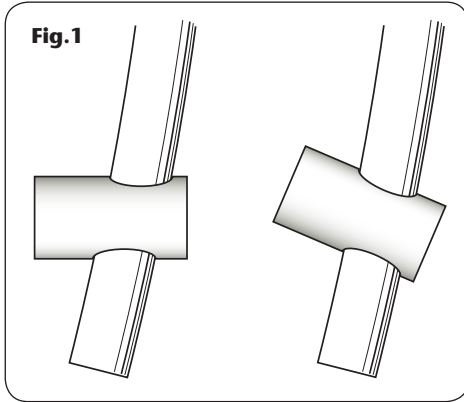
***Kit 4110 Aiden
riser rail assembly***



**Installation
Instructions**

Installers please note these instructions are to be left with the user

FITTING THE AIDEN RISER RAIL ASSEMBLY



WARNING!

Check there are no hidden cables or pipes before drilling holes for wall plugs. Use great care when using power tools near water. The use of a residual current device (RCD) is recommended.

Decide the position for the rail on the wall within the shower area. Proceed as follows:

Offer one of the brackets to the wall. Position the bracket for the lower position and mark the centre hole. Remove the bracket then drill and plug the wall. *(The wallplugs provided are suitable for most brick walls — use an appropriate masonry drill, but if the wall is plasterboard or a soft building block, you must use suitable wallplugs and an appropriate drill bit).*

Slide the lower bracket onto the riser rail. Make sure to fit it the correct way round (**fig.1**). Align the opening in the bracket with the opening in the riser rail and temporarily secure to the wall using the screw supplied (**fig.2**).

Slide the upper bracket onto the riser rail, again making sure to fit it the right way round. Align the holes at the top of riser rail and mark the centre hole. Remove the riser rail assembly from the wall then drill and plug the wall.

Fit the showerhead holder onto the riser rail. Press and hold the button on the top of the holder to release the locking mechanism, then slide the holder onto the rail (**fig.3**). Simply release the button to secure the holder in place.

Slide the soap dish and hose retainer onto the bottom of the riser rail, below the holder (**fig.4**).

Slide the lower bracket onto the riser rail. Make sure to fit it the correct way round (**fig.1**) and secure to the wall but do not tighten at this stage.

Secure the upper bracket in place using the screw supplied. Now tighten both the upper and lower brackets.

Fit the end caps onto both brackets. The end caps will only fit one way. Fit the riser rail trim to the top of the rail.

FITTING THE AIDEN RISER RAIL ASSEMBLY (continued)

FITTING THE HOSE AND SHOWERHEAD

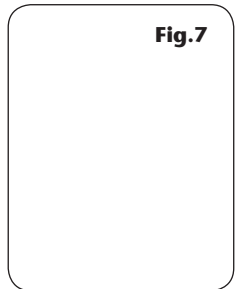
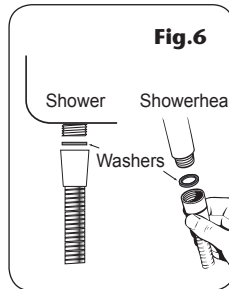
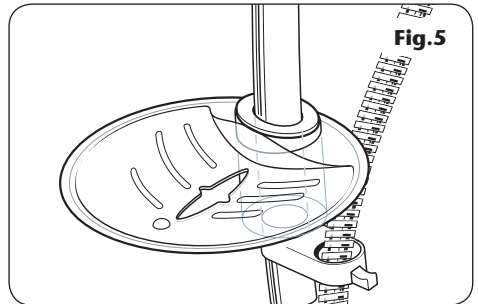
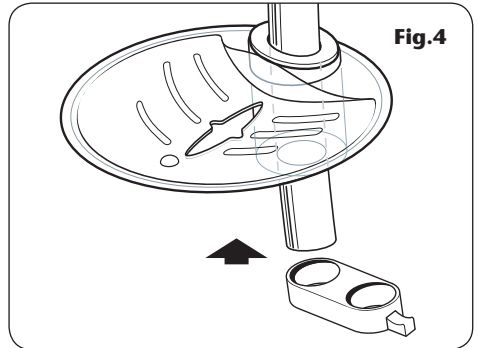
Feed the flexible hose (**fig.5**) through the retaining ring (Water Regulations).

Screw the flexible hose to the shower outlet and showerhead, making sure the supplied washers are in place at both ends of the flexible hose (**fig.6**).

Place the showerhead into the holder and check that it fits correctly (**fig.7**).

Note: The holder is slightly tapered and the showerhead and hose will only fit from one direction.

IMPORTANT: It is the conical end of the hose which grips into the holder. The showerhead will not fit in the holder without the hose attached.



SPARE PARTS

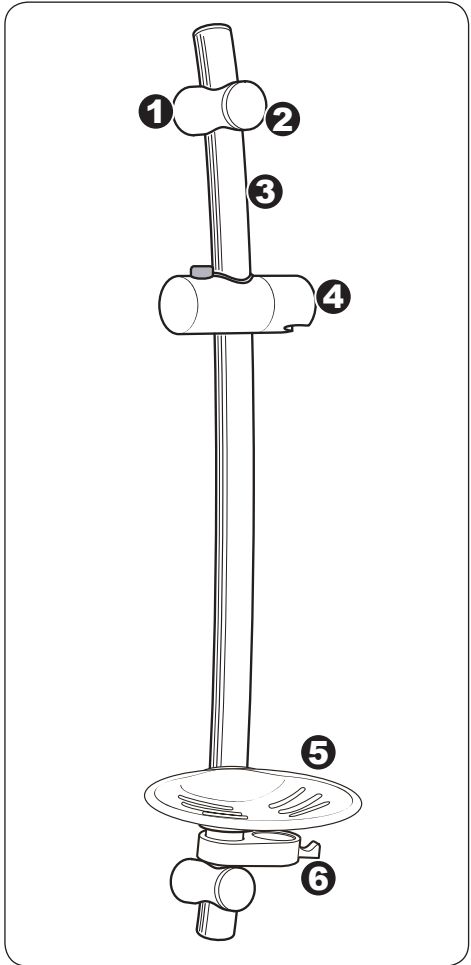
<i>Ref. Description</i>	<i>Part Number</i>
– Kit (without riser rail)	88900002
1. Bracket and trims (pair)	83308480
2. Trim (single) – chrome	83308490
3. Riser rail – chrome	88800002
4. Showerhead holder – chrome	83308410
5. Soap dish	83308420
6. Retaining ring	83308430

Flexible hoses available in the following sizes:

1.00 m in white, chrome and gold

1.25 m in white, chrome and gold

1.75 m in chrome only



Please refer to shower installation and operating instructions for service details. E&OA.